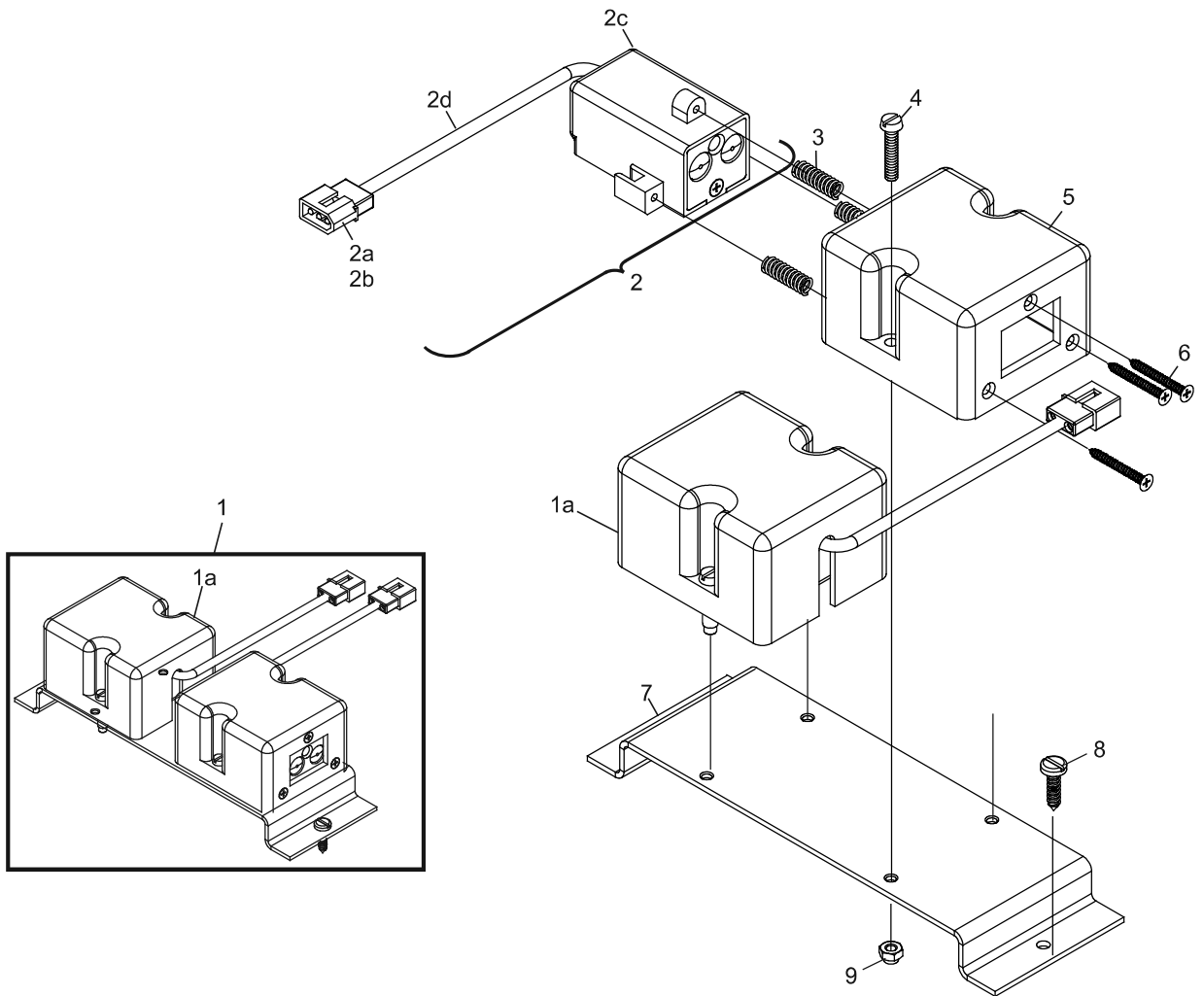


| Index No. | Part No. | Package / Order Reference | Description |
|------------------|-----------------|----------------------------------|--------------------------------|
| 1. | 99-087141-000 | | Ball Detect Assembly Complete |
| 1a. | 99-087140-000 | | Ball Detect Only - Single Unit |
| 2. | 99-087139-000 | | Ball Detect Complete |
| 2a. | 11-680101-000 | | Connector Plug (Molex) |
| 2b. | 11-680302-000 | | Pin (Molex) |
| 2c. | 99-080193-004 | | Ball Detector Box |
| 2d. | 99-080269-004 | | Cable - Ball Detector |
| 3. | 99-080180-004 | | Compression Spring |
| 4. | 11-052211-001 | | Slotted Head Machine Screw |
| 5. | 99-080186-003 | | Ball Detect Housing |
| 6. | 11-086307-001 | | Flat Head Tapping Screw |
| 7. | 99-080213-003 | | Support Bracket |
| 8. | 11-053203-001 | | Tapping Screw |
| 9. | 11-051741-001 | | Metric Hex Locknut |

Ball Detect



Ball Detect