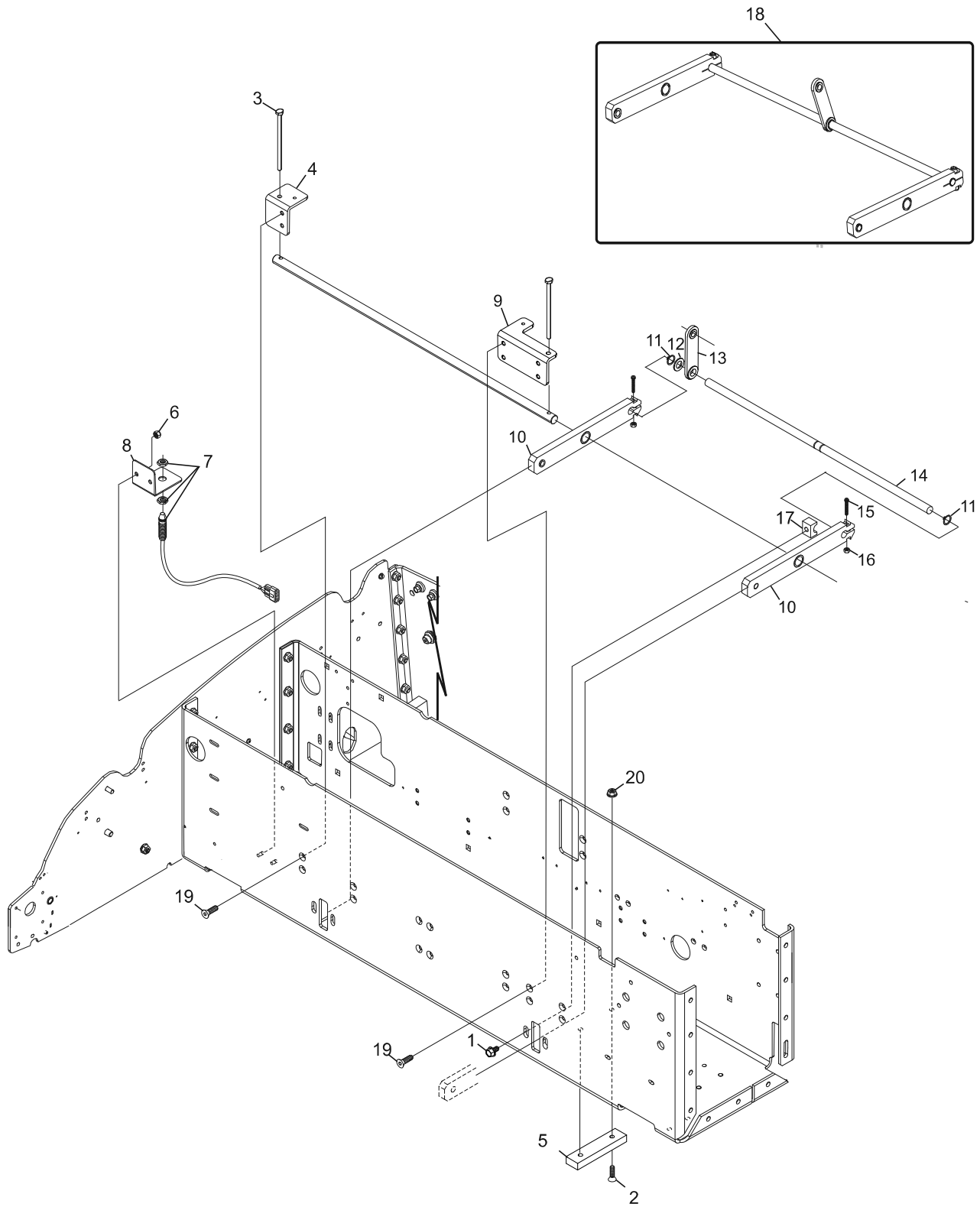


Index

No.	Part No.	Description
1.	11-010787-000	Hex Serrated Flange Head Screw (5/16-18 x 1")
2.	11-007184-015	Hex Head Flange Screw (1/4-20 x 1")
3.	14-101420-015	Hex Head Cap Screw (1/4-20 x 4-1/2")
4.	14-101295-002	Squeegee Adjustment Bracket - R.H.
5.	14-100213-000	Skid Plate
6.	11-170007-015	Locknut w/Nyloc Insert (1/4-20)
7.	14-100254-000	Assembly - Speed Sensor
8.	14-101540-000	Speed Sensor Bracket
9.	14-101295-001	Squeegee Adjustment Bracket - L.H.
10.	14-101060-000	Pivot Arms
11.	11-537051-000	Retaining Ring (external)
12.	11-192576-000	Shim
13.	14-100065-000	Lifting Linkage
14.	14-101061-000	Lift Rod
15.	11-005186-015	Socket Head Cap Screw (1/4-20 x 1-1/4")
16.	11-170007-015	Locknut (1/4-20)
17.	14-101425-000	Squeegee Pivot Block
18.	14-101068-000	Assembly - Squeegee Lift Linkage
19.	11-007180-015	Flat Head Hex Socket Screw (1/4-20 x 5/8")
20.	11-171504-000	Serrated Flange Hex Nut (1/4-20)

Squeegee Linkage System



Squeegee Linkage System