

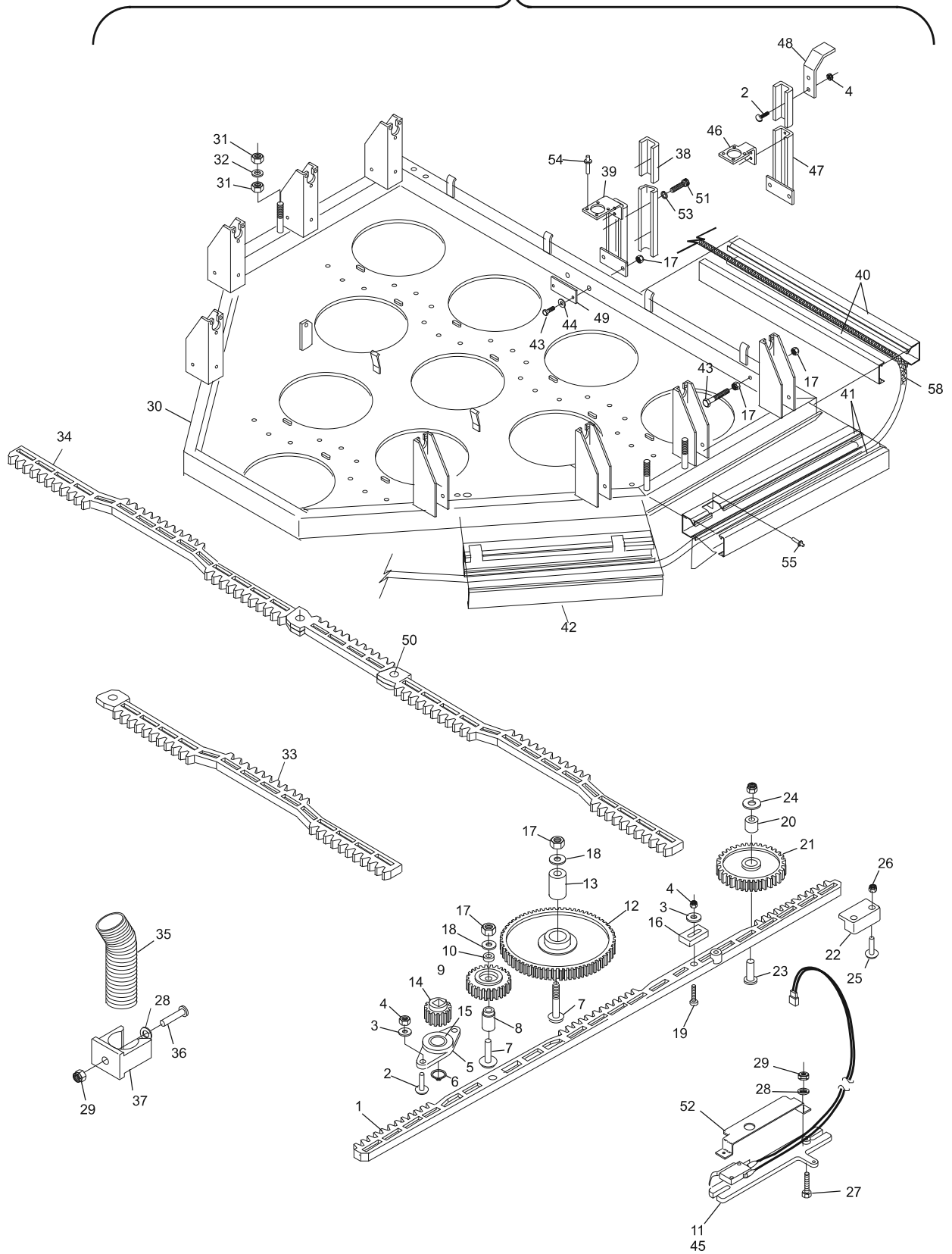
| Index No. | Part No. | Description |
|-----------|---------------|--|
| 1. | 47-051635-001 | Geared Rack |
| 2. | 11-051880-001 | N.A. Truss Hd. Machine Screw (6 mm x 16 mm) |
| | 47-861008-001 | R.O. Truss Hd. Machine Screw (6 mm x 16 mm) Pkg. of 10 |
| 3. | 11-052008-001 | Flat Washer (6.4 mm) |
| 4. | 11-051743-001 | Locknut (6 mm) |
| 5. | 47-051625-004 | Shaft Support |
| 6. | 11-051855-001 | Retaining Ring (10) |
| 7. | 11-051878-001 | Truss Hd. Machine Screw (8 mm x 45 mm) |
| 8. | 47-052021-004 | Spacer Bushing |
| 9. | 47-052020-004 | Gear |
| 10. | 47-052022-004 | Spacer Ring |
| 11. | 99-050230-004 | Switch Complete (red box) |
| 12. | 47-051616-004 | Gear |
| 13. | 47-051617-004 | Spacer Bushing |
| 14. | 47-071615-004 | Square Shaft Gear |
| 15. | 11-430048-000 | Bearing |
| 16. | 47-051682-004 | Stop |
| 17. | 11-051744-001 | Locknut (8 mm) |
| 18. | 11-052003-001 | Flat Washer (8.4 mm) |
| 19. | 11-051028-001 | Hex Hd. Cap Screw (6 mm x 25 mm) |
| 20. | 47-051633-004 | Spacer Bushing |
| 21. | 47-051632-004 | Gear |
| 22. | 47-051634-004 | Holder |
| 23. | 11-051877-001 | Truss Hd. Machine Screw (6 mm x 25 mm) |
| 24. | 11-052037-001 | Flat Washer (6.4 mm) |
| 25. | 11-052362-001 | Sltd. Pan Hd. Machine Screw (5 mm x 20 mm) |
| 26. | 11-051742-001 | Locknut (5 mm) |
| 27. | 11-052353-001 | N.A. Sltd. Pan Hd. Machine Screw (4 mm x 16 mm) |
| | 47-861017-001 | R.O. Sltd. Pan Hd. Machine Screw (4 mm x 16 mm) Pkg. of 20 |
| 28. | 11-052021-001 | Flat Washer (4.3 mm) |
| 29. | 11-051741-001 | Locknut (4 mm) |
| 30. | 47-051875-001 | Setting Table Frame |
| 31. | 11-051707-001 | Hex Nut (16 mm) |
| 32. | 11-051774-001 | Lockwasher (16 mm) |
| 33. | 47-051565-002 | Toothed Rack (front) |
| 34. | 47-053513-009 | Toothed Rack Complete (center) |
| 35. | N.A. | Flexible Plastic Conduit (20 mm x 380 mm) |
| 36. | 11-052209-001 | Sltd. Pan Hd. Screw (4 mm x 16 mm) |
| 37. | 47-054279-004 | Conduit Clamp |
| 38. | 47-052396-004 | Cable Channel |
| 39. | 47-052395-003 | Plug Holder Bracket |
| 40. | 47-052425-003 | Cable Channel |
| 41. | 47-052423-003 | Cable Channel |
| 42. | 47-052424-003 | Cable Channel |
| 43. | 11-051085-001 | N.A. Hex Hd. Cap Screw (8 mm x 45 mm) |
| | 47-861003-001 | R.O. Hex Hd. Cap Screw (8 mm x 45 mm) Pkg. of 10 |
| 44. | 11-051770-001 | Lockwasher (8 mm) |
| 45. | 47-243027-004 | Switch Complete (silver, consolidated and nexgen electronics box) |
| | 99-050330-003 | N.A. Bracket Only |
| 46. | 47-051203-004 | Plug Holder |
| 47. | *N.A. | Cable Channel |
| 48. | 47-051522-004 | Cable Guide |
| 49. | 47-051261-004 | Stiffening Plate |
| 50. | 11-050301-000 | Countersunk Hd. Rivet |
| 51. | 11-051509-001 | Socket Hd. Cap Screw (6 mm x 12 mm) |
| 52. | 47-053812-004 | Switch Protector |
| 53. | 11-051769-001 | Lockwasher (6 mm) |
| 54. | 11-053661-000 | N.A. Rivet (3.2 mm x 9.5 mm) |
| 55. | 11-053660-000 | N.A. Rivet (3.2 x 7.4 mm) |
| | 47-861025-000 | R.O. Blind Rivet (3.2 mm x 7.4 mm) Pkg. of 20 |
| 56. | N.A. | Setting Table Assembly Complete (GS-10 and GS-92, includes Pinholders, Spotting Tongs, & Cables) |
| 57. | N.A. | Setting Table Assembly (GS-96 w/Smart Shark, includes Pinholders, Spotting Tongs, & Cables) |
| 58. | 47-243025-003 | Setting Table Harness Complete (silver box, 4-pin connector) |

N.A. = No Longer Available
R.O. = Replacement Option

* Replaced by Index Nos. 38 and 39.

GS-10 - GS-98 Setting Table and Gears

56
57



GS-10 - GS-98 Setting Table and Gears