

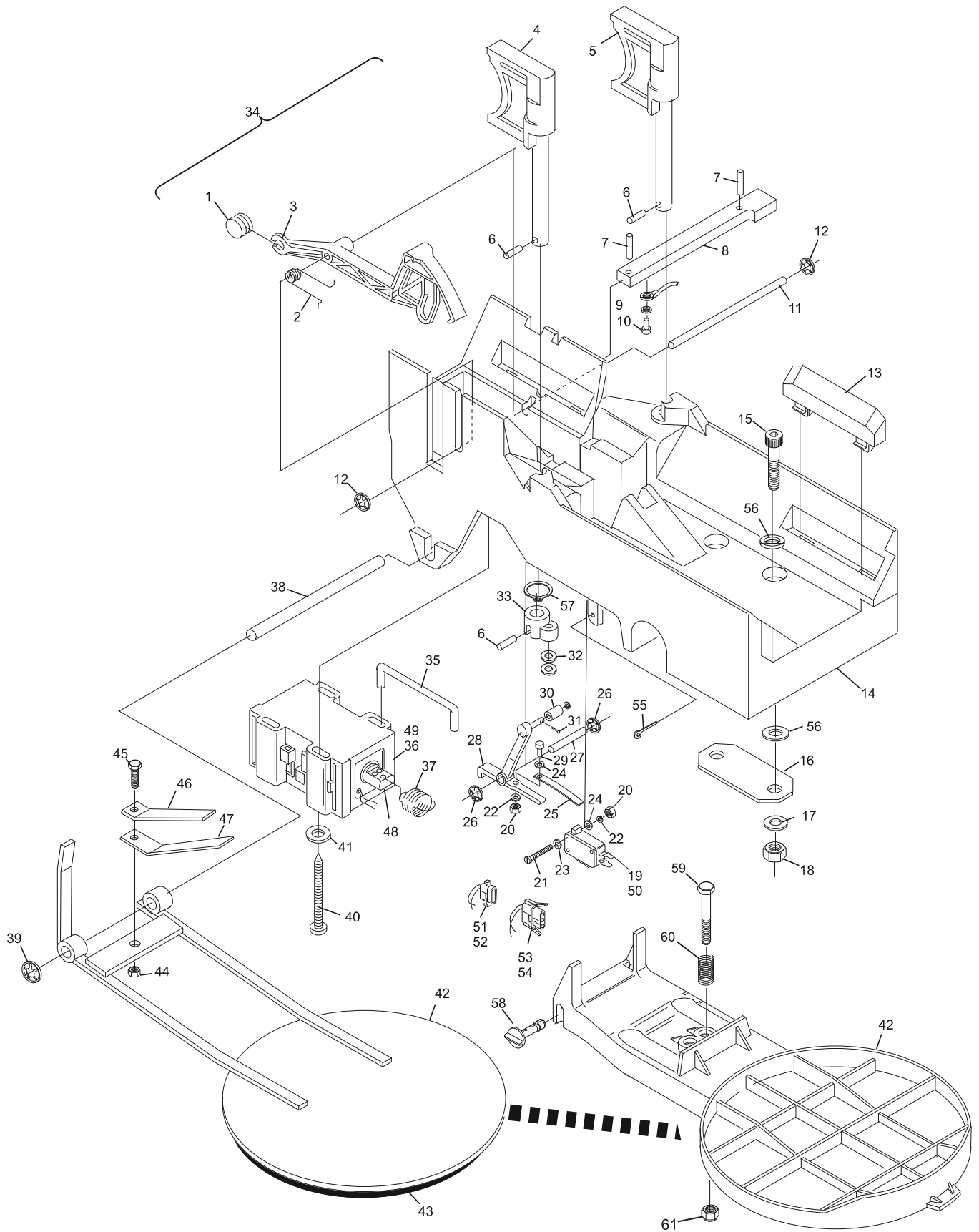
| Index No. | Part No. | Description | Index No. | Part No. | Description |
|-----------|----------------|--|-----------|-----------------|---|
| 1. | 47-052124-004 | Counter Weight | 40. | 11-054776-001 | N.A. |
| 2. | 47-050640-004 | Tension Spring | | | |
| 3. | 47-050665-003 | Switch Finger | | 47-861037-001 | R.O. |
| 4. | 47-052440-004 | R.H. Pin Gripper | | | |
| 5. | 47-052439-004 | L.H. Pin Gripper | | | |
| 6. | 11-052681-001 | Roll Pin (3 mm x 16 mm) | 41. | 11-052039-001 | |
| 7. | 11-052677-001 | Roll Pin (2 mm x 16 mm) | 42. | N.A. | N.A. |
| 8. | *47-050675-004 | Ground Shaft | | | |
| 9. | 11-051767-001 | N.A. Lockwasher (4 mm) - red box only | | **47-054298-001 | R.O. |
| 10. | 11-053776-001 | C.R. Pan Hd. Screw (4 mm x 8 mm) - red box only | 43. | N.A. | Rubber Material Only |
| 11. | 47-050668-004 | Switch Finger Shaft | 44. | N.A. | Locknut (4 mm) |
| 12. | 11-053476-001 | Speed Nut (4 mm) | 45. | N.A. | Hex Hd. Cap Screw (4 mm x 10 mm) |
| 13. | 47-050308-004 | Damper | 46. | N.A. | Flat Spring Support |
| 14. | 47-054689-009 | Pin Holder w/Dampers | 47. | N.A. | Flat Spring |
| | N.A. | Pin Holder w/o Dampers | 48. | 99-060208-004 | Plunger |
| 15. | 11-051535-001 | Socket Hd. Cap Screw (8 mm x 40 mm) | 49. | 99-060242-004 | Solenoid Complete (silver, consolidated and nexgen electronics box) |
| 16. | 47-050676-004 | Bracket | | | |
| 17. | 11-051770-001 | Lockwasher (8 mm) | 50. | 47-053635-004 | Cherry Switch (silver, consolidated and nexgen electronics box) |
| 18. | 11-051704-001 | Hex Nut (8 mm) | | | |
| 19. | 47-052418-004 | Cherry Switch (red box only) | 51. | 11-680302-000 | N.A. Terminal (silver box & universal) |
| 20. | 11-051708-001 | Hex Nut (2.5 mm) | | 57-860032-000 | R.O. Terminal - Male (Pkg. of 10) |
| 21. | 11-052203-001 | Std. Machine Screw (2.5 mm x 20 mm) | 52. | 11-680105-000 | N.A. Connector - 4 Pin (silver box & universal) |
| 22. | 11-051766-001 | Lockwasher (2.5 mm) | | | |
| 23. | 11-052041-001 | Flat Washer (2.7 mm) | 53. | 11-697187-000 | Terminal (red box) |
| 24. | 11-052051-001 | Flat Washer (2.5 mm) | 54. | N.A. | Connector - 3 Pin (red box) |
| 25. | 47-050639-004 | Switch Spring | 55. | 11-051809-001 | N.A. Split Pin (2 mm) |
| 26. | 11-053475-001 | Speed Nut (3 mm) | 56. | 11-052003-001 | N.A. Flat Washer (8.4 mm) |
| 27. | 47-050674-004 | Shaft | | 11-052003-001 | R.O. Flat Washer (8.4 mm) |
| 28. | 47-050670-004 | Switch Finger | 57. | 11-053401-001 | N.A. Snap Ring (8 mm) |
| 29. | 11-052205-001 | Slotted Machine Screw (2.5 mm x 8 mm) | 58. | 47-860005-000 | Pivot Pin (Pkg. of 10) |
| 30. | 47-050671-004 | N.A. Roller Bushing | 59. | 11-051088-001 | Hex Hd. Cap Screw (6 mm x 35 mm) |
| | 47-050670-004 | R.O. Switch Finger | 60. | 47-054708-004 | Pin Deflector Spring |
| 31. | 11-051802-001 | Split Pin (1 mm x 10 mm) | 61. | 11-051743-001 | Lock Nut (6 mm) |
| 32. | 11-052025-001 | Flat Washer (4.3 mm) | | | |
| 33. | 46-050300-004 | Catch | | | |
| 34. | 47-050036-001 | N.A. Pin Holder Complete (red box electrical system) | | | |
| | 47-053850-009 | Pin Holder Complete (universal electrical system) | | | |
| 35. | 47-050266-004 | Connector Link | | | |
| 36. | 99-060218-004 | Solenoid Complete (red box) | | | |
| 37. | 46-050302-004 | Tension Spring | | | |
| 38. | 47-050677-004 | N.A. Shaft | | | |
| 39. | 11-053478-001 | N.A. Speed Nut (8 mm) | | | |
| | 47-861050-000 | R.O. Speed Nut (8 mm) Pkg of 10 | | | |

N.A. = No Longer Available
R.O. = Replacement Option

* Ground Shaft is reversed for L.H. or R.H. Pin Holder Assembly.

** Interchangeable new style

GS-10 and GS-92 Pin Holder Assembly



GS-10 and GS-92 Pin Holder Assembly