

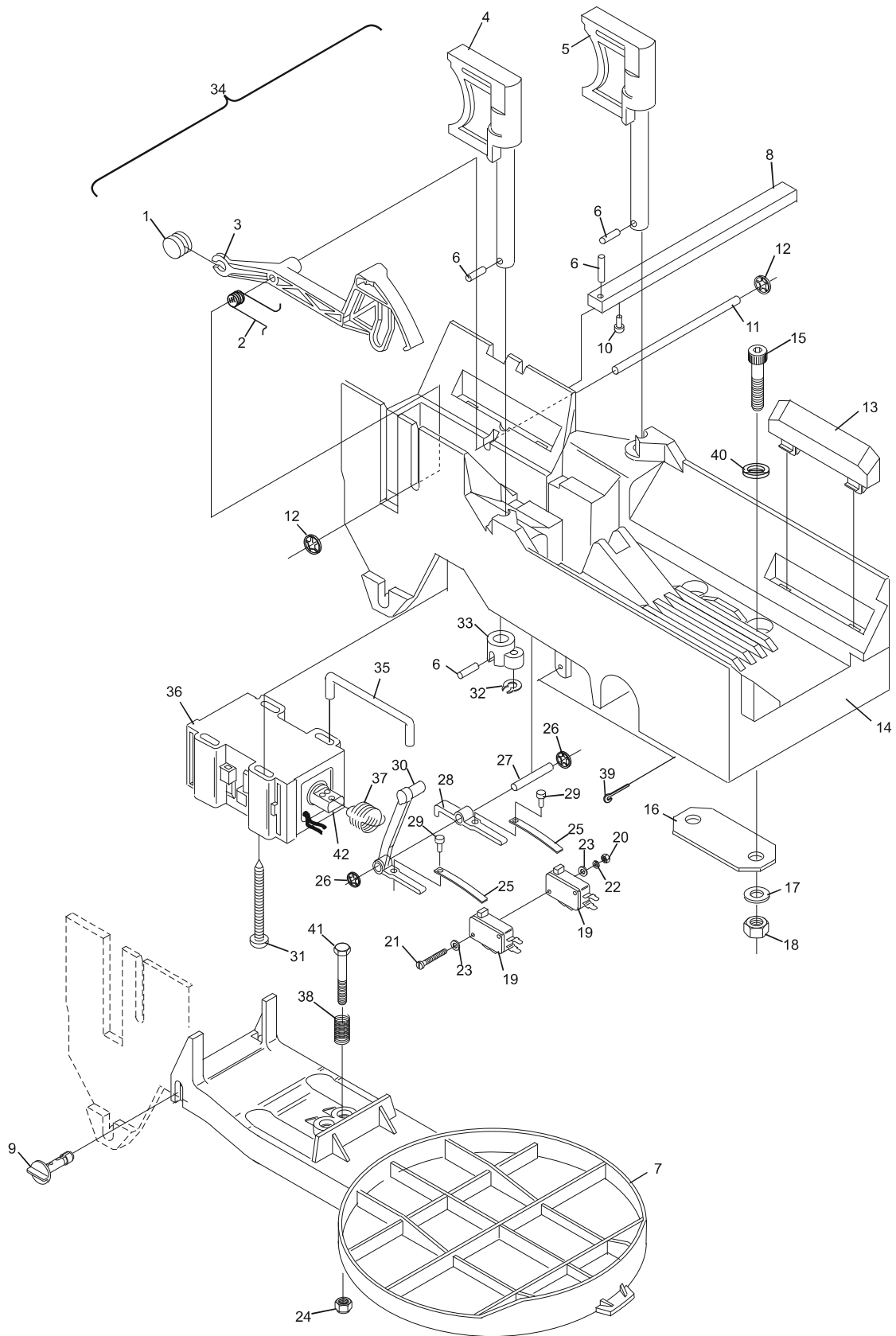
Index		
No.	Part No.	Description
1.	47-052124-004	Counter Weight
2.	47-050640-004	Tension Spring
3.	47-050665-003	Switch Finger
4.	47-052440-004	R.H. Pin Gripper
5.	47-052439-004	L.H. Pin Gripper
6.	11-052681-001	Roll Pin (3 mm x 16 mm)
7.	47-054298-001	Pin Detector Plate w/Pin
8.	*47-050675-004	Ground Shaft
9.	47-860005-000	Pivot Pin (Pkg. of 10)
10.	11-053776-001	C.R. Pan Hd. Screw (4 mm x 8 mm) - red box only
11.	47-050668-004	Switch Finger Shaft
12.	11-053476-001	Speed Nut (4 mm)
13.	47-050308-004	Damper
14.	47-054689-009	Pin Holder w/Dampers
	N.A.	Pin Holder w/o Dampers
15.	11-051535-001	Socket Hd. Cap Screw (8 mm x 40 mm)
16.	47-050676-004	Bracket
17.	11-051770-001	Lockwasher (8 mm)
18.	11-051704-001	Hex Nut (8 mm)
19.	47-053635-004	Micro Switch (single, cherry)
	47-054700-004	Micro Switch (double)
20.	11-051708-001	Hex Nut (2.5 mm)
21.	11-052220-001	Slt'd. Machine Screw (2.5 mm x 30 mm)
22.	11-051766-001	Lockwasher (2.5 mm)
23.	11-052041-001	Flat Washer (2.7 mm)
24.	11-051743-001	Lock Nut (6 mm)
25.	47-050639-004	Switch Spring
26.	11-053475-001	Speed Nut (3 mm)
27.	47-054701-004	Shaft
28.	47-054703-004	Switch Finger
29.	11-055150-000	Slotted Machine Self Tap Screw Plastic (2.5 mm x 5 mm)
30.	47-054702-004	Switch Finger
31.	11-054776-001	N.A. C.R. Pan Hd. Screw (5 mm x 60 mm)
	47-861037-001	R.O. C.R. Pan Hd. Screw (5 mm x 60 mm) Pkg. of 10
32.	11-054500-000	N.A. Grip Ring (4 mm)
	47-861036-000	R.O. Grip Ring (4 mm) Pkg. of 10
33.	46-050300-004	Catch
34.	47-054699-009	Pin Holder Complete
35.	47-050266-004	Connector Link
36.	99-060242-004	Solenoid
37.	46-050302-004	Tension Spring
38.	47-054708-004	Pin Deflector Spring
39.	11-051808-001	N.A. Cotter Pin (1.6 mm x 40 mm)
	47-861034-001	R.O. Cotter Pin - Pkg. 20
40.	11-052003-001	Flat Washer (8.4 mm)
41.	11-051088-001	Hex Hd. Cap Screw (6 mm x 35 mm)
42.	99-060208-004	Plunger

N.A. = No Longer Available

R.O. = Replacement Option

* Ground Shaft is reversed for left-hand or right-hand Pin Holder Assembly.

GS-96 - GS-98 Pin Holder Assembly



GS-96 - GS-98 Pin Holder Assembly