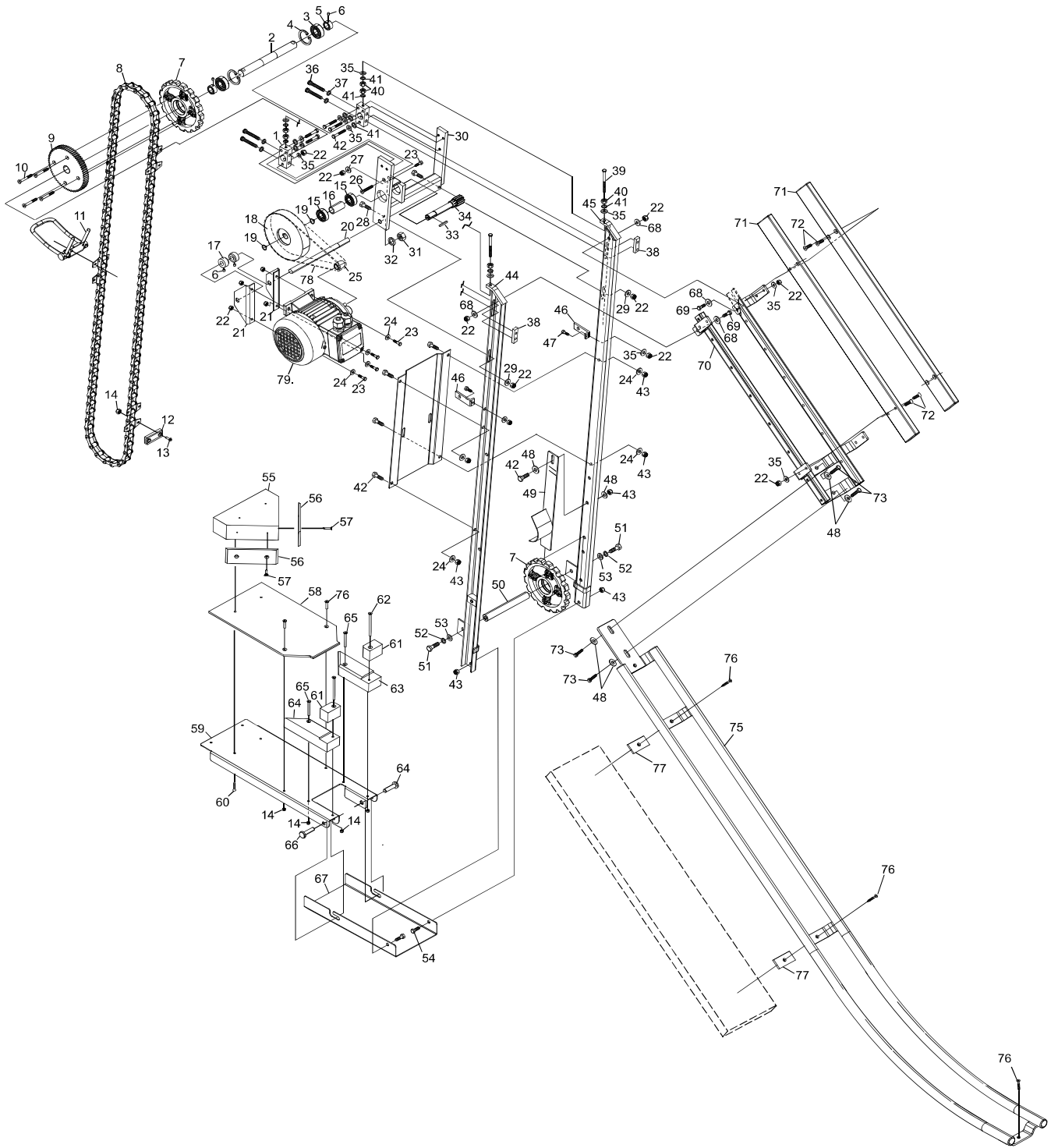


Index No.	Part No.	Package / Order Reference	Description
1.	55-108396-001		Adjustable Block
2.	55-108374-000		Drive Shaft
3.	11-430050-000		Bearing
4.	11-051901-000		Retaining Ring
5.	11-053619-000		Metric Stop Ring
6.	11-053104-000		Set Screw
7.	55-108470-000		Sprocket
8.	55-108389-000		Chain Assembly Complete
9.	55-108480-000		Drive Gear
10.	11-052950-001		Screw - Socket Flat Head (C'Sink)
11.	55-108385-009		Ball Paddle Assembly
12.	55-108366-009		Ball Paddle Stop
13.	11-052947-001		Screw - Socket Flat Head (C'Sink)
14.	11-051742-001		Hex Lock Nut (M5)
15.	11-430006-000		Bearing
16.	55-108393-000		Spacer
17.	11-053622-000		Stop Collar
18.	55-108364-000		Flat Belt Pulley
19.	11-051858-001		External Retaining Ring
20.	55-108400-001		Motor Mount Shaft
21.	55-108399-001		Motor Mount Bracket
22.	11-051743-001		Locknut (M6)
23.	11-051018-001		Hex Head Cap Screw (M6 x 20 mm)
24.	11-052003-001		Flat Washer
25.	55-108541-000		Motor Pulley, 50Hz
26.	11-052954-001		Screw-Socket Flat Head(C'snk)
27.	11-052037-001		Flat Washer
28.	11-051135-001		Hex Head Cap Screw (M6 x 16 mm)
29.	11-052007-001		Flat Washer (M6)
30.	55-108394-000		Drive Mounting Block
31.	11-051706-001		Hex Nut
32.	11-051772-001		Lock Washer
33.	11-053051-000		Key
34.	55-108365-000		Pinion Shaft
35.	11-052008-001		Flat Washer (M6)
36.	11-051525-001		Socket Head Cap Screw (M8 x 45 mm)
37.	11-051770-001		LockWasher (M8)
38.	55-108483-000		Nut Plate
39.	11-051024-001		Hex Head Cap Screw (M6 x 70 mm)
40.	11-051702-001		Hex Nut
41.	11-051769-001		LockWasher
42.	11-051010-001		Hex Head Cap Screw (M8 x 20 mm)
43.	11-051744-001		Locknut (M8)
44.	55-108341-000		LH??
45.	55-108340-000		RH ??
46.	55-108313-000		Elevator "L" Bracket
47.	11-051035-001		Hex Head Cap Screw (M6 x 16 mm)
48.	11-052006-001		Flat Washer
49.	55-108363-000		Paddle Turn Cam
50.	55-108397-001		Lower Drive Shaft
51.	11-051019-001		Hex Head Cap Screw (M10 x 25 mm)
52.	11-051771-001		Lock Washer (M10)
53.	11-052018-001		Flat Washer
54.	11-051038-001		Hex Head Cap Screw (M8 x 16 mm)
55.	55-108324-000		Deflector
56.	55-108325-000		Protector Plate
57.	11-051892-000		Screw Torx Flat Head Wood
58.	55-108321-000		Guide Plate Assembly Mount Plate
59.	55-108320-000		Support for Guide Plate
60.	11-051894-000		Screw Torx Self Counter Sink Head Wood (M5 x 35 mm)
61.	55-108338-000		Bumper
62.	11-052949-001		Screw Socket Flat Head (M5 x 75 mm)
63.	55-108323-000		Bumper RH
64.	55-108322-000		Bumper LH
65.	11-0529XX-001		Screw Socket Flat Head (M5 x 45 mm)
66.	55-108320-000		Guide Plate Pin
67.	55-108318-000		Base Plate
68.	11-052048-001		Flat Washer
69.	11-051028-001		Hex Head Cap Screw (M6 x 25 mm)
70.	55-108331-000		Top Gutter
71.	55-108333-000		Guide Plate
72.	11-052950-001		Screw-Sockety Flat Head(C'snk)_Inst
73.	11-051015-001		Hex Head Cap Screw (M8 x 25 mm)
74.	11-025006-001		Flat Washer
75.	55-108828-000		Step Down Track
76.	11-081201-000		Screw - #10 X 1-1/2" Lg F.D. Robertson
77.	55-108696-000		Vibration Dampener
78.	55-108392-000		Flat Belt
79.	55-108477-000		Motor

## Ball Elevator - Duck Pin



**Ball Elevator - Duck Pin**