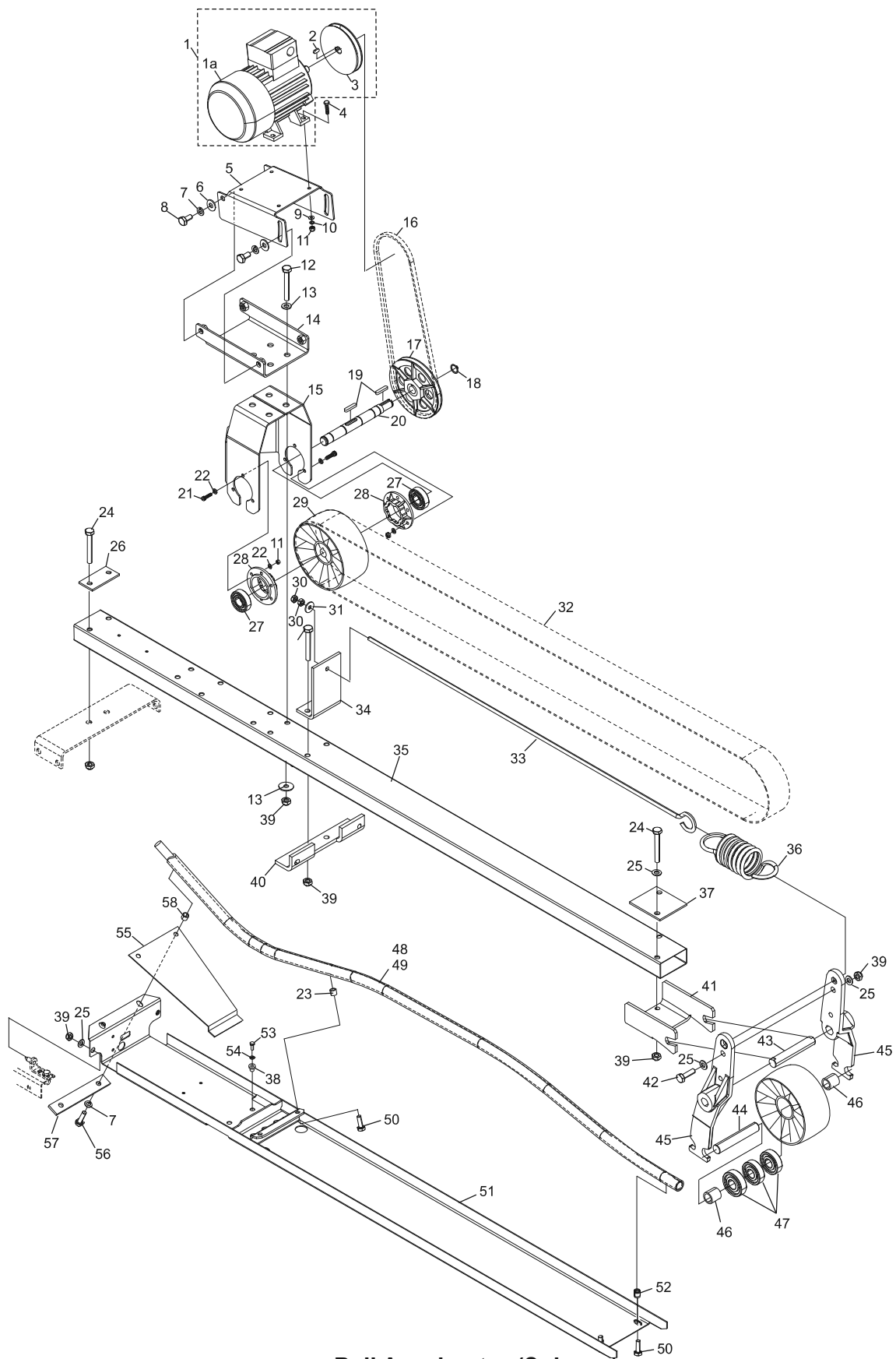


Index No.	Part No.	Package / Order Reference	Description
1.	47-076891-400		Accelerator Motor (380V/400V) w/Cable, Pulley
	1a. 99-076886-000		Accelerator Motor (380V/400V) - Motor Only
1.	47-076891-230		Accelerator Motor (208V/230V) w/Cable, Pulley
	1a. 99-076885-000		Accelerator Motor (208V/230V) - Motor
2.	11-053101-001		Key
3.	47-036703-001		Pulley
4.	11-051028-001		HHCS
5.	47-037451-000		Tension Adjustment Plate
6.	11-052028-001		Flat Washer
7.	11-051771-001		Lockwasher
8.	11-051005-001		HHCS
9.	11-052048-001		Fat Washer
10.	11-051069-001		Lockwasher
11.	11-051743-001		Locknut
12.	11-051087-001		HHCS
13.	11-052050-001		Flat Washer
14.	47-037452-000		Plate
15.	47-036697-001		Bracket
16.	11-053912-000		Belt
17.	47-013956-003		Pulley
18.	11-051852-000		External Tooth Retaining Ring
19.	11-053501-001		Key
20.	47-036700-001		Drive Shaft
21.	11-051515-001		Socket Head Screw
22.	11-052007-001		Flat Washer
23.	47-035214-000		Spacer
24.	11-051093-001		HHCS
25.	11-052018-001		Flat Washer
26.	47-035344-004		Plate
27.	11-430015-000		Bearing
28.	47-014952-003		Collar
29.	47-036701-001		Wheel
30.	11-051704-001		Hex Nut
31.	11-052019-001		Flat Washer
32.	10-635127-000		Flat Belt
33.	47-036705-000		Tension Rod
34.	47-035235-000		Bracket
35.	47-035227-000		Bar
36.	47-031248-004		Spring
37.	47-035345-003		Plate
38.	47-035371-004		Spacer for Ball Accelerator
39.	11-051745-001		Hex Nut
40.	47-035229-000		Shaft Holder
42.	11-051021-001		HHCS
43.	47-035230-004		Shaft
44.	47-035234-004		Wheel Holder
46.	47-035234-004		Spacer
47.	11-430016-000		Bearing
48.	47-035303-000		Guide Tube
49.	47-034730-000		Plastic Tube (cover)
50.	11-051045-001		HHCS
51.	47-035211-000		Tray
52.	47-035212-001		Spacer
53.	11-051035-001		HHCS
54.	11-053602-001		Lockwasher
55.	47-035531-003		Protection Plate
56.	11-051078-000		HHCS
57.	47-035311-004		Flat Bar

Ball Accelerator (SUBWAY)



Ball Accelerator (Subway)