

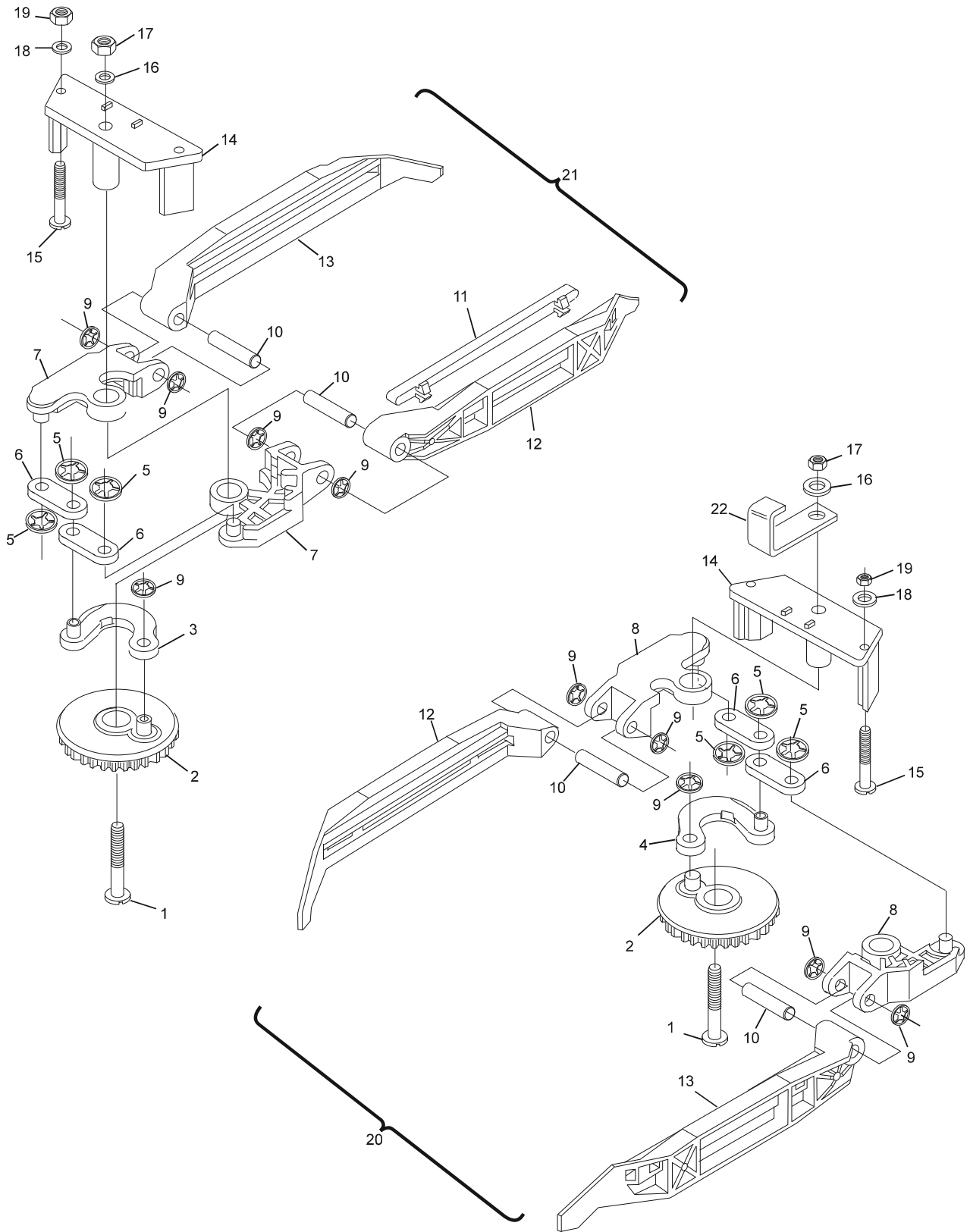
Index No.	Part No.	Description
1.	11-052351-001	S/td. Pan Hd. Machine Screw (6 mm x 55 mm)
2.	47-051760-003	Gear
3.	47-051755-003	Connector
4.	47-053767-003	Connector
5.	11-053479-001	Speed Nut (9 mm)
6.	47-051762-004	Connecting Link
7.	47-051759-004	Pivot Wing
8.	47-053783-004	Pivot Wing
9.	11-053478-001	N.A. Speed Nut (8 mm)
	47-861050-000	R.O. Speed Nut (8 mm) Pkg. of 10
10.	47-051761-004	Shaft
11.	47-051758-003	Damper
12.	47-051757-003	Tong
13.	47-053782-003	Tong
14.	47-051756-004	N.A. Deck Plate
	47-054902-002	R.O.
15.	11-052355-001	S/td. Pan Hd. Machine Screw (5 mm x 55 mm)
16.	11-052048-001	Flat Washer (6,4 mm)
17.	11-051743-001	Locknut (6 mm)
18.	11-052005-001	Flat Washer (5,3 mm)
19.	11-051742-001	Locknut (5 mm)
20.	*N.A.	Spotting Tong Complete (location 1,4,5 & 6)
21.	**N.A.	Spotting Tong Complete (location 2,3,7,8,9, and 10)
22.	47-051575-004	Pin Stop - GS98

N.A. = No Longer Available

* Complete Assembly replaced by 47-055117-009 - also order 1 each 11-054459-000 Screw

** Complete Assembly replaced by 47-055118-009 - also order 1 each 11-054459-000 Screw

GS-10 - GS-98 Spotting Tong Assemblies



GS-10 - GS-98 Spotting Tong Assemblies