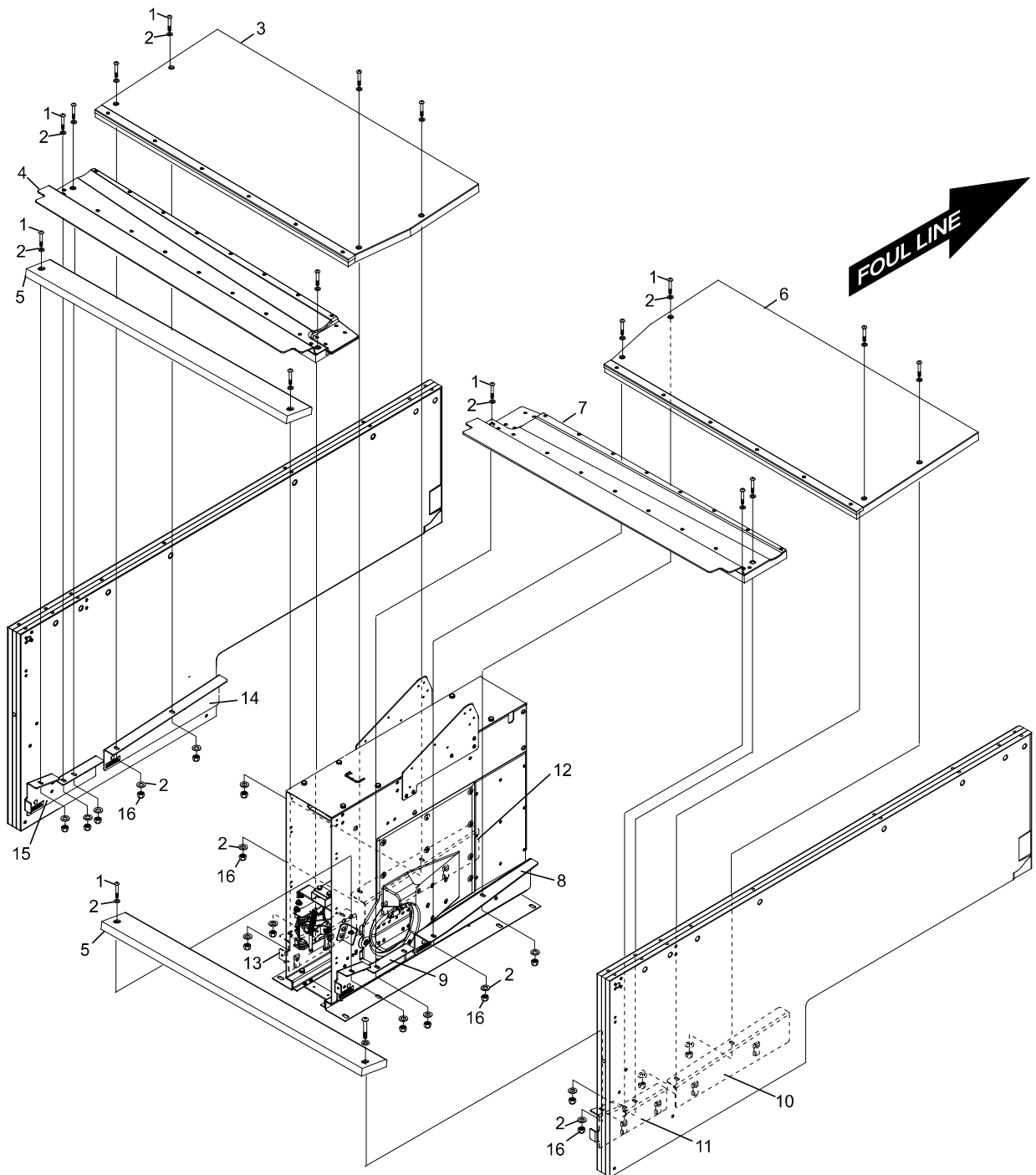


<b>Index No.</b>	<b>Part No.</b>	<b>Package / Order Reference</b>	<b>Description</b>
1.	11-054829-000		Button Head Cap screw (M10 x 50 mm)
2.	11-052018-001		Flat Washer
3.	55-279698-009		Assembly R.H. Front Pit Board
4.	55-279682-009		Pit Board R.H. Rear Front
5.	55-279688-000		Rear Common Pit Board
6.	55-279697-009		Assembly L.H. Front Pit Board
7.	55-279681-009		Assembly Pit Board L.H. Rear Front
8.	55-279694-000		Pit Board Mounting Bracket L.H. Front - Ball Accelerator
9.	55-279690-000		Pit Board Mounting Bracket L.H. Rear - Ball Accelerator
10.	55-279693-000		Pit Board Mounting Bracket L.H. Front - Division Kickback
11.	55-279689-000		Pit Board Mounting Bracket L.H. Rear - Division Kickback
12.	55-279696-000		Pit Board Mounting Bracket R.H. Front - Ball Accelerator
13.	55-279692-000		Pit Board Mounting Bracket R.H. Rear - Ball Accelerator
14.	55-279695-000		Pit Board Mounting Bracket R.H. Front - Division Kickback
15.	55-279691-000		Pit Board Mounting Bracket R.H. Rear - Division Kickback
16.	11-051745-001		Lock Nut (M10 w/Nylon Insert)

## **Pit Frames and Boards - Vacuum Formed**



**Pit Frames and Boards - Vacuum Formed**