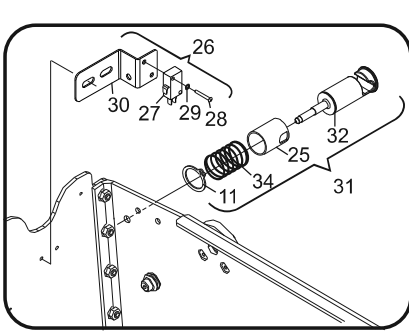
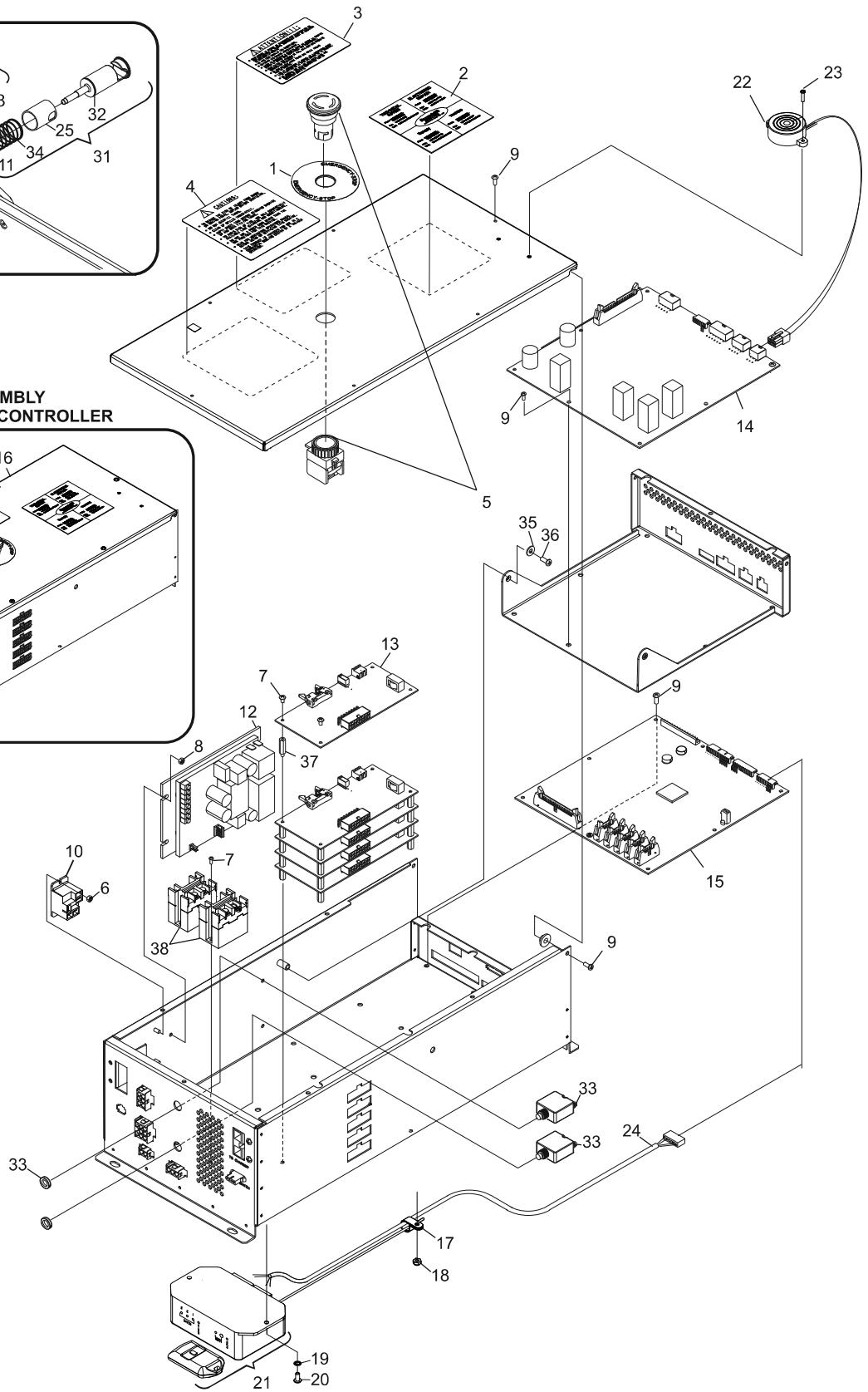
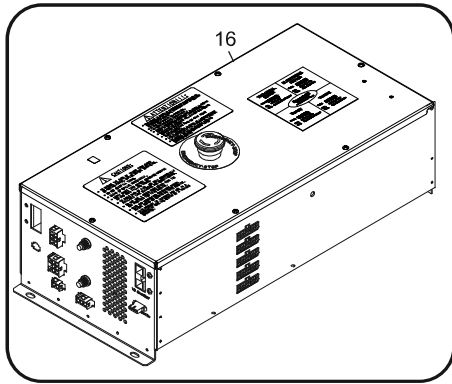


| Index No. | Part No. | Description |
|-----------|---------------|--|
| 1. | 11-900717-000 | Decal - Emergency Stop |
| 2. | 14-100450-000 | Decal - CRC and Warranty Contact |
| 3. | 14-100552-000 | Decal - Cautions and Warnings, French |
| 4. | 14-100146-000 | Decal - Cautions and Warnings |
| 5. | 14-101028-000 | Assembly Emergency Stop Switch |
| 6. | 11-176005-015 | Keps Nut (#6-32) |
| 7. | 11-012021-015 | Screw Pan Head C.R. Int. (#6-32 x 1/4). |
| 8. | 11-176007-015 | Keps Nut (#8-32) |
| 9. | 11-012022-015 | Pan Head C.R. Screw (#6-32) |
| 10. | 11-672528-000 | Power Relay (T9A) |
| 11. | 11-530031-015 | Retaining Ring (external) |
| 12. | 14-100822-000 | Regenerative Drive |
| 13. | 14-100583-000 | V3.0 Injector Driver Board - Assembly |
| 14. | 14-101610-000 | Motor Controller PCB, 24V LM |
| 15. | 14-101102-400 | DC Lane Machine, Controller PCB - Assembly |
| 16. | 14-101014-400 | Electrical Control Enclosure - Complete |
| 17. | 11-603142-000 | Cable Clamp (7/16") |
| 18. | 11-170002-015 | Locknut (#6-32) |
| 19. | 11-199002-015 | Internal Tooth Lockwasher (#8) |
| 20. | 11-006061-015 | Button Head Hex Cap Screw (#8-32 x 3/8") |
| 21. | 14-100907-000 | Remote Stop Receiver and Controller |
| 22. | 14-100945-000 | Audio Beep Indicator - Assembly |
| 23. | 11-012006-015 | Screw w/Lockwasher (#4-40 X 1/2") |
| 24. | 14-101932-000 | DC Controller PCB Remote Receiver Cable |
| 25. | 14-100160-000 | Cord Kill Switch Sleeve |
| 26. | 14-100162-000 | Cord Kill Switch Assembly |
| 27. | 11-616031-000 | Switch |
| 28. | 11-006007-000 | Button Head Cap Screw (#4-40 x 5/8") |
| 29. | 11-170000-015 | Nut (#4-40) |
| 30. | 14-100161-000 | Switch Bracket |
| 31. | 14-100267-000 | Cord Kill Stud Assembly |
| 32. | 14-100159-000 | Cord Kill Switch |
| 33. | 11-696006-000 | Thermal Circuit Breaker (25 Amp) |
| 34. | 11-581012-000 | Spring |
| 35. | 11-900004-015 | Flat Washer (#8) |
| 36. | 11-003078-001 | Socket Head Cap Screw (#8-32) |
| 37. | 11-185323-000 | Stand-Off M/F (#6-32 x 3/4") |
| 38. | 11-672529-000 | Relay |

Electrical Enclosure



**ASSEMBLY
ELECTRICAL CONTROLLER**



Electrical Enclosure