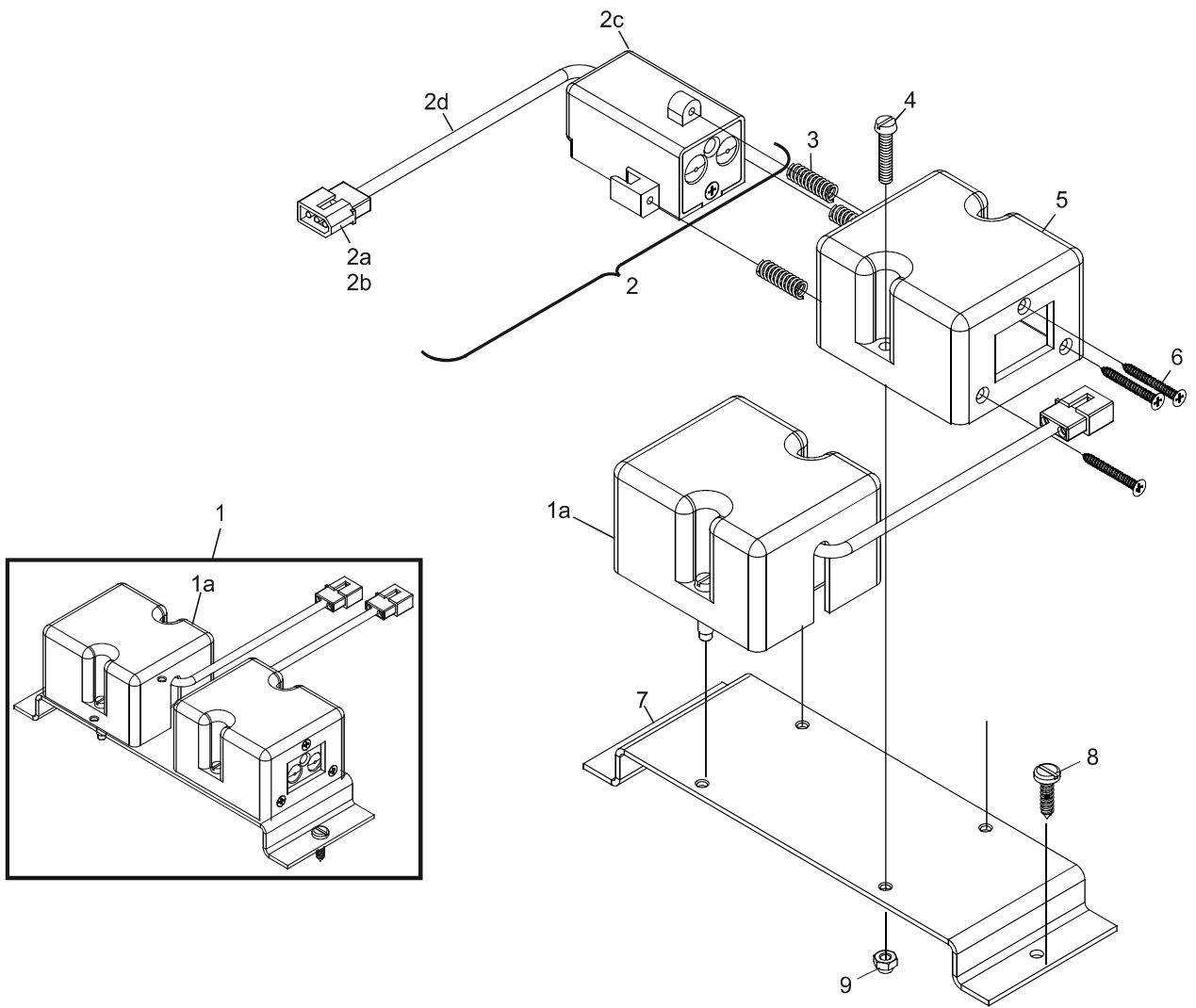


Index No.	Part No.	Package / Order Reference	Description
1.	99-087141-000		Ball Detect Assembly Complete
1a.	99-087140-000		Ball Detect Only - Single Unit
2.	99-087139-000		Ball Detect Complete
2a.	11-680101-000		Connector Plug (Molex)
2b.	11-680302-000		Pin (Molex)
2c.	99-080193-004		Ball Detector Box
2d.	99-080269-004		Cable - Ball Detector
3.	99-080180-004		Compression Spring
4.	11-052211-001		Slotted Head Machine Screw
5.	99-080186-003		Ball Detect Housing
6.	11-086307-001		Flat Head Tapping Screw
7.	99-080213-003		Support Bracket
8.	11-053203-001		Tapping Screw
9.	11-051741-001		Metric Hex Locknut

Ball Detect



Ball Detect