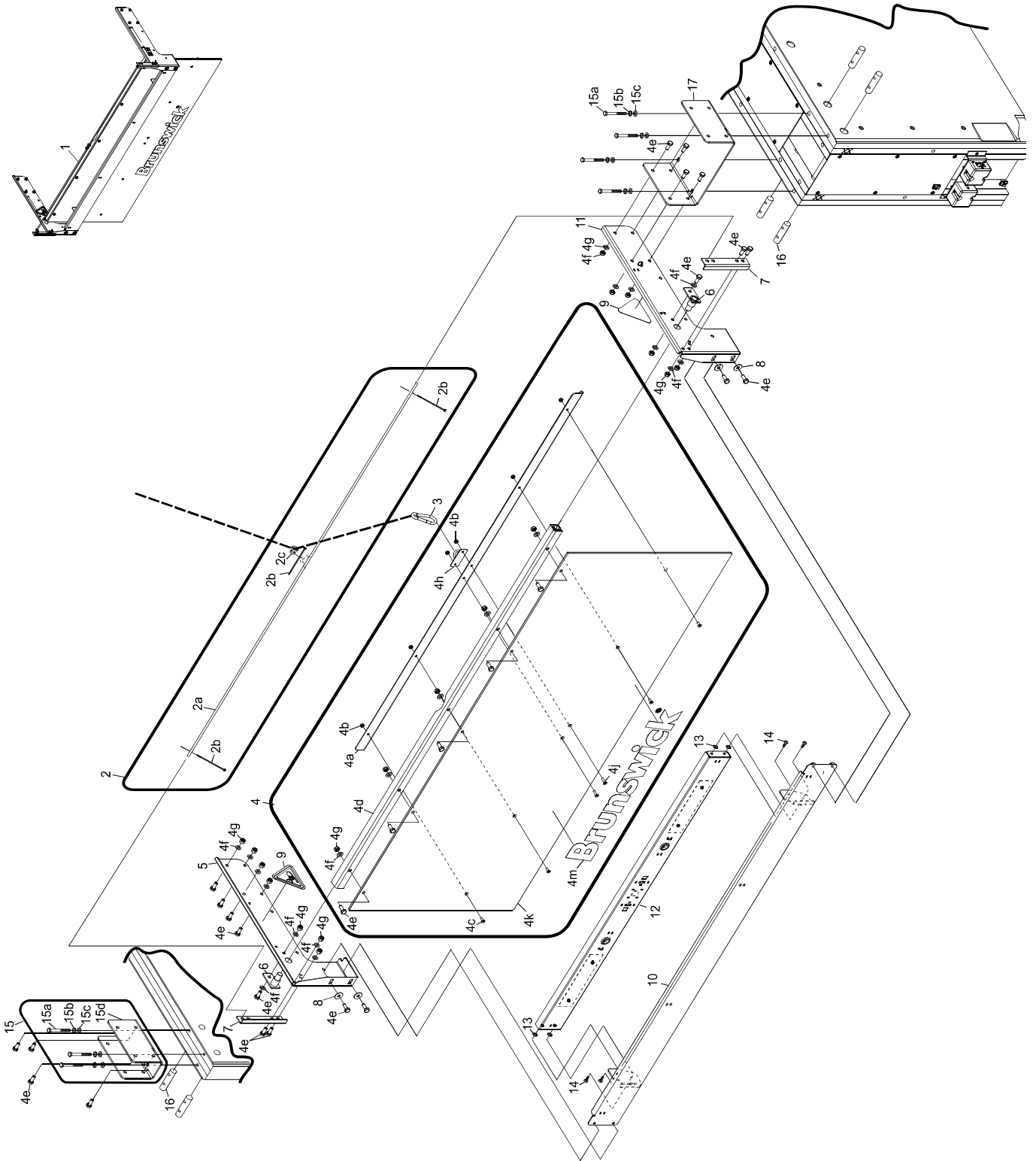


Index No.	Part No.	Package / Order Reference	Description
1.	55-279195-009		Front Gate Package - does not include index No. 12
2.	55-277826-000		Assembly Elastic String
	2a. 55-277826-000		Elastic String
	2b. 11-603119-000		Cable Tie
	2c. 11-599006-000		Snap Hook
3.	11-599005-000		Snap Ring
4.	55-279193-009		Assembly Front Gate
	4a. 55-279211-000		Cross Support
	4b. 11-052742-000		Locknut (M5)
	4c. 11-051947-000		Flat Socket Head Cap Screw
	4d. 55-279194-000		Front Gate Support
	4e. 11-051010-000		Hex Head Cap Screw
	4f. 11-052003-000		Flat Washer
	4g. 11-051744-000		Lock Nut (M8)
	4h. 11-056301-000		Clasp Eyepad
	4j. 11-052953-000		Flat Socket Head Cap Screw
	4k. 55-279193-000		Gate Board Plate
5.	55-279209-000		L.H. Front Gate Holder
6.	55-279207-000		Fixing Pin
7.	55-277827-000		"L" Bracket
8.	11-052019-000		Flat Washer
9.	99-268201-003		"Pinch Point" Safety Label
10.	55-279210-000		Pin Light Holder
11.	55-279208-000		RH Front Gate Holder
12.	57-501526-000		Nitro Deck Lite Dual Color
	57-501524-000		Nitro Deck Lite Multi Color
13.	11-052023-021		External Tooth Lock Washer
14.	11-053788-015		Pan Head Screw (M5 x 12 mm)
15.	55-279350-009		Package - Front Gate Support, LH - includes index Nos. 15a, 15b, 15c, and 15d
	15a. 11-051054-001		Hex Head Cap Screw (M8 x 60 mm)
	15b. 11-051770-001		Lock Washer
	15c. 11-052003-000		Flat Washer
	15d. 55-279337-000		Front Gate Support, LH
16.	84-200073-000		Barrel Nut
17.	55-277934-000		Front Gate Support - Ball Return

Front Gate / Pinlight



Front Gate / Pinlight