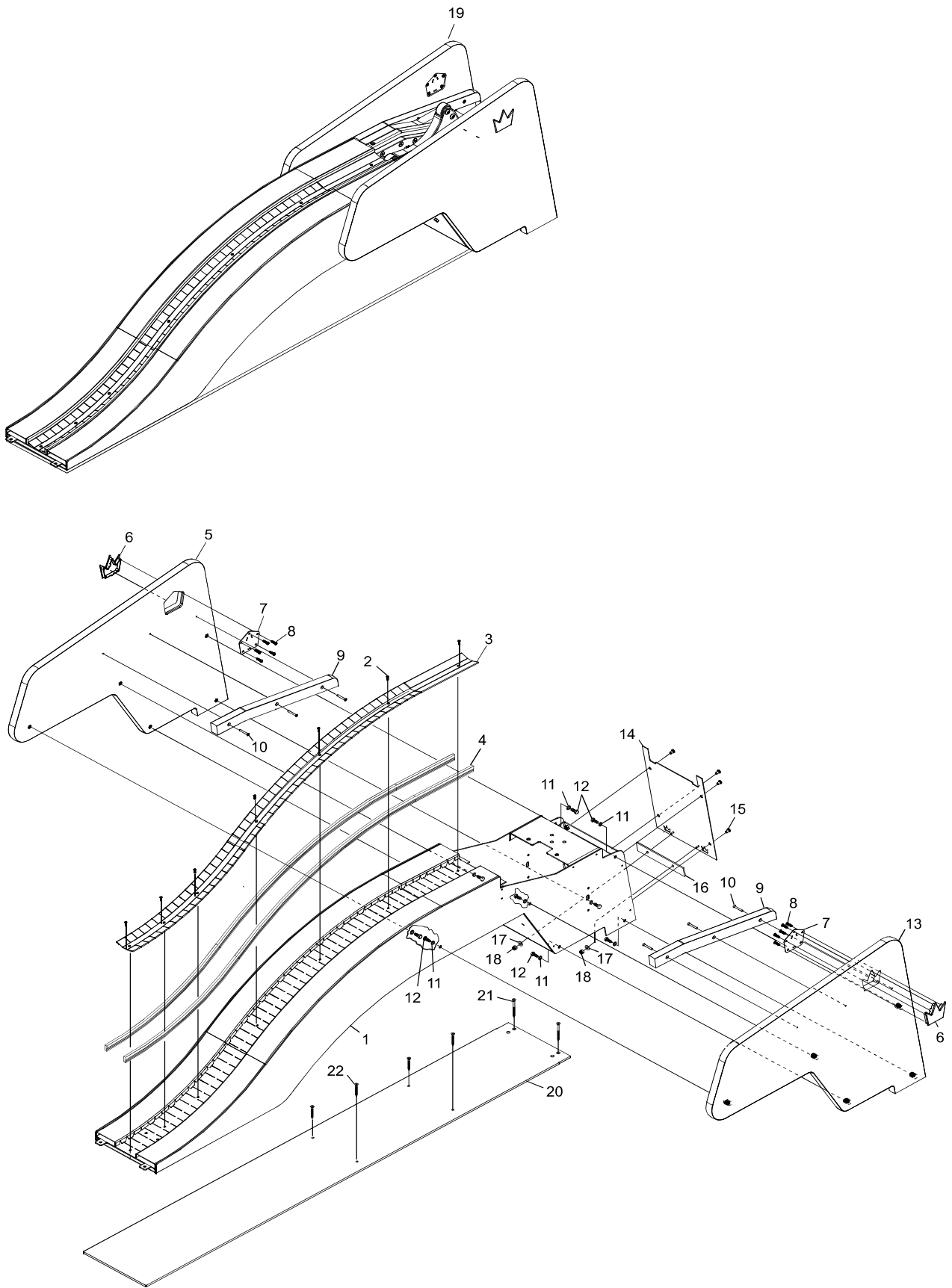


Index

No.	Part No.	Description
1.	3-400782-000	Ramp Weldment Assembly
2.	11-052570-000	Flat Head Screw (M4 x 14 mm)
3.	53-400835-000	Curved Stainless Trim
4.	53-400837-001	Track Rubber
5.	53-400862-000	Decorative Side L.H.
6.	53-400720-100	Crown Hood Logo
7.	53-400806-000	Plate
8.	11-082688-021	Phillipps Pan Head Screw (#10 x 3/4")
9.	53-400895-000	Filler Strip
10.	11-081201-000	Robertson Screw (#10 x 1-1/2")
11.	11-051066-001	Hex Head Cap Screw
12.	11-051770-001	Lock Washer
13.	53-400863-000	Decorative Side L.H.
14.	53-400786-000	Access Panel
15.	11-054814-009	Button Head Cap Screw (M8 x 16 mm)
16.	53-400848-000	Lens Tel -E-Foul
17.	11-052021-001	Flat Washer
18.	11-051741-001	Locknut (M4)
19.	53-400774-000	Ramp Surface Return - Assembly
20.	53-400836-000	Bottom Plate
21.	11-081204-000	Robertson Screw (#10 x 2-1/2)
22.	11-081201-000	Robertson Screw (#10 x 1-1/2)

Surface 10-Pin Ball Ramp



Surface 10-Pin Ball Ramp