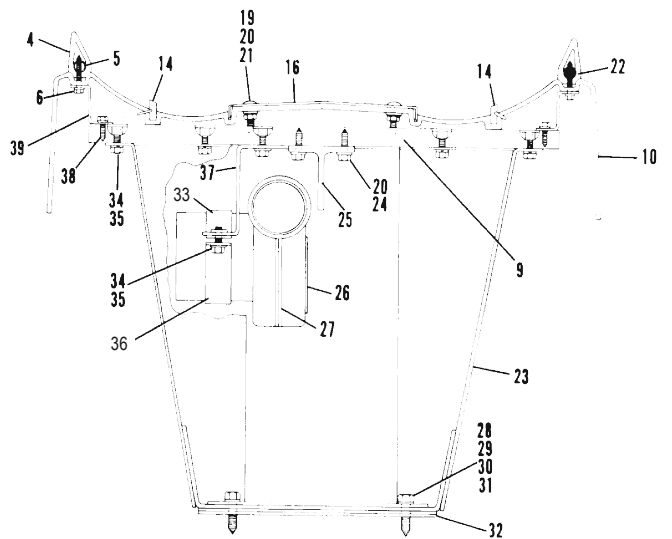
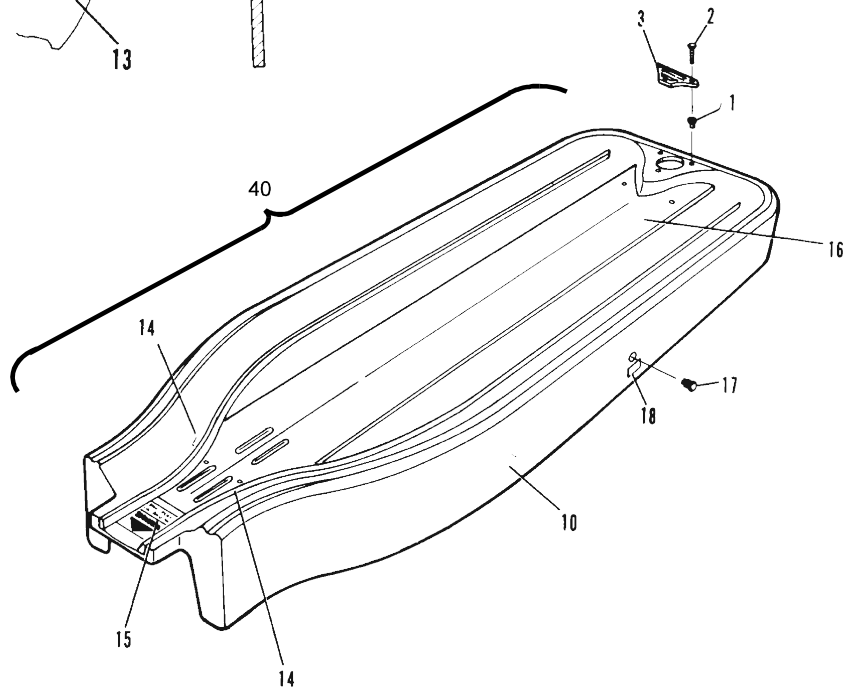
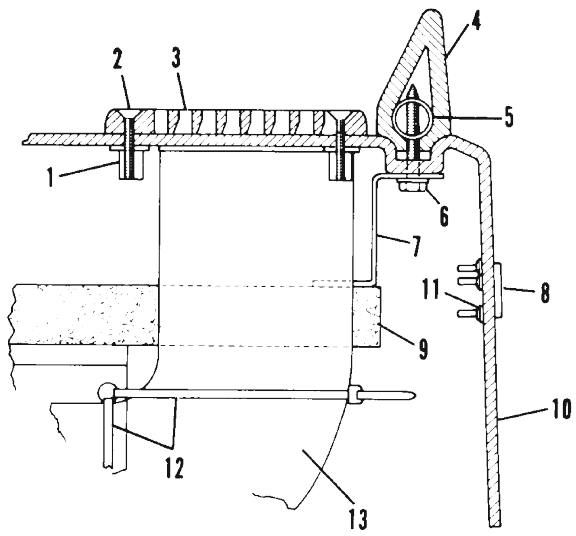


Index		
No.	Part No.	Description
1.	11-135501-000	Well Nut (6-32)
2.	11-014026-004	C. R. Flat Hd. Machine Screw (6-32 x 5/8")
3.	53-100410-000	N.A. Bezel
4.	53-100403-000	Bumper Strip
5.	53-100411-000	N.A. Retaining Tube
6.	11-081012-001	Self Tapping Hex Hd. Washer Screw (#10 x 1-1/4")
7.	53-100414-003	N.A. End Support Bracket
8.	53-100424-000	N.A. Name Plate - "Brunswick"
9.	53-100408-000	N.A. Support Panel Assembly
10.	53-100484-000	N.A. Ball Rack Only
11.	N.A.	Push On Fastener
12.	N.A.	Cable Tie
13.	53-100415-000	Hand Dryer Hose (32")
14.	53-100204-004	Outside Ball Track
15.	53-100419-000	Warning Decal
16.	53-100483-000	N.A. Center Ball Track
17.	11-615019-000	Reset Button
18.	53-100050-000	Decal - "Reset"
19.	54-100107-002	N.A. T.Hd. Nib Screw (1/4-20 x 1-1/8")
20.	11-190010-001	Flat Washer (1/4)
21.	11-176000-001	Keps Nut (1/4-20)
22.	53-100224-000	Stem Buttons
23.	N.A.	Pedestal Assembly
24.	N.A.	Hex Hd. Lag Screw (1/4 x 1-1/4")
25.	53-100407-000	N.A. Ball Rack Support Frame
26.	53-100276-002	Fan Screen
27.	53-100278-000	Blower Assembly (24V)
28.	11-070563-001	N.A. Hex Hd. Lag Screw (3/8-7 x 1-1/2)
29.	11-190014-001	Flat Washer (3/8)
30.	11-195016-001	Lockwasher (3/8)
31.	11-190522-001	Special Washer
32.	N.A.	Shim
33.	53-100040-091	N.A. Lower Clamp
34.	11-001182-001	Hex Hd. Cap Screw (1/4-20 x 3/4")
35.	11-195014-001	Lockwasher (1/4)
36.	53-100043-000	Upper Clamp
37.	53-100413-020	N.A. Fan Mounting Clamp
38.	N.A.	Self Tapping Hex Hd. Washer Screw (#12 x 3/4")
39.	53-100414-002	N.A. Side Support Bracket
40.	53-860675-000	N.A. Complete Assembled Ball Rack - includes Pedestal Assembly (Item #23)

N.A. = No Longer Available

"2000" Twinline II Ball Rack



"2000" Twinline II Ball Rack