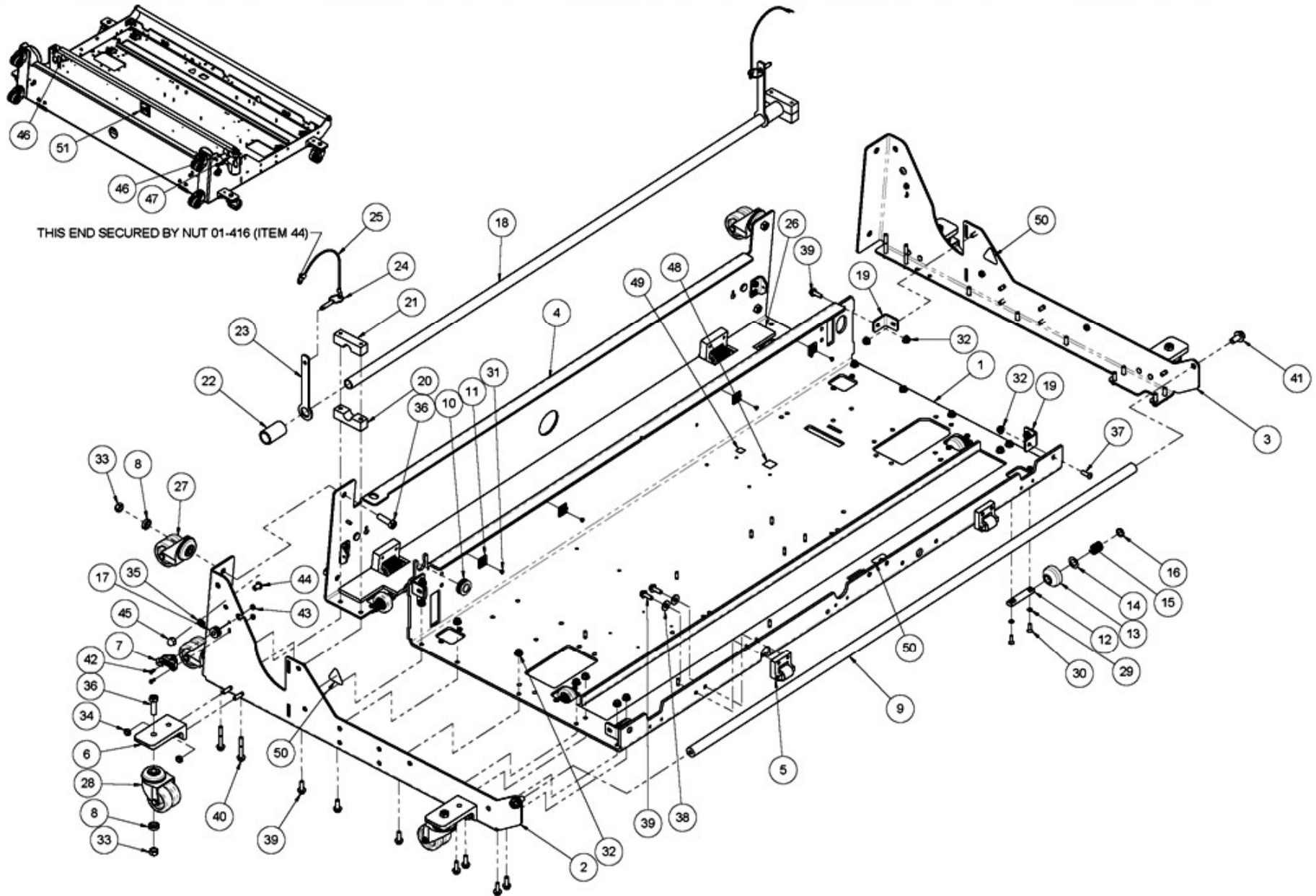


## **FRAME and BODY**

### Frame Assembly – Base Plate and Side Plates



**Frame Assembly – Base Plate and Side Plates**

	<b>NUMBER</b>	<b>DESCRIPTION</b>
1	294-116-001	BASE PLATE ASSEMBLY
2	294-116-003	SIDE PLATE ASSEMBLY, RIGHT HAND
3	294-116-005	SIDE PLATE ASSEMBLY, LEFT HAND
4	294-116-008	REAR PLATE ASSEMBLY
5	SA-3012	DUSTER END PLATE ROLLER
6	294-115-613	CASTER BRACKET, 2-INCH
7	A-2037	POWER CABLE HOOK
8	A-0794	CASTER SPACER
9	294-116-013	LIFT HANDLE
10	711-520-017	GROMMET, 5/8 ID X 7/8OD X 3/16 PANEL
11	02-539	CABLE MOUNTING BLOCK, 3/4 X 3/4
12	294-116-019	GUIDE ROLLER AXLE
13	SA-0244	GUIDE WHEEL ASSEMBLY
14	01-161	PHENOLIC WASHER
15	A-0024	GUIDE ROLLER SPRING
16	A-0025	GUIDE ROLLER WASHER
17	04-078	GROMMET, 5/16 X 3/4 X 1/8, RUBBER
18	294-116-014	OIL TANK SUPPORT TUBE
19	294-116-015	FRAME BRACKET
20	294-116-016	OIL TANK TUBE BLOCK, BOTTOM
21	294-116-017	OIL TANK TUBE BLOCK, TOP
22	294-116-098	OIL TANK SPACER
23	294-115-706	OIL TANK RETAINING BRACKET
24	04-118	PIN QR 0.25 X 0.80 NS
25	04-335	CABLE ASSEMBLY, 8"
26	294-116-018	FOAM OIL TANK DRIP PAD

	<b>NUMBER</b>	<b>DESCRIPTION</b>
27	294-116-011	STORAGE CASTER, 2-INCH
28	294-115-614	OPERATING CASTER, 2-INCH
29	951-638-068	WASHER, EXT. TOOTH COUNTERSUNK, #10
30	01-123	SCREW, PHILLIPS FLAT HEAD, 10-32 X 5/8
31	01-355	SCREW, FLAT HEAD, #6 X 1/4
32	856-149-001	NUT, HEX FLANGE STOVER LOCK, 1/4-20
33	844-065-002	NUT, STOVER LOCK, 3/8-16
34	844-049-002	NUT, STOVER LOCK, 1/4-20
35	951-156-002	WASHER, SPLIT LOCK, 5/16
36	809-865-205	SCREW, HEX 3/8-16 X 1-1/4
37	808-549-120	SCREW, BUTTON HEAD, 1/4-20 X 3/4
38	01-056	WASHER, FLAT, 1/4
39	801-749-121	SCREW, FLANGE HEAD FLEX 1/4-20 X 3/4
40	801-749-281	SCREW, FLANGE HEAD FLEX 1/4-20 X 1-3/4
41	801-765-121	SCREW, FLANGE HEAD FLEX 3/8-16 X 3/4
42	01-001	SCREW, PAN-HEAD PHILLIPS 6-32 X 0.38, ZINC
43	01-416	NUT, 6-32X NYLON LOCKING
44	808-557-082	SCREW, BUTTON HEAD, 5/16-18 X 1/2
45	830-057-002	NUT, ACORN, 5/16-18
46	294-115-245	HAND ENTANGLEMENT-CHAIN DECAL
47	294-115-246	HAND ENTANGLEMENT DECAL
48	294-115-256	GND STICKER IEC 60417-1-5017
49	A-1058	PE GROUND DECAL
50	294-115-237	HAND CRUSH DECAL
51	294-115-723	KEEP LEVEL STICKER