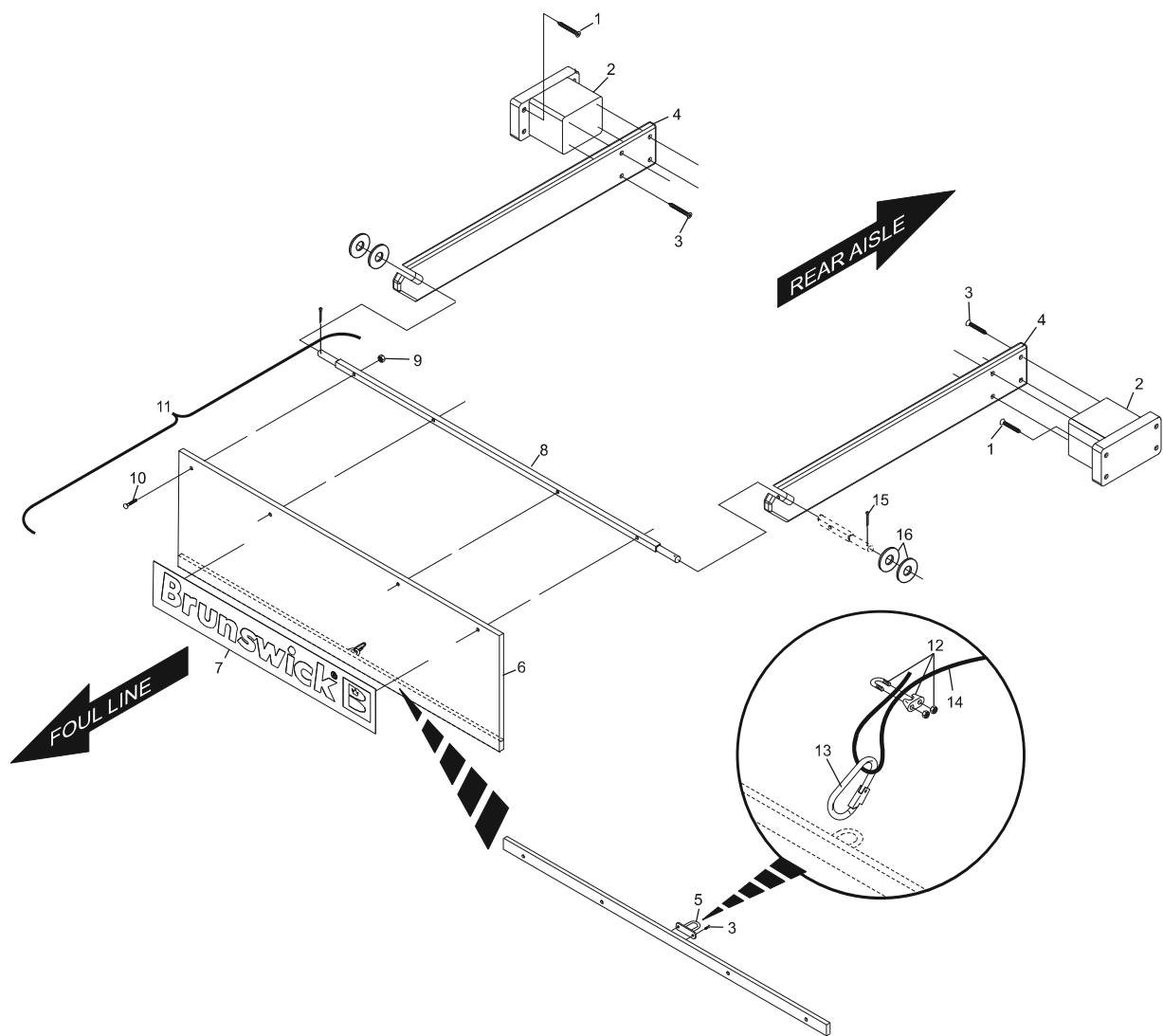


<b>Index No.</b>	<b>Part No.</b>	<b>Package / Order Reference</b>	<b>Description</b>
1.	11-051893-000		Torx Self Tap Counter Sink (M5 x 60 mm)
2.	55-278070-001		Gate Bracket Mount
3.	11-051892-000		T-20 Torx Self Tap Counter Sink (M4.5 x 25 mm)
4.	55-278120-003		Gate Support
5.	11-056301-000		Clasp Eyepad
6.	55-278112-001		Gate Board
7.	55-268185-000		Label (Decal) - Front Gate
8.	55-278092-001		Support For Gate Board
9.	11-051743-001		Locknut (M6)
10.	11-052627-001		Carriage Bolt (M6 x 25 mm)
11.	55-278119-009		Assembly - Gate with Decal
12.	11-603027-001		Clasp
13.	11-599005-000		Snap Ring (Carbiner)
14.	75-110012-009		String,black - 50 Meter Roll
15.	11-051810-001		Split Pin (Cotter Pin)
16.	11-052027-001		Flat Washer (17 mm x 30 mm x 3 mm)

## Front Gate



Front Gate