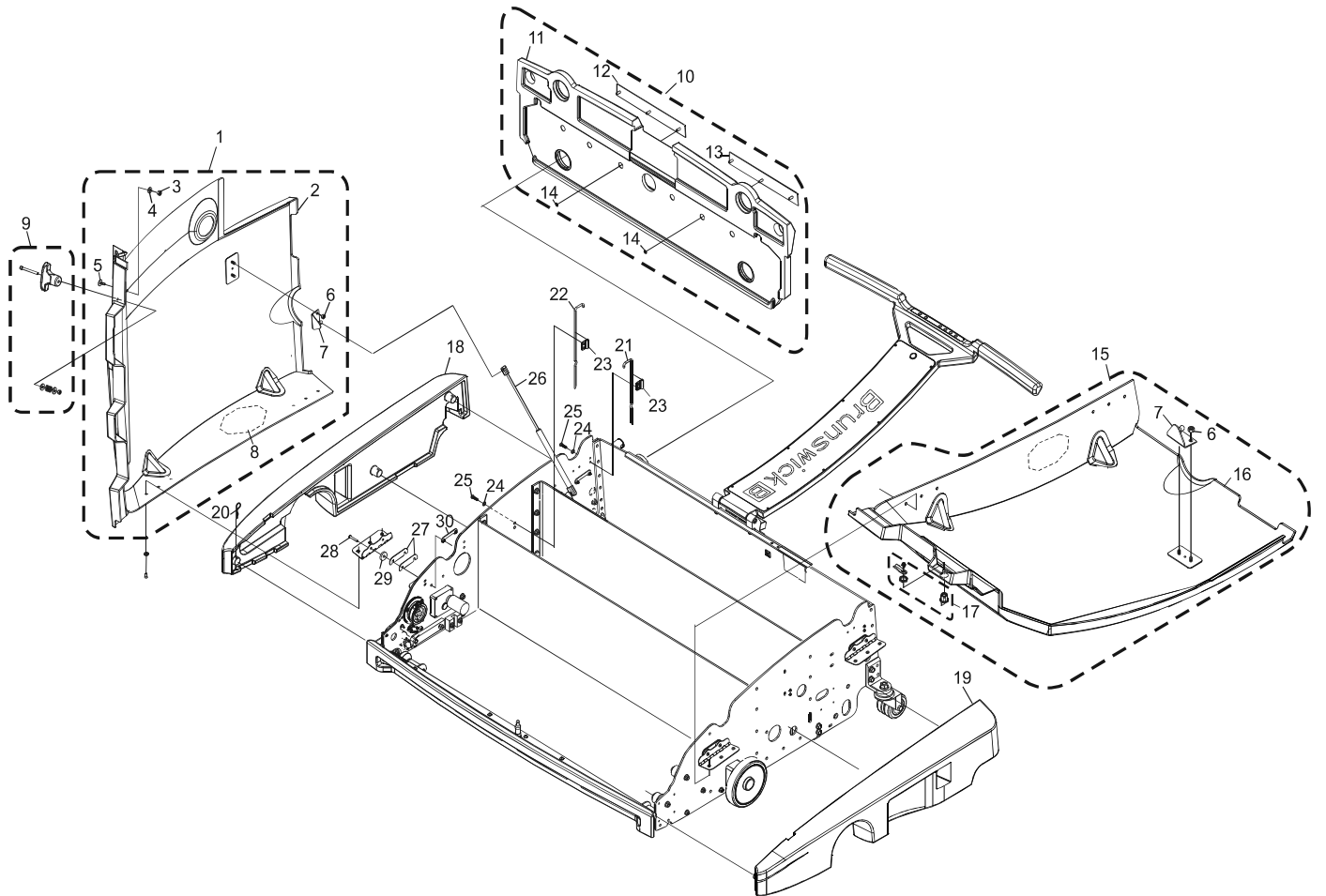


No.	Index Part No.	Description
1.	*14-101742-xxx	Top Cover Assembly (right-hand)
2.	*14-101752-xxx	Top Cover - only (right-hand)
3.	11-170006-015	Locknut (#10-32)
4.	11-190006-015	Flat Washer (#10)
5.	14-100358-000	Magnet Catch Plate
6.	11-170004-015	Locknut (#8-32)
7.	11-210007-000	Gas Spring Bracket
8.	*14-100964-xxx	Decal
9.	14-102003-000	Cover Latch Assembly
10.	14-101735-000	Rear Cover w/Logos Assembly
11.	14-101736-000	Rear Cover- only
12.	14-101030-000	Max Direct Logo
13.	14-101035-000	Brunswick Max Logo
14.	11-532004-009	External Retaining Ring (25 mm)
15.	*14-101740-xxx	Top Cover Assembly (left-hand)
16.	*14-101573-xxx	Top Cover - only
17.	11-112201-000	Latch Assembly
18.	14-100738-000	Side Cover (right-hand)
19.	14-100737-000	Side Cover (left-hand)
20.	11-054301-015	Cover Pin (front)
21.	14-100875-001	Cover Pin (rear)
22.	14-100875-002	Cover Pin (middle)
23.	14-100876-000	Cover Pin (guide)
24.	11-199002-015	Lockwasher (#8)
25.	11-006063-009	Button Head Cap Screw (#8-32 x 1/2")
26.	11-210008-000	Gas Spring (10lb. force)
27.	14-100373-000	Shim
28.	11-006127-000	Button Head Cap Screw (#10-32 x 1-1/4")
29.	11-192028-000	Spacer( nylon)
30.	14-100312-000	Hinge Nut Plate

\* Color Codes

BLACK	001
GREEN	002

## Hood System



## Hood System