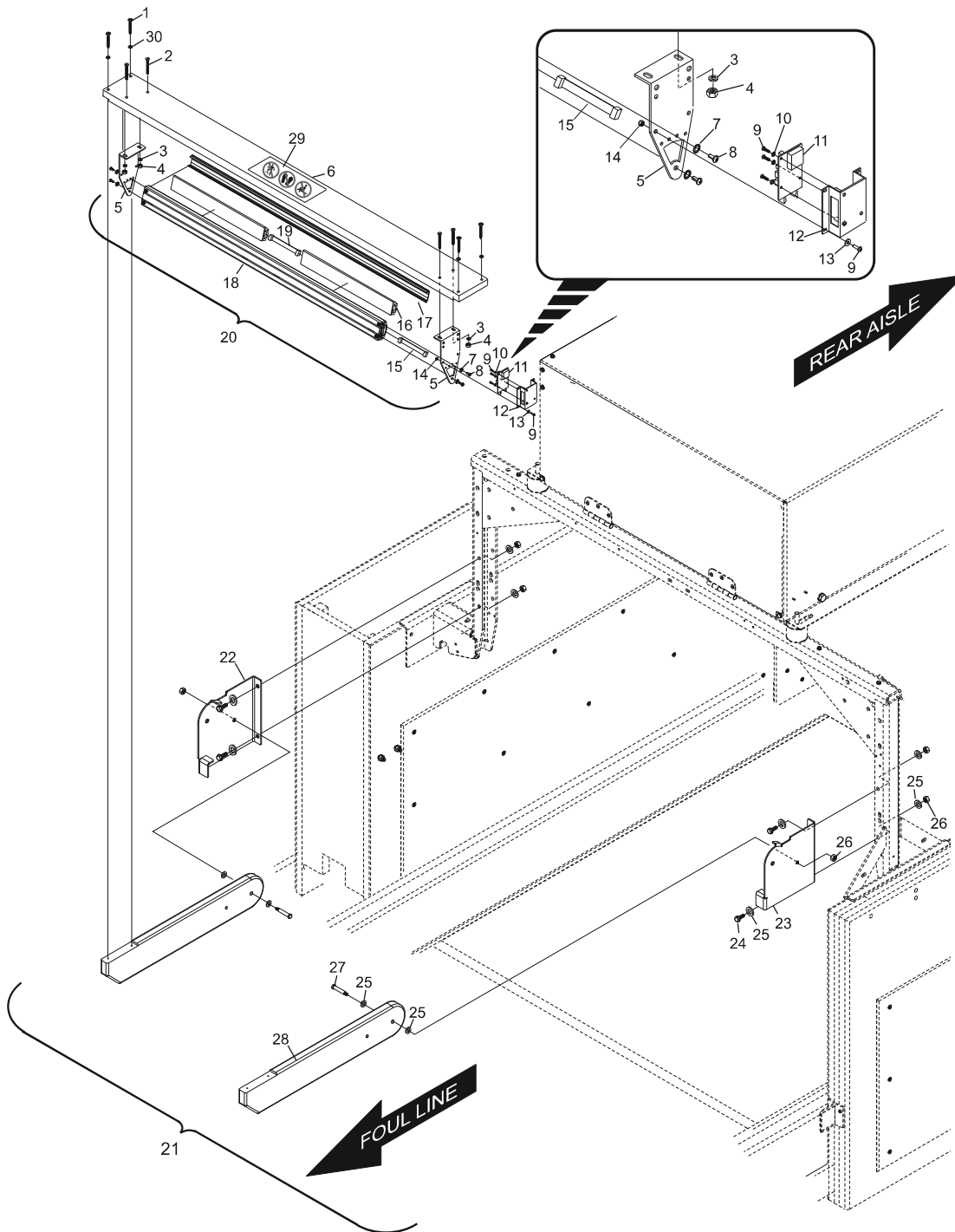


Index No.	Part No.	Package / Order Reference	Description
1.	11-081208-000		Screw - Flat Head Robertson (#10 X 2 Inch)
2.	11-051027-001		Screw Hex. Cap. (M5 x 40 mm)
3.	11-052020-001		Flat Washer (M5 x 12 mm)
4.	11-051742-001		Hex Locknut (M5)
5.	47-226757-000		LED Pinlight Bracket
6.	55-278163-002		Mounting Plate - Pin Light
7.	11-055013-015		Lock Washer - External Tooth (M5)
8.	11-053788-015		Screw (M5 x .8 mm x 12 mm)
9.	11-053800-015		Screw (M3 x .5 mm x 12 mm)
10.	11-055011-015		Lock Washer - External Tooth (M3)
11.	47-225589-000		Pin Light Controller PCB
12.	47-226856-000		Bracket for Pin Light Controller PCB
13.	11-052055-015		Washer (3.2 mm x 7 mm x .5 mm)
14.	11-051746-015		Locknut (M3)
15.	47-225111-000		Cable - Ribbon
16.	47-226586-000		LED Pinlight Board
17.	84-200242-302		Lens - LED Pinlight
18.	47-226549-000		LED Pinlight Enclosure
19.	47-226409-000		Cable - Ribbon
20.	47-226551-009		Assembly - LED Pinlight Complete With Brackets (Includes Index Numbers 5 - 19)
21.	55-868164-000		Pkg - Universal Pin Light Mount & Hardware - StringPin (Includes Index Numbers 1 - 4, 6, 22 - 32)
22.	55-278160-002		Pivot Bracket - Left
23.	55-278161-002		Pivot Bracket - Right
24.	11-051010-001		Screw Hex. Cap. (M8 x 20 mm)
25.	11-052017-001		Flat Washer (M8 x 15 mm)
26.	11-051744-001		Hex Locknut (M8)
27.	11-056101-001		Screw - Hex (M8 x 10 mm x 30 mm)
28.	55-278162-002		Pivot Arm - LED Pindeck Light
29.	11-681174-000		Label - Danger "No Step", "No Stand", "No Sit"
30.	11-190014-001		Flat Washer 3/8" (10.3 mm x 20 mm)
31.	47-226204-000		Assembly - Safety Pin (Not Shown)
32.	11-054728-001		Screw, P.H.C.R. Wood (M5 x 25 mm) For Safety Pin

StringPin Pinlight



StringPin Pinlight