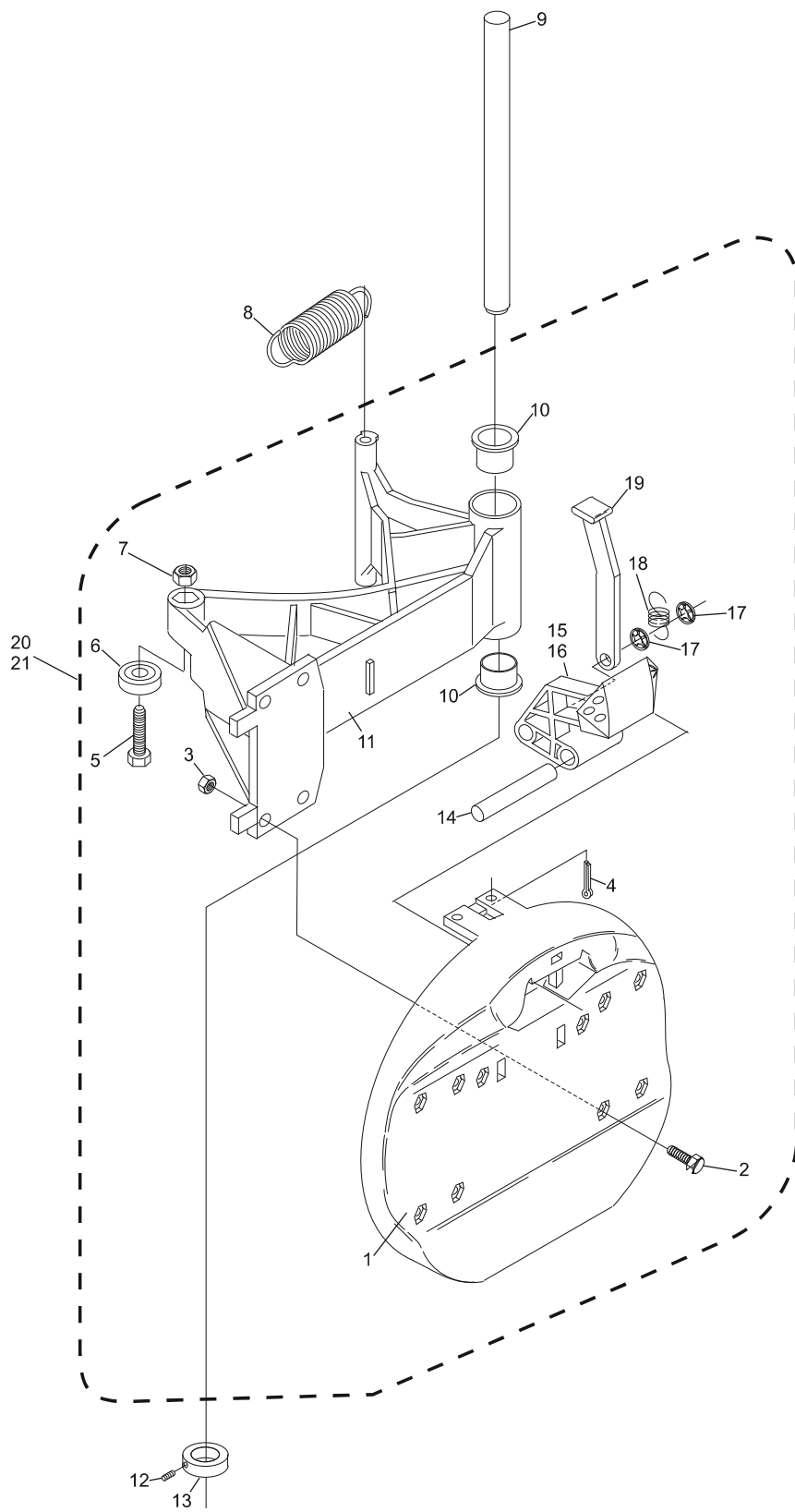


Index No.	Part No.	Package / Order Reference	Description
1.	*47-031054-002		Ball Door
2.	11-051018-001		Hex Hd. Cap Screw (6 mm x 20 mm)
3.	11-051743-001		Locknut (M6)
4.	11-051793-001		Cotter Pin (2 mm x 16 mm)
5.	11-051067-001		Hex Hd. Cap Screw (M8 x 35 mm)
6.	11-430046-000		Bearing
7.	11-051744-001		Locknut (M8)
8.	47-030276-004		Tension Spring
9.	47-035238-004		Ball Door Arm Shaft
10.	47-034842-004		Bushing
11.	*47-031058-001		Ball Door Arm
12.	11-053101-000		Socket Set Screw (M6 x 8 mm)
13.	11-053622-001		Stop Ring (Collar)
14.	47-031091-004		Shaft
15.	47-031056-003		Ball Door Key - Left (Not Shown)
16.	47-031055-003		Ball Door Key - Right (Shown)
17.	11-053477-001		Speed Nut (7 mm)
18.	47-034767-004		Tension Spring
19.	47-031822-004		Lever
20.	47-033556-009		R.H. Ball Door Complete (Shown)
21.	47-033555-009		L.H. Ball Door Complete (Not Shown)

* Index Nos. 1 and 11 are universal for use in both left-hand and right-hand ball door assemblies.

Ball Door/Lock Assembly (Subway)



Ball Door/Lock Assembly (Subway)