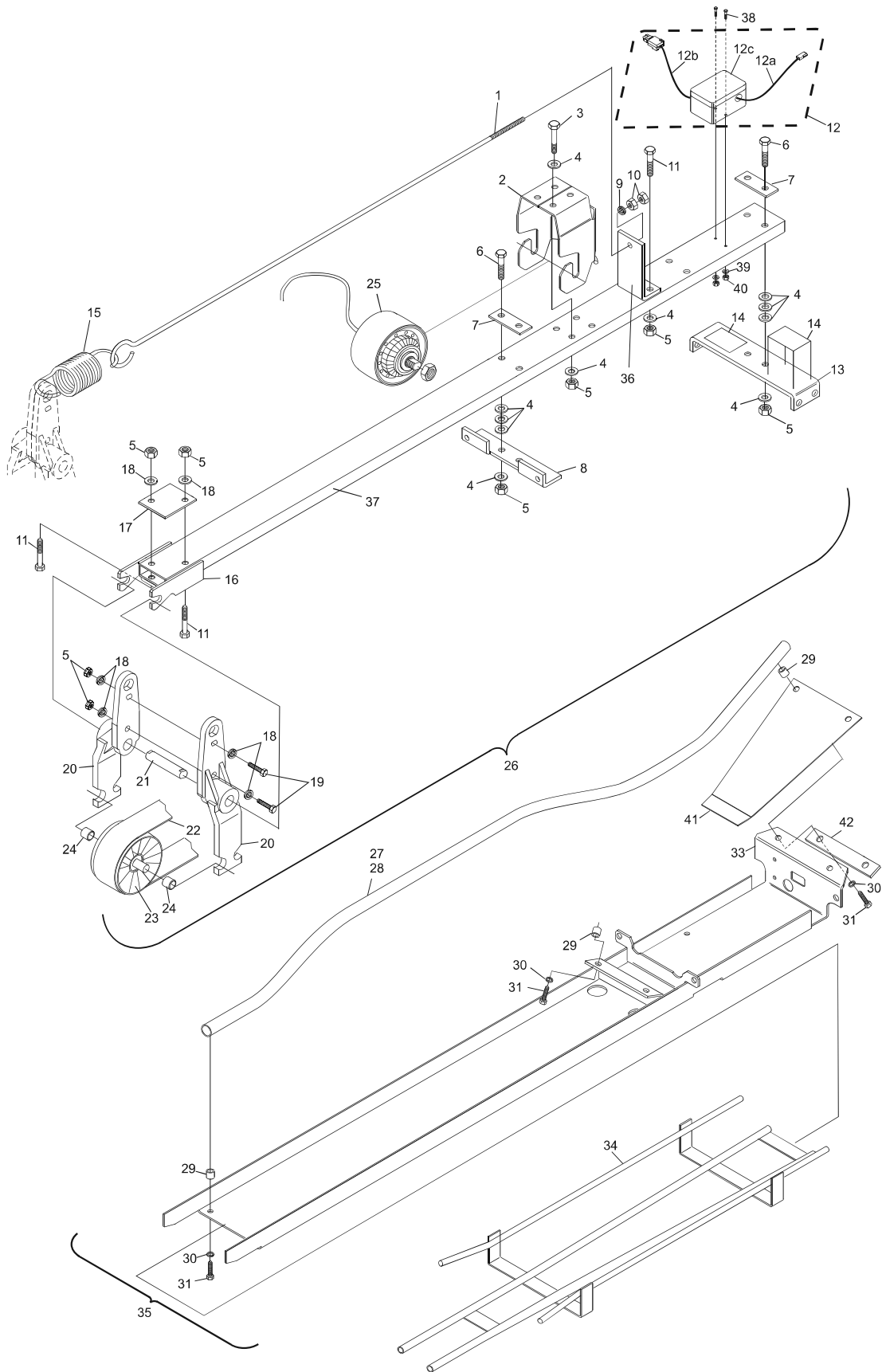


Index No.	Part No.	Package / Order Reference	Description
1.	47-035236-003		Tension Rod
2.	47-035226-002		Motor Support Bracket
3.	11-051071-001		Hex Head Cap Screw (M10 x 60 mm)
4.	11-052050-001		Flat Washer (10.5 mm x 30 mm x 2.5 mm)
5.	11-051745-001		Locknut (M10)
6.	11-051093-001		Hex Head Cap Screw (M10 x 75 mm)
7.	47-035344-004		Stiffening Plate
8.	47-035229-002		Front Support
9.	11-052019-001		Flat Washer (8.4 mm x 24 mm x 2 mm)
10.	11-051704-001		Nut (M8)
11.	11-051087-001		Hex Head Cap Screw (M10 x 65 mm)
12.	47-036312-004		Terminal Box w/Cables
	12a. 47-245429-004		Overload Switch Cable
	12b. 47-246311-004		Motor Power Cable
	12c. 47-035253-003		Terminal Box w/Lid
13.	47-035228-003		Cross Support Brace
14.	53-400067-000		Safety Decal
15.	47-031248-004		Tension Spring
16.	47-035231-002		Support (Front Drum)
17.	47-035345-003		Stiffening Plate
18.	11-052018-001		Flat Washer (10.5 mm x 20 mm x 2 mm)
19.	11-051021-001		Hex Head Screw (M10 x 35 mm)
20.	47-031454-002		Pivot Lever
21.	47-035230-004		Axle Shaft
22.	10-635127-000		Flat Belt
23.	47-035232-002		Front Driving Drum Complete
24.	47-035234-004		Spacer
25.	99-030363-004	Not Available	Accelerator Motor/Rear Drive Drum Assembly w/Cable (208/230/380 VAC)
	47-277187-230		Motor Conversion Kit - 208V/230V Accelerators
	47-277188-400		Motor Conversion Kit - 380V Accelerators
26.	55-108224-009	S.O.	Drive Assembly Stringpin Ball Accelerator
27.	47-034730-004	47-862787-000	Protective Cover - Pkg. of 4
28.	47-035303-009	S.O.	Ball Rod w/Cover
29.	47-035214-004		Spacer
30.	11-051771-001		Lockwasher (10.2 mm x 18.1 mm x 2.2 mm)
31.	11-051045-001		Hex Head Cap Screw (M10 x 30 mm)
32.	11-051078-001		Hex Head Cap Screw (M10 x 40 mm)
33.	47-035211-001		Bottom Accelerator Plate
34.	53-520634-001		Metric Transition Track
35.	47-035304-001		Ball Guide Assembly
36.	47-035235-003		Support (Tension Rod)
37.	47-035227-003		Support (Drive Assy)
38.	11-051558-001		Socket Hd. Cap Screw (M5 x 55 mm)
39.	11-052005-001		Flat Washer (5.3 mm x 10 mm x 1 mm)
40.	11-051742-001		Locknut (M5)
41.	47-035351-003		Protection Plate
42.	47-035311-004		Stiffening Plate - Ball Rod

S.O. = Special Order

Ball Accelerator (Subway)



Ball Accelerator (Subway)