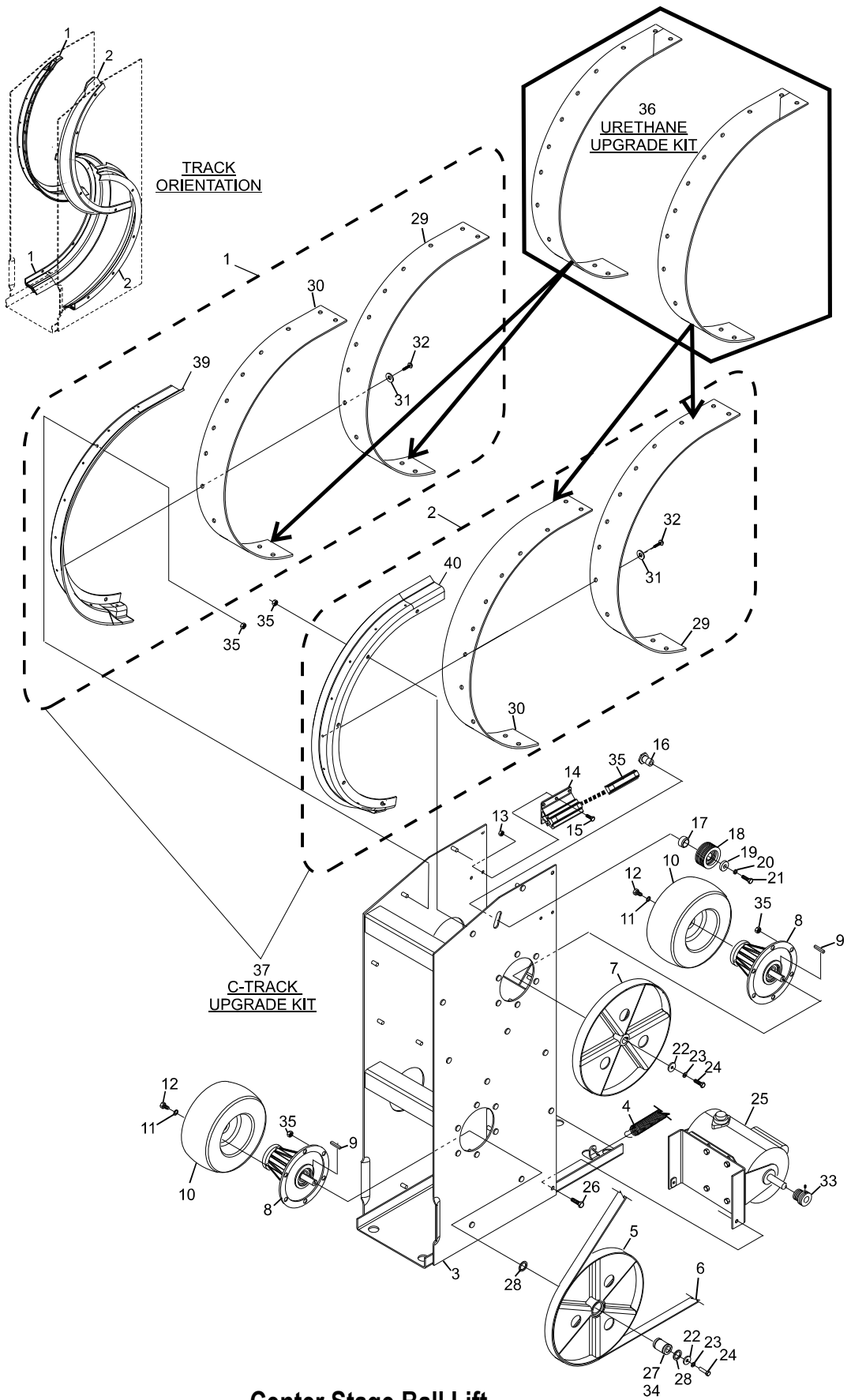


Index

No.	Part No.	Description
1.	53-520678-000	R.H. Ball Lift Track Assembly (upper and lower)
2.	53-520679-000	L.H. Ball Lift Track Assembly (upper and lower)
3.	53-520675-001	Ball Lift Weldment Assembly
	53-520696-001	R.O. Ball lift Weldment Assembly w/Hardware (metric)
4.	53-520234-000	Tension Spring
5.	53-520663-001	Lower Pulley w/Bearing Assembly
6.	53-520230-002	"V" Belt
	53-520235-000	R.O. Poly "V" Belt
	53-520235-600	R.O. Poly V-Belt (AP High Friction)
7.	53-520658-000	Ball Lift Upper Pulley
8.	53-520685-001	Ball Lift Bearing Housing
9.	10-620057-000	Square Key
10.	53-520060-000	Tire and Rim Assembly
11.	11-051770-001	Lockwasher (8 mm)
12.	11-051043-001	Hex Hd. Cap Screw (M8 x 12 mm)
13.	11-051743-001	Self-Locking Hex Nut (6 mm)
14.	53-520073-000	Ball Transition Assembly
15.	11-051035-001	Hex Hd. Cap Screw (M6 x 16 mm)
16.	53-520071-001	Bearing Stud
17.	53-520072-000	Spacer
18.	53-520244-000	Idler Assembly
19.	11-052018-001	Flat Washer (10.5 mm)
20.	11-051771-001	Lockwasher (M10)
21.	11-051028-001	Hex Head Cap Screw (M6 x 25 mm)
22.	11-052067-001	Flat Washer (7.4 mm)
23.	11-051769-001	Lockwasher (M6)
24.	11-051028-001	Hex Hd. Cap Screw (M6 x 25 mm)
25.	53-520704-001	Motor/Mount Bracket/Power Bracket Assembly
	53-860328-000	R.O. Ball lift Motor 115/230V 1/4 HP Pkg.
26.	11-051053-001	Hex Hd. Cap Screw (M8 x 40 mm)
27.	53-520421-000	Inner Ring
	53-520421-001	Inner Ring (Metric)
28.	11-051856-001	Retaining Ring (25 mm)
29.	53-520172-000	R.H. or L.H. Leather Track
30.	53-520686-000	R.H. or L.H. Rubber Track
31.	11-190006-001	Flat Washer (#10)
32.	11-081206-000	Truss Hd. Robertson Screw (10-24 x 5/8")
33.	53-520582-001	Poly V Sheave (Metric)
34.	11-500552-000	Clutch Bearing
35.	11-051744-001	Locknut (M8)
36.	90-520172-600	Urethane Track Kit - 2 pieces, includes one L.H. Track 90-520172-603 (replaces index 29 and index 30) and one R.H. Track 90-520172-602 (replaces index 29 and index 30).
37.	53-860174-000	C-Track Upgrade Kit (Consists of one each 53-520678-000 (index 1) and 53-520679-000 (index 2))

R.O. = Replacement Option

Center Stage Ball Lift



Center Stage Ball Lift