

Index

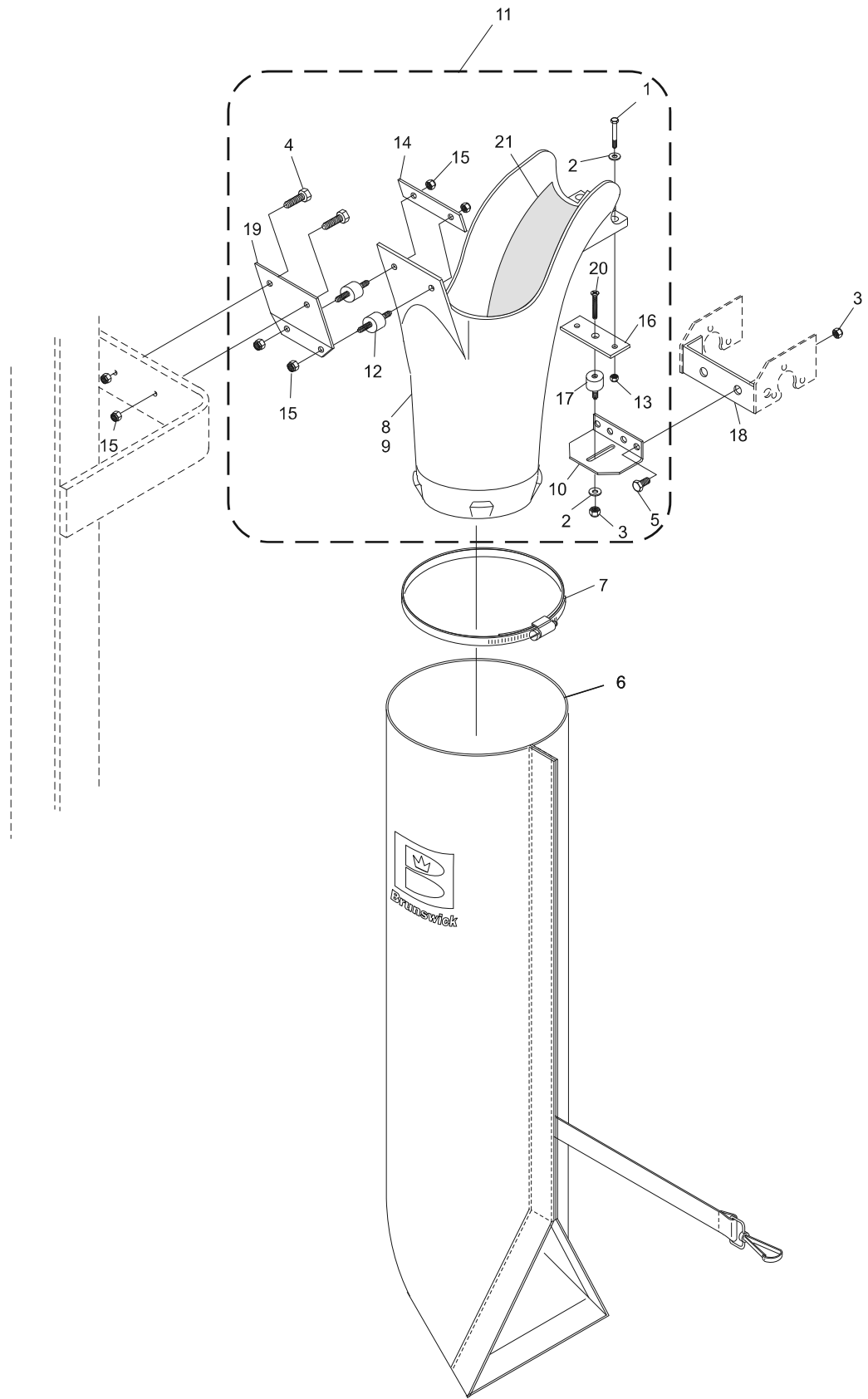
No.	Part No.		Description
1.	11-051004-001	N.A.	Hex Hd. Cap Screw (5 mm x 25 mm)
	47-861001-001	R.O.	Hex Hd. Cap Screw (5 mm x 25 mm) Pkg. of 10
2.	11-052039-001		Flat Washer (5.3 mm)
3.	11-051744-001		Locknut (8 mm)
4.	11-051035-001		Hex Hd. Cap Screw (6 mm x 16 mm)
5.	11-051038-001		Hex Hd. Cap Screw (8 mm x 16 mm)
6.	47-097509-000		OEm Overflow Pin Sock
	47-022531-000	N.A.	Sock (Black)
	47-092529-600		Sock - heavy duty (White)
7.	11-603301-000		Overflow Chute Clamp
8.	47-095738-001		L.H. Plastic Chute - only
9.	47-095737-001		R.H. Plastic Chute - only
10.	47-095728-004		Angle Bracket
11.	47-095740-009		R.H. Chute Assembly w/out Sock
	47-095739-009		L.H Chute Assembly w/out Sock
12.	11-053587-000		Rubber Bumper (25 mm x 15mm)
13.	11-051742-001		Locknut (5 mm)
14.	47-095727-004		Pressure Plate
15.	11-051743-001		Locknut (6 mm)
16.	47-095726-004		Mounting Plate
17.	11-053588-000		Rubber Bumper (30 mm x 20 mm)
18.	47-093749-004		Bracket
19.	47-095729-004		Mounting Bracket
20.	11-052938-001		Flat Hd. Screw (8 mm x 12 mm)
21.	47-860003-000		Pin Wipe
22.	*47-275731-009		Overflow Chute Conversion Kit (contains index numbers: 2, 3, 4, 5, 10, 12, 14, 15, 16, 17, 19 and 20)

N.A. = No Longer Available

R.O. = Replacement Option

* Not illustrated

Shock Mounted Dual Feed Overflow Chute (Plastic)



**Shock Mounted Dual Feed Overflow Chute
(Plastic)**