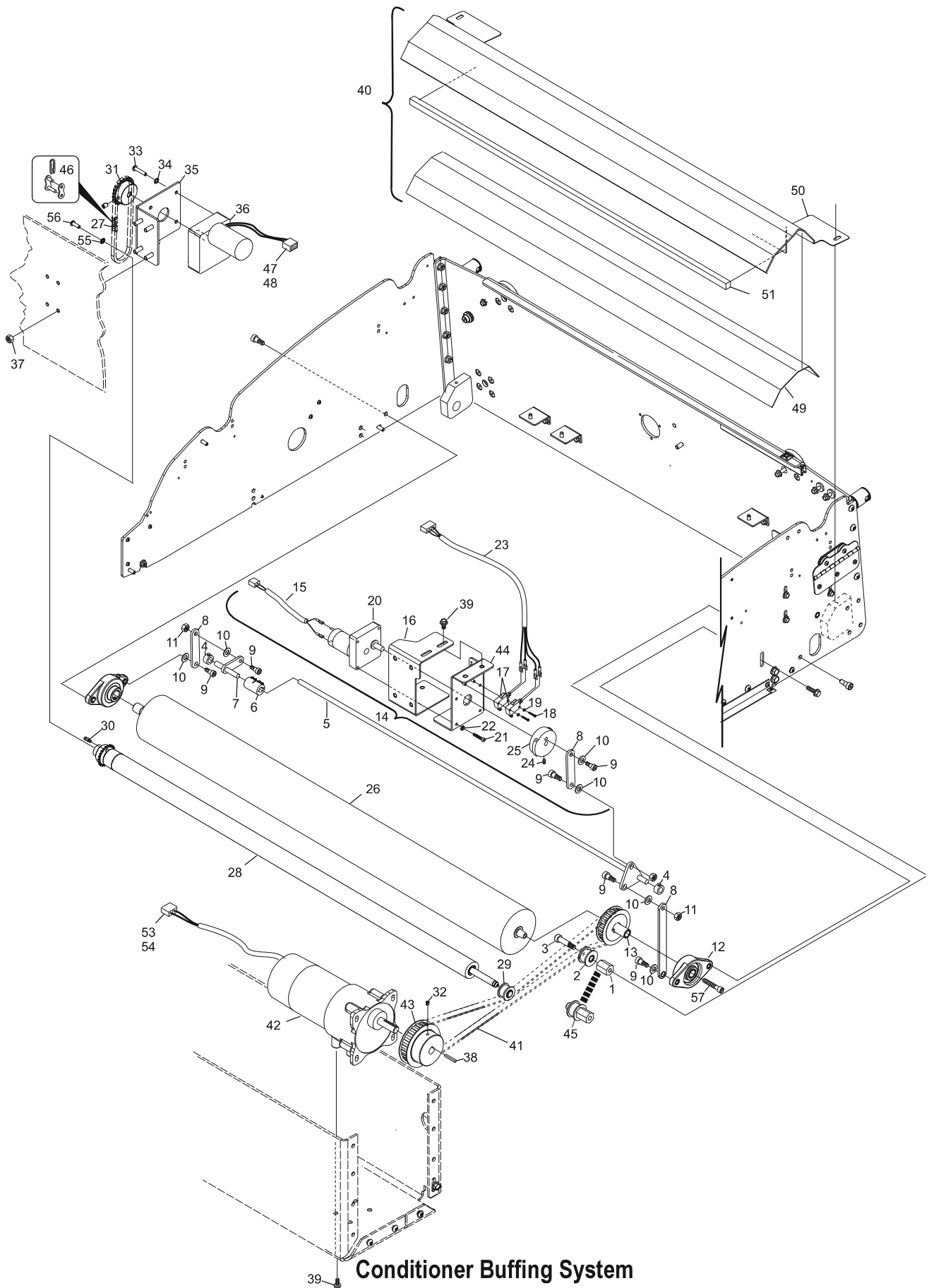


| Index No. | Part No. | Description |
|-----------|----------------|---|
| 1. | 14-100057-000 | Idler Pulley Mount |
| 2. | 14-100056-000 | Idler Puller Tension Adjuster |
| 3. | 11-106554-009 | Socket Head Shoulder Screw (5/16-18 x 3/8 Dia. x 1") |
| 4. | 11-655032-000 | Shaft Collar (3/8") |
| 5. | 14-100800-000 | Pivot Rod Assembly (long) |
| 6. | 14-100311-000 | Shaft Coupler (3/8" to 3/8") |
| 7. | 14-100315-000 | Pivot Rod Assembly (short) |
| 8. | 14-100796-000 | Up/Down Linkage |
| 9. | 11-106550-009 | Socket Head Shoulder Screw (5/16-18 x 3/8" Dia. x 3/8") |
| 10. | 11-191752-000 | Nylon Washer (.390 I.D. x .75 O.D. x .062) |
| 11. | 11-125202-015 | Nut (5/16-18) |
| 12. | 14-100044-000 | Flange Mount Bearing Assembly |
| 13. | 14-100042-000 | Gear belt Pulley/Short Shaft Assembly |
| 14. | 14-100793-000 | Buffer Up/Down Motor Assembly |
| 15. | 14-100258-000 | Up/Down Motor Cable Assembly |
| 16. | 14-100795-000 | Buffer up/Down Motor Frame Bracket Assembly |
| 17. | 11-616026-000 | Switch |
| 18. | 11-006010-000 | Button Head Cap Screw (#4-40 x 1") |
| 19. | 11-199000-015 | Internal Tooth Lock Washer (#4) |
| 20. | 14-100724-022 | Gear Motor w/Connector (Buffer Up Down) |
| 21. | 11-006125-000 | Button head Socket Cap Screw (#10-32 x 1") |
| 22. | 11-199003-015 | Internal Tooth (#10) Lockwasher |
| 23. | 14-100258-000 | Up/Down Switch Cable Assembly |
| 24. | 11-105454-000 | Set Screw (1/4-28 x 3/8") |
| 25. | 14-100729-000 | Buffer Up/Down Cam |
| 26. | 14-100043-000 | Buffer Brush Assembly |
| 27. | 11-601010-000 | Roller Chain |
| 28. | 14-100070-000 | Dispersion Roller Assembly |
| 29. | 14-100111-000 | Dispersion Roller Idler Pulley |
| 30. | 14-100202-000 | Grease Fitting |
| 31. | 11-491104-000 | Sprocket - 23 Tooth (3/8" bore) |
| 32. | 11-105451-000 | Set Screw (#10-32 x 1/4") |
| 33. | 11-006125-000 | Hex Head Socket Screw (#10-32 x 1") |
| 34. | 11-199003-015 | Internal Tooth Lockwasher (#10) |
| 35. | 14-100762-000 | Dispersion Roller Motor Bracket |
| 36. | 14-100724-050 | Gear Motor w/Connector Assembly (Dispersion Roller) |
| 37. | 11-171504-000 | Nut (1/4-20) |
| 38. | 10-621013-000 | Key - Square (1/8" x 1") |
| 39. | 11-010782-000 | Hex Serrated Head Cap Screw (1/4-20 x 1/2") |
| 40. | 14-100434-000 | Buffer Brush Shield w/Felt Assembly |
| 41. | 11-655073-000 | Gear Belt (28.5") |
| 42. | 14-100744-000 | Buffer Brush Motor w/Connector |
| 43. | 14-100747-000 | Gear Belt Pulley - 24 Teeth |
| 44. | 14-100794-000 | Buffer Cam and Switch Bracket |
| 45. | 14-100567-000 | Buffer Belt Tensioner Pulley |
| 46. | 11-600010-000 | Chain Link |
| 47. | 11-680302-000 | Terminal - Pin |
| 48. | 11-680116-000 | Connector Housing |
| 49. | 14-100433-000 | Buffer Shield Felt |
| 50. | 14-100426-000 | Buffer Shield Guard |
| 51. | 14-100427-000 | Buffer Shield Drip Foam |
| 52. | *14-100557-000 | Buffer Shield HP V-Shape Drip Foam |
| 53. | 11-696701-000 | Connector Housing |
| 54. | 11-696736-000 | Terminal |
| 55. | 11-199005-015 | Lockwasher (1/4) |
| 56. | 11-006221-000 | Screw (1/4-28 x 3/4") |
| 57. | 11-005308-000 | Hex Socket Head Cap Screw (5/16-24 x 1-3/4") |

* Not Illustrated

Conditioner Buffing System



Conditioner Buffing System