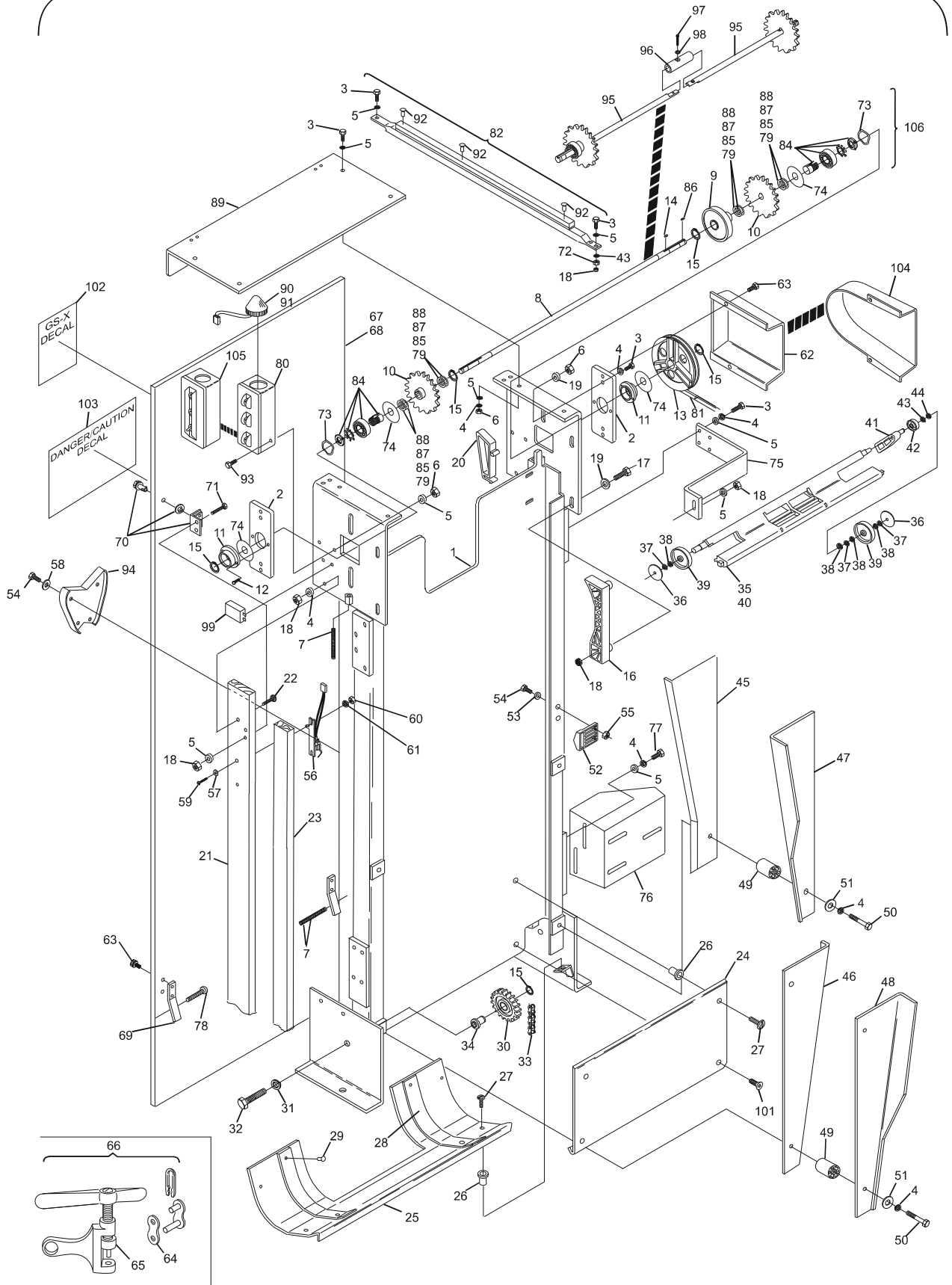


Index			Index		
No.	Part No.	Description	No.	Part No.	Description
1.	47-013971-001	N.A. Elevator Frame Complete	60.	11-051741-001	(4 mm x 40 mm)
2.	47-014016-003	Bearing Plate	61.	11-052025-001	Locknut (4 mm)
3.	11-051010-001	Hex Hd. Machine Screw (8 mm x 20 mm)	62.	47-013949-001	N.A. Flat Washer (4.3 mm)
4.	11-051770-001	Lockwasher (8 mm)	63.	11-054451-000	Pulley Guard (metal)
5.	11-052003-001	Flat Washer (8.4 mm)			Self-Tapping Screw (6 mm x 10 mm)
6.	11-051704-001	Hex Nut (8 mm)	64.	47-013871-004	Master Link w/Long Pin
7.	11-054425-000	Set Screw (8 mm x 80 mm)		11-600500-000	Standard Master Link
8.	N.A.	Drive Shaft	65.	47-013872-004	Chain Tool
9.	47-014018-003	Shovel Guide Wheel	66.	47-013873-004	Elevator Chain Repair Kit
10.	47-013931-003	Upper Chain Sprocket	67.	47-013983-003	N.A. Elevator Rear Guard Only
11.	47-014329-003	Flange		47-013990-002	R.O. Elevator Rear Guard Complete
12.	11-054450-000	Self-Tapping Screw (6 mm x 16 mm)	68.	47-013990-002	Elevator Rear Guard Assembly
13.	47-013956-003	V-Belt Pulley	69.	47-013652-004	Lower Pin Plate
14.	11-053491-000	Key (5 mm x 5 mm x 20 mm)	70.	47-013952-004	Camloc Fastener Assembly
15.	11-051852-001	Retaining Ring (17 mm)	71.	11-051026-001	Hex Hd. Machine Screw (8 mm x 40 mm)
16.	47-014017-003	Shovel Guide			Hex Nut (10 mm)
17.	11-051053-001	Hex Hd. Machine Screw (8 mm x 40 mm)	72.	11-051703-001	Spring Shim Washer
18.	11-051744-001	Locknut (8 mm)	73.	47-014331-004	N.A. Seal (Washer)
19.	11-052006-001	Flat Washer (8.4 mm)	74.	47-014327-004	Elevator Z Bracket w/o Rubber Mount
20.	47-013951-003	Wedge Guide	75.	47-014354-003	Mounting Bracket
21.	47-013954-003	Rear Wooden Chain Guide	76.	47-024036-002	Hex Hd. Machine Screw (8 mm x 16 mm)
22.	11-052615-001	Carriage Bolt (8 mm x 35 mm)	77.	11-051038-001	Slotted Truss Hd. Machine Screw (8 mm x 50 mm)
23.	47-013953-003	Front Wooden Chain Guide			N.A. Flat Washer (17 mm)
24.	47-013913-002	Damper Guide	79.	11-052053-001	R.O. Flat Washer (17 mm) Pkg. of 10
25.	47-013946-002	Lower Pan Guide		47-861011-007	Mechanic's Remote Box w/Cable (Nexgen Electronics)
26.	11-135400-000	Well Nut	80.	47-245422-003	V-Belt (1900 mm)
27.	11-051881-001	Slotted Machine Screw (8 mm x 30 mm)	81.	11-053905-000	Cable Channel Support Assembly
28.	47-013912-004	Slide Band	82.	47-084015-003	Elevator Assembly Complete
29.	11-053678-000	Rivet (8.9 mm)	83.	N.A.	Cone Bearing Assembly
30.	47-011053-004	Deflection Chain Gear w/Bearing Complete	84.	11-050150-000	N.A. Shim Washer (18 mm x 30 mm x 1.5 mm)
31.	11-051772-001	Lockwasher (12 mm)	85.	11-054105-001	Key
32.	11-051062-001	Hex Hd. Machine Screw (12 mm x 25 mm)	86.	11-053501-000	Flat Washer (18 mm)
33.	47-014008-003	5/8" Chain w/Shovel Pins Complete (3556 mm long)	87.	11-052057-001	N.A. Shim Washer (18 mm)
34.	47-011130-004	Bearing Bolt	88.	11-054106-001	R.O. Shim Washer (18 mm) Pkg. of 10
35.	47-013532-009	Pin Shovel Complete		47-861031-001	Guard (GS-10/GS-92)
36.	47-011241-004	Spacer Washe (40 mm x 5.1 mm)	89.	47-014770-002	Trouble Light Assembly w/o Bracket (12V)
37.	11-051851-001	Retaining Ring (12 mm)	90.	47-014687-004	Bulb Only (12V)
38.	11-052001-001	N.A. Flat Washer (12 mm)	91.	*47-223170-000	N.A. Rivet (3.2 mm x 7.4 mm)
	47-861009-001	R.O. Flat Washer (12 mm) Pkg. of 20	92.	11-053660-000	R.O. Rivet (3.2 mm x 7.4 mm) Pkg. of 20
39.	47-011047-004	Large Nylon Track Wheel	93.	11-054452-000	N.A. Hex Hd. Machine Screw (5 mm x 10 mm)
40.	47-011049-001	Pin Shovel Only			Centering Guides
41.	47-011048-004	Pivoting Lever	94.	47-014761-003	N.A. Split Shaft Assembly
42.	47-011046-004	Small Nylon Track Wheel	95.	47-014756-003	R.O. Split Shaft Assembly Complete
43.	11-052018-001	Flat Washer (10.5 mm)		47-015068-003	Split Shaft Coupler
44.	11-051855-001	Retaining Ring (10 mm)	96.	N.A.	Screw (6 mm x 30 mm)
45.	47-013993-001	R.H. Rear Pin Deflector	97.	11-051526-001	Lockwasher (6 mm)
46.	47-013994-001	L.H. Rear Pin Deflector	98.	11-051769-001	N.A. Frame Counter
47.	47-013991-001	R.H. Front Pin Deflector	99.	47-225160-004	R.O. Frame Counter w/Cable
48.	47-013992-001	L.H. Front Pin Deflector	100.	47-225160-009	N.A. Chain Lube (spray can) -
49.	47-014009-004	Spacer		*G34-205116-000	R.O. Pinsetter Chain Lube (12 oz. can)
50.	11-051075-001	Hex Hd. Machine Screw (8 mm x 70 mm)	101.	11-052928-001	Flat Hd. Socket Screw (M6 x 10 mm)
51.	11-052031-001	Flat Washer (9 mm)	102.	47-085081-004	GS-X Label
52.	47-014060-003	Ejector	103.	47-085579-003	Danger/Warning Label
53.	11-052008-001	Flat Washer (6.4 mm)	104.	47-014974-003	Pulley Guard GS-96 and Above Plastic
54.	11-051018-001	Hex Hd. Machine Screw (6 mm x 20 mm)	105.	47-243071-004	N.A. Mechanic's Remote Box w/ Cable (Consolidated)
55.	11-051743-001	Locknut (6 mm)		47-243071-000	R.O. Rear Control Box
56.	47-243027-004	Switch (silver box consolidated and nexgen)	106.	47-014766-009	Elevator Shaft Kit (square frame hole, two pieces)
57.	99-050234-004	Switch Plate	107.	47-0135533-009	Pivoting Lever Assembly
58.	11-052037-001	Flat Washer (6.4 mm)			
59.	11-052213-001	Slotted Machine Screw			

N.A. = No Longer Available
R.O. = Replacement Option

* Not Illustrated

Elevator Assembly - Square Frame Hole Short Pit Machines Series 43 and Above



**Elevator Assembly - Square Frame Hole
Short Pit Machines Series 43 and Above**