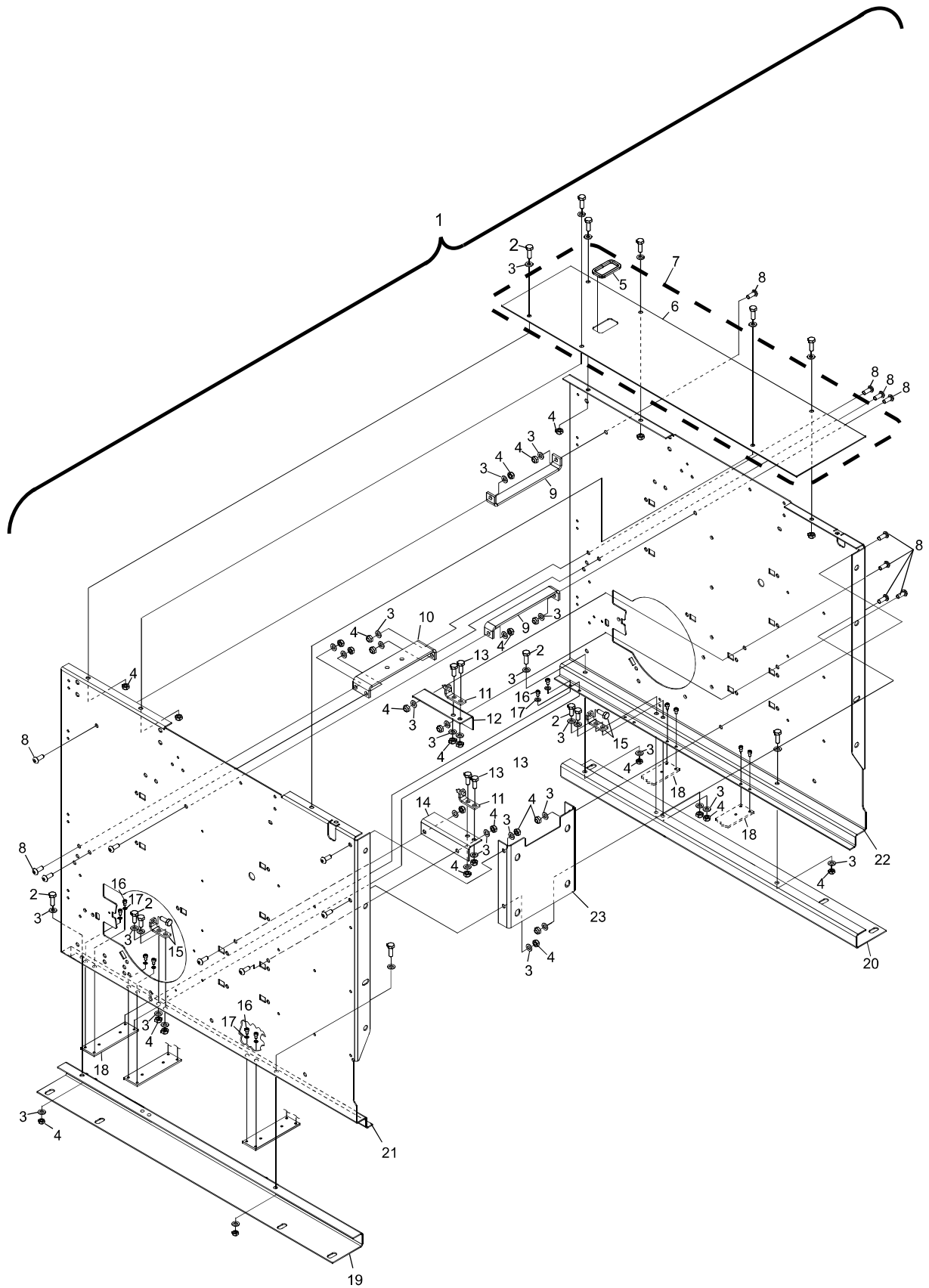


Index No.	Part No.	Package / Order Reference	Description
1.	55-109490-000		Accelerator Box Assembly
2.	11-051045-000		Hex Head Cap Screw (M10 x 30 mm)
3.	11-052018-000		Flat Washer (M10)
4.	11-051745-000		Locknut (M10)
5.	47-083085-004		Edge Protection
6.	55-109287-000		Top Plate Ball Accelerator Box
7.	55-109287-001		Top Plate Assembly w/Edge Protection
8.	11-054805-000		Button Socket Head Screw (M10 x 25 mm)
9.	47-035207-000		Cross Support Brace
10.	47-035228-000		Cross Support Brace
11.	47-035220-003		Bracket for Ball Accelerator
12.	47-035223-000		Front Support R.H. For Ball Accelerator
13.	11-051019-000		Hex Head Cap Screw (M10 x 25 mm)
14.	47-035224-000		Front Support L.H. For Ball Accelerator
15.	47-035219-003		Angle Bracket
16.	11-051519-000		Socket Head Cap Screw (M6 x 10 mm)
17.	11-055250-001		Flat Washer
18.	47-035204-003		Plate
19.	55-109494-000		C-Profile, L.H.
20.	55-109493-000		C-Profile, R.H.
21.	55-109492-000		Side Plate, L.H.
22.	55-109491-000		Side Plate, R.H.
23.	47-035208-000		Support Plate

Accelerator Box Assembly (Subway)



Accelerator Box Assembly (Subway)