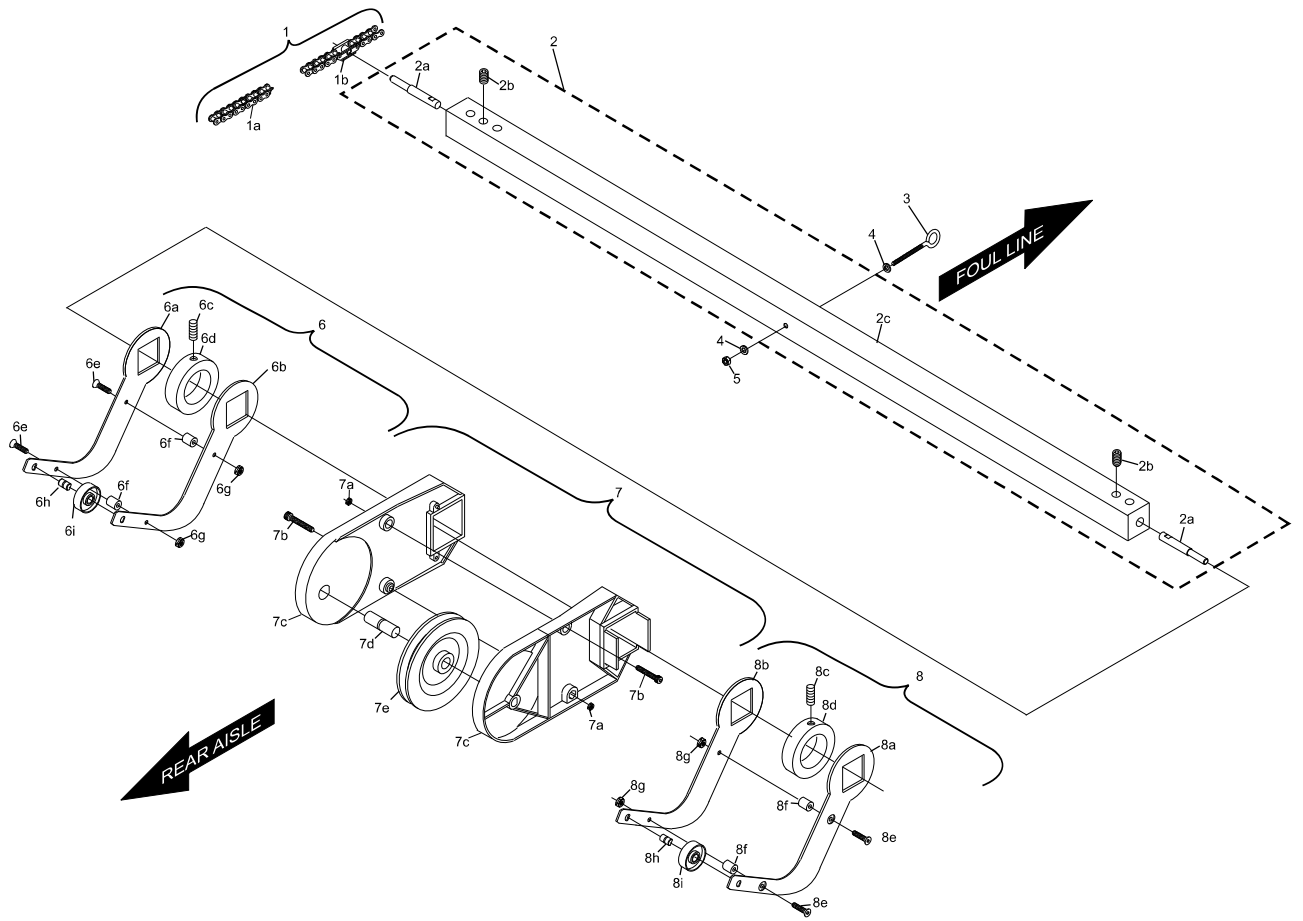


Index No.	Part No.	Package / Order Reference	Description
1.	55-060240-009		Chain Assembly Complete - includes index Nos 1a, and 1b.
	1a. 55-060714-004		Roller Chain
	1b. 55-060212-003		Special Link
2.	55-030201-009		Pull Shaft Assembly - includes index Nos 2a, 2b, and 2c.
	2a. 55-030193-004		Pin
	2b. 11-053101-001		Socket Set Screw (M6 x 8 mm)
	2c. 55-030235-003		Pull Shaft
3.	10-050010-001		Eye Bolt (M6 x 40 mm)
4.	11-052037-001		Flat Washer (M10)
5.	11-051743-001		Hex Locknut (M6)
6.	55-030205-009		Lever Assembly (Left Hand) - includes index Nos 6a, 6b, 6c, 6d, 6e, 6f, 6g, 6h, and 6i.
	6a. 55-030709-003		Lever (Left Hand)
	6b. 55-030197-003		Common Lever
	6c. 11-053105-001		Socket Set Screw (M6 x 16 mm)
	6d. 55-030195-004		Stop Collar
	6e. 11-052934-001		Socket Screw - Countersunk Flat Head
	6f. 47-051633-004		Spacer Bushing
	6g. 11-051743-001		Hex Locknut (M6)
	6h. 55-030199-004		Roller Axel
	6i. 55-030200-009		Roller
7.	55-030202-009		Return Lever Housing Assembly - includes index Nos. 7a, 7b, 7c, 7d, and 7e.
	7a. 11-051742-001		Hex Locknut (M5)
	7b. 11-051542-001		Socket Head Cap Screw (M5 x 25 mm)
	7c. 55-030196-003		Return Lever Housing
	7d. 55-030404-004		String Pulley Axel
	7e. 55-030408-009		String Idler Pulley
8.	55-030204-009		Lever Assembly (Right Hand) - includes index Nos. 8a, 8b, 8c, 8d, 8e, 8f, 8g, 8h, and 8i.
	8a. 55-030708-003		Lever (Right Hand)
	8b. 55-030197-003		Common Lever
	8c. 11-053105-001		Socket Set Screw (M6 x 16 mm)
	8d. 55-030195-004		Stop Collar
	8e. 11-052934-001		Socket Screw - Countersunk Flat Head
	8f. 47-051633-004		Spacer Bushing
	8g. 11-051743-001		Hex Locknut (M6)
	8h. 55-030199-004		Roller Axel
	8i. 55-030200-009		Roller

## String Wagon Assembly



### String Wagon Assembly