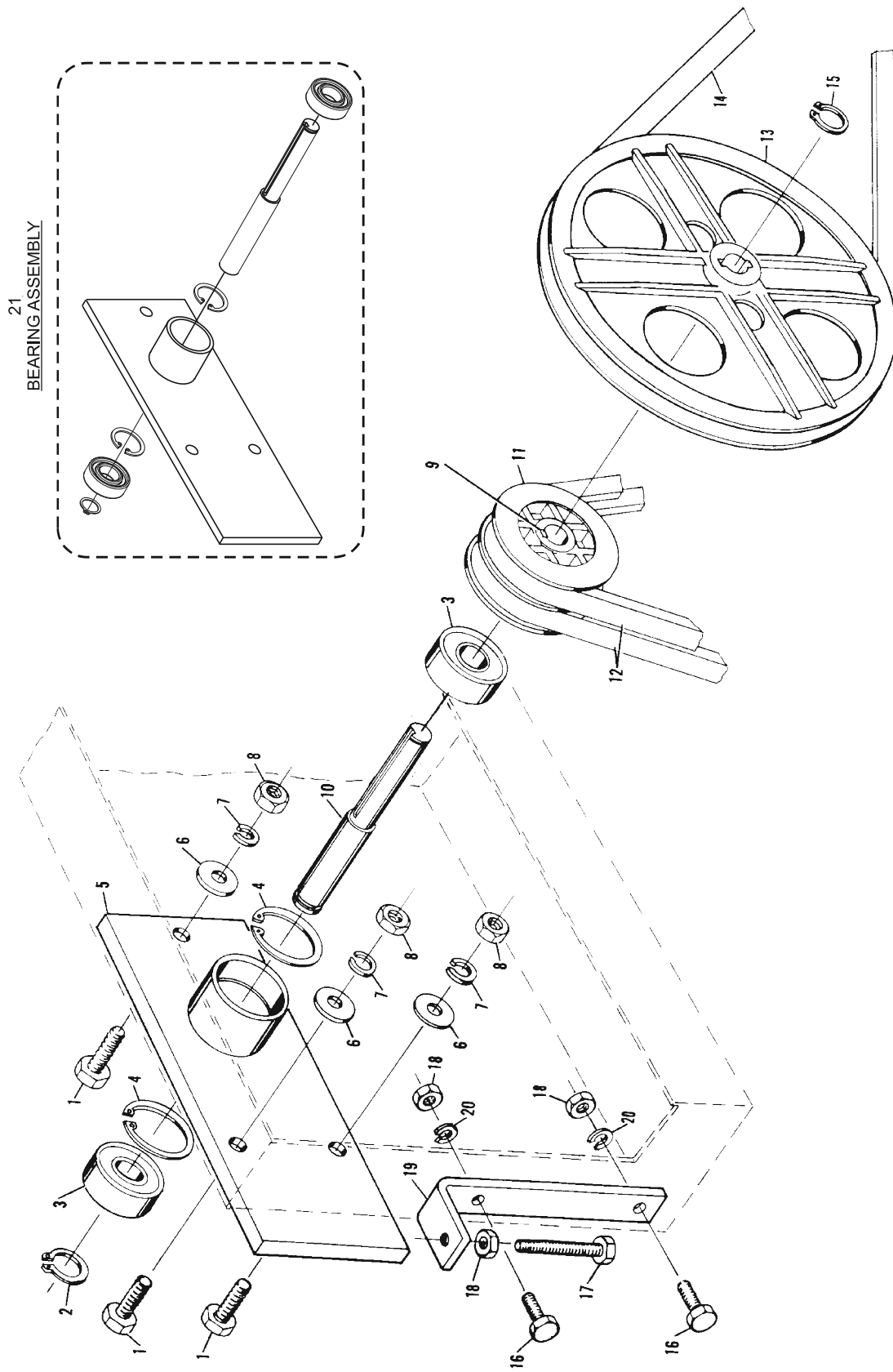


Index		
No.	Part No.	Description
1.	11-051045-001	Hex Hd. Cap Screw (10 mm x 30 mm)
2.	11-051853-001	Retaining Ring (20 mm)
3.	11-430050-000	Bearing
4.	11-051901-001	Retaining Ring (47 mm)
5.	47-071497-003	Bearing Flange
6.	11-052050-001	Flat Washer (10.5 mm)
7.	11-051771-001	Lockwasher (10 mm)
8.	11-051703-001	Hex Nut (10 mm)
9.	11-053494-000	Key (5 mm x 5 mm x 32 mm)
10.	47-070340-003	Idler Shaft
11.	47-070990-003	Double Pulley
12.	11-053903-000	V-Belt (8 mm x 13 mm x 1375 mm)
13.	99-070162-002	Pulley
14.	11-053901-000	V-Belt (10 mm x 6 mm x 875 mm)
15.	11-051852-001	Retaining Ring (17 mm)
16.	11-051010-001	Hex Hd. Cap Screw (8 mm x 20 mm)
17.	11-051032-001	Hex Hd. Cap Screw (8 mm x 55 mm)
18.	11-051704-001	Hex Nut (8 mm)
19.	47-071482-004	Tensioning Bracket
20.	11-051770-001	Lockwasher (8 mm)
21.	47-073520-009	Bearing Assembly (includes index numbers 2, 3, 4, 5, and 10)

Front Pulley and V-Belt Tensioner Assembly



Front Pulley and V-Belt Tensioner Assembly