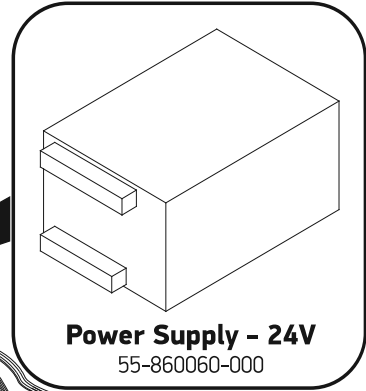
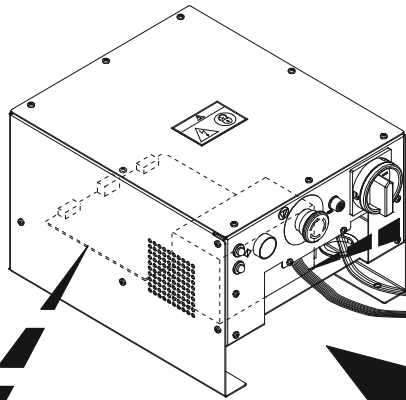
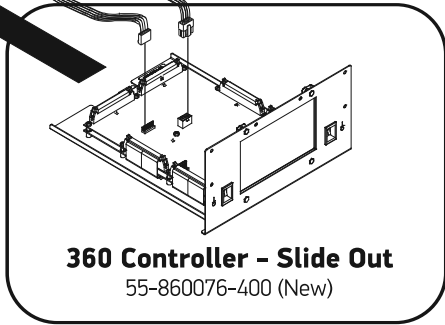


**360 Controller - UL 208V/230V**  
55-860075-230

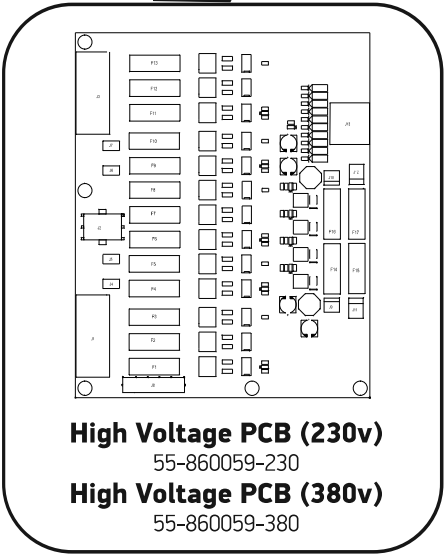
**360 Controller - CE 380V/400V**  
55-860075-400



**Power Supply - 24V**  
55-860060-000



**360 Controller - Slide Out**  
55-860076-400 (New)

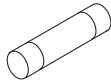


**High Voltage PCB (230v)**

55-860059-230

**High Voltage PCB (380v)**

55-860059-380



<i>0.5A 250V Slow Blow - Pkg of 1</i> 11-685056-000
<i>2.0A 250V Slow Blow - Pkg of 4</i> 57-861635-000
<i>3.0A 250V Slow Blow - Pkg of 4</i> 57-861874-000
<i>3.15A 250V Fast Blo - Pkg of 5</i> 47-862854-000

**Fuses**

## 360 Controller