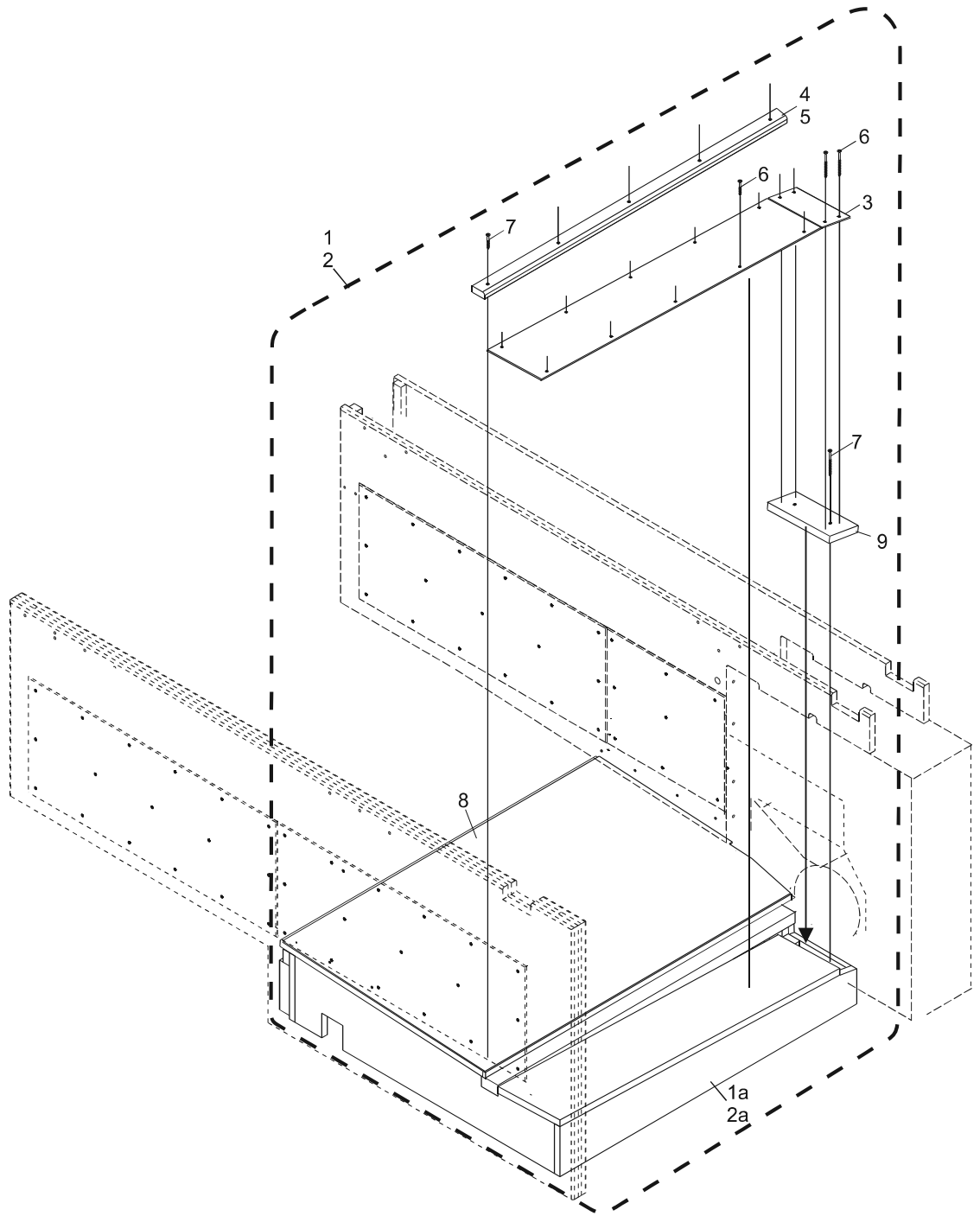


Index No.	Part No.	Package / Order Reference	Description
1.	55-273200-009		Pit Assembly Complete - Right Lane (Shown)
	1a. 55-273200-000		Pit Frame Assembly - Right Lane (Shown)
2.	55-273201-009		Pit Assembly Complete - Left Lane (Not Shown)
	2a. 55-273201-000		Pit Frame Assembly - Left Lane (Not Shown)
3.	55-273200-004		Bended Plate
4.	55-273200-003		Strip - Right Lane (Shown)
5.	55-273201-003		Strip - Left Lane (Not Shown)
6.	11-051892-001		T-20 Torx Self Tap Counter Sink (M4.5 x 25)
7.	11-051893-001		T-25 Torx Self Tap Counter Sink (M5 x 60)
8.	55-273200-001		Protector Plate (Carpet)
9.	55-273200-005		Top Plate

Pit Assembly



Pit Assembly