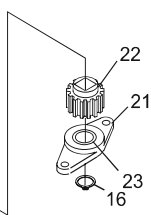
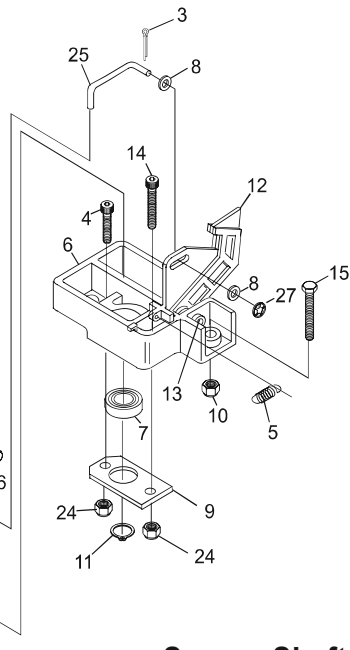
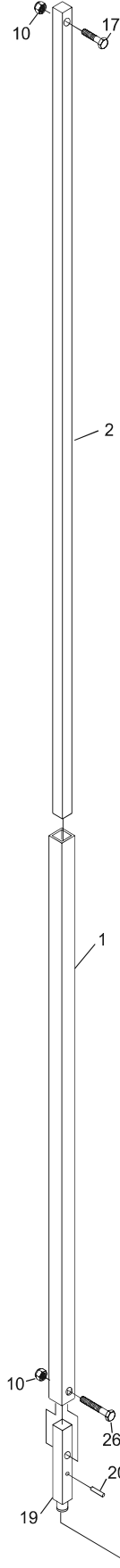
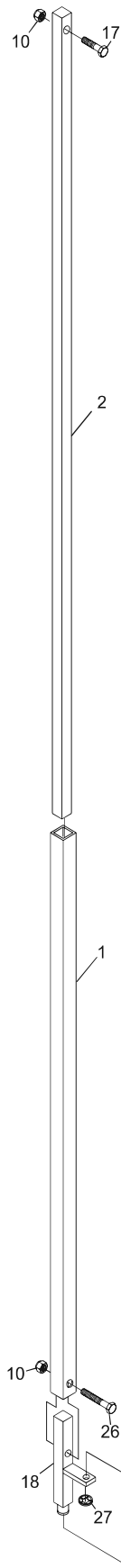


Index		
No.	Part No.	Description
1.	47-055124-004	Square Shaft (16 mm middle)
2.	47-055125-004	Square Shaft (12 mm top)
3.	11-051795-001	Cotter Pin (1.6 mm x 16 mm)
4.	11-051522-001	Socket Hd. Cap Screw (5 mm x 16 mm)
5.	47-051782-004	Tension Spring
6.	47-051621-003	Base
7.	11-430046-000	Bearing
8.	11-052025-001	Flat Washer (4.3 mm)
9.	47-051622-004	Bearing Plate
10.	47-055605-004	Bearing Plate (series 446 and above)
11.	11-051854-001	Retaining Ring (8 mm)
12.	47-051674-004	Latch
13.	47-055151-004	Dowel Pin (8 mm x 24 mm)
14.	11-051514-001	Socket Hd. Cap Screw (6 mm x 16 mm)
15.	11-051024-001	Hex Hd. Cap Screw (6 mm x 70 mm)
16.	11-051855-001	Retaining Ring (10 mm)
17.	11-051030-001	Hex Hd. Cap Screw (5 mm x 20 mm)
18.	47-055127-004	L.H. Bottom Shaft Bracket - pin release
19.	47-055126-004	R.H. Bottom Shaft Bracket - spotting tong
20.	11-052680-001	Roll Pin (2 mm x 18 mm)
21.	11-430048-000	Bearing
22.	47-071615-004	Square Shaft Gear
23.	47-051625-004	Square Shaft Support
24.	11-051742-001	Self Locking Hex Nut (5 mm)
25.	47-055138-004	Connecting Link (includes 2 speed nuts)
26.	11-051004-001	N.A. Hex Hd. Cap Screw (5 mm x 25 mm)
	47-861001-001	R.O. Hex Hd. Cap Screw (5mm x 25 mm) Pkg. of 10
27.	11-053476-001	Speed Nut Pkg. of 10
28.	11-051747-001	Self Locking Nut (5 mm)

**Square Shaft Assemblies
(Tower Down) - Series 443 and Later**



**Square Shaft Assemblies
(Tower Down) - Series 443 and Later**