

**Index**

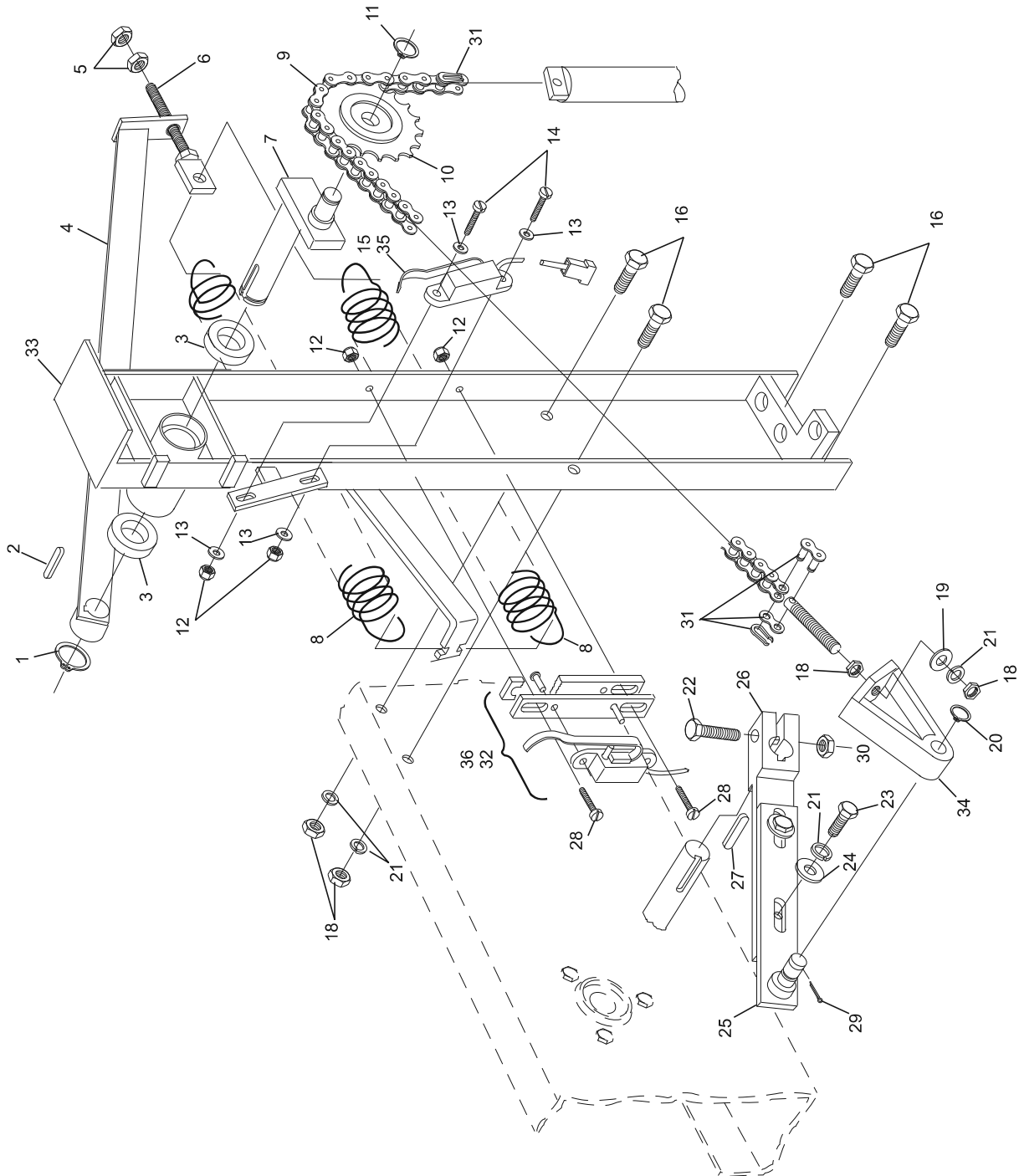
| <b>No.</b> | <b>Part No.</b> | <b>Description</b>                                   |
|------------|-----------------|--|
| 1.         | 11-051856-001   | Retaining Ring (25 mm)                               |
| 2.         | 11-053497-000   | Key (8 mm x 7 mm x 32 mm)                            |
| 3.         | 11-430052-000   | Bearing  |
| 4.         | 47-071589-003   | Jam Lever  |
| 5.         | 11-051703-001   | Hex Nut (10 mm)                                      |
| 6.         | N.A.            | Tension Screw  |
| 7.         | 47-071591-004   | Sprocket Shaft                                       |
| 8.         | 55-050635-004   | Spring   |
| 9.         | 11-601007-000   | Roller Chain (64 Link)                               |
| 10.        | 47-011053-004   | Sprocket   |
| 11.        | 11-051852-001   | Retaining Ring (17 mm)                               |
| 12.        | 11-051741-001   | Locknut (4 mm)                                       |
| 13.        | 11-052025-001   | Flat Washer (4.3 mm)                                 |
| 14.        | 11-052207-001   | N.A. Slotted Machine Screw (4 mm x 12 mm)            |
|            | 47-861015-001   | R.O. Slotted Machine Screw (4 mm x 12 mm) Pkg. of 20 |
| 15.        | 99-050229-004   | Switch (red box only)                                |
| 16.        | 11-051005-001   | Hex Hd. Cap Screw (10 mm x 20 mm)                    |
| 17.        | 47-071975-004   | Threaded Connector                                   |
| 18.        | 11-051706-001   | Hex Nut (12 mm)                                      |
| 19.        | 11-052024-001   | N.A. Flat Washer (13 mm)                             |
|            | 47-861010-001   | R.O. Flat Washer (13 mm) Pkg. of 20                  |
| 20.        | 11-052052-001   | Flat Washer (18 mm)                                  |
| 21.        | 11-051772-001   | Lockwasher (12 mm)                                   |
| 22.        | 11-051057-001   | Hex Hd. Cap Screw (10 mm x 60 mm)                    |
| 23.        | 11-051009-001   | Hex Hd. Cap Screw (12 mm x 30 mm)                    |
| 24.        | 11-052053-001   | N.A. Flat Washer (17 mm)                             |
|            | 47-861011-001   | R.O. Flat Washer (17 mm) Pkg. of 10                  |
| 25.        | 47-071341-003   | Crank Arm  |
| 26.        | 47-071342-003   | Crank  |
| 27.        | 11-053495-000   | Key (8 mm x 7 mm x 40 mm)                            |
| 28.        | 11-052206-001   | Slotted Machine Screw (4 mm x 25 mm)                 |
| 29.        | 11-051786-001   | Split Pin (2.5 mm x 25 mm)                           |
| 30.        | 11-051745-001   | Locknut (10 mm)                                      |
| 31.        | 11-600500-000   | Master Link (3 pieces)                               |
| 32.        | 99-050230-004   | Switch (red box)                                     |
| 33.        | *N.A.           | Guide Beam   |
| 34.        | 47-071343-004   | Clevice  |
| 35.        | 47-243026-004   | Switch (silver box, consolidated and nexgen)         |
| 36.        | 47-243027-004   | Switch (ssilver box, consolidated and nexgen)        |

*N.A. = No Longer Available*

*R.O. = Replacement Option*

\* Order two piece guide beam on page 28G to replace single piece guide beam.

## One Piece Guide Tower Assembly



**One Piece  
Guide Tower Assembly**