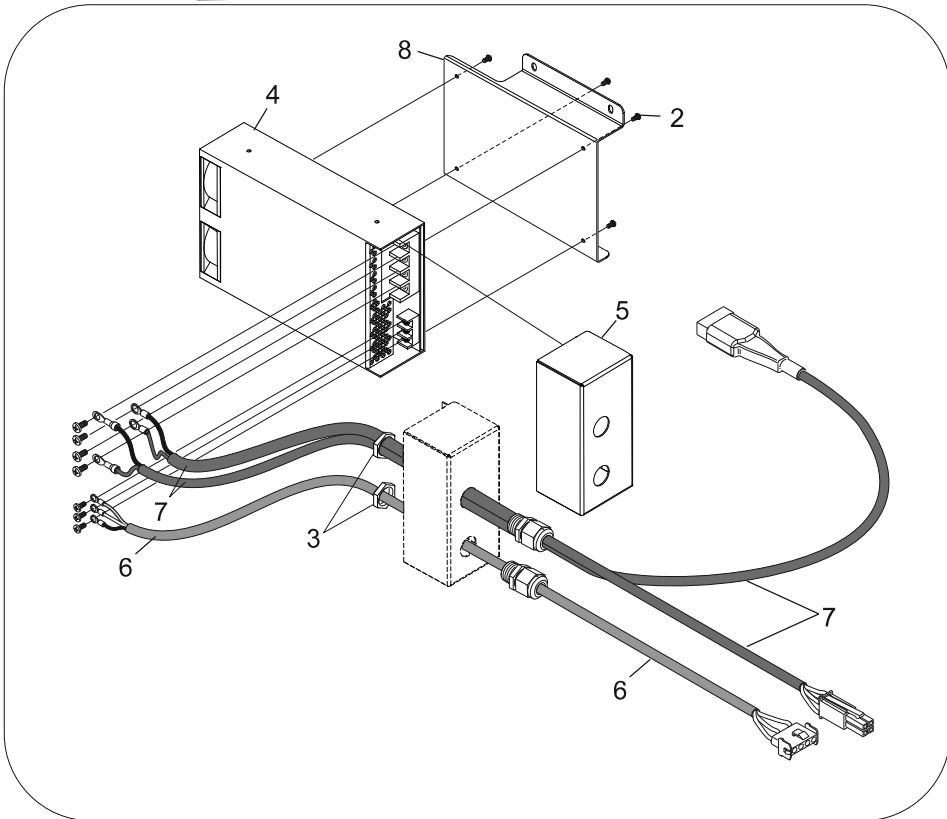
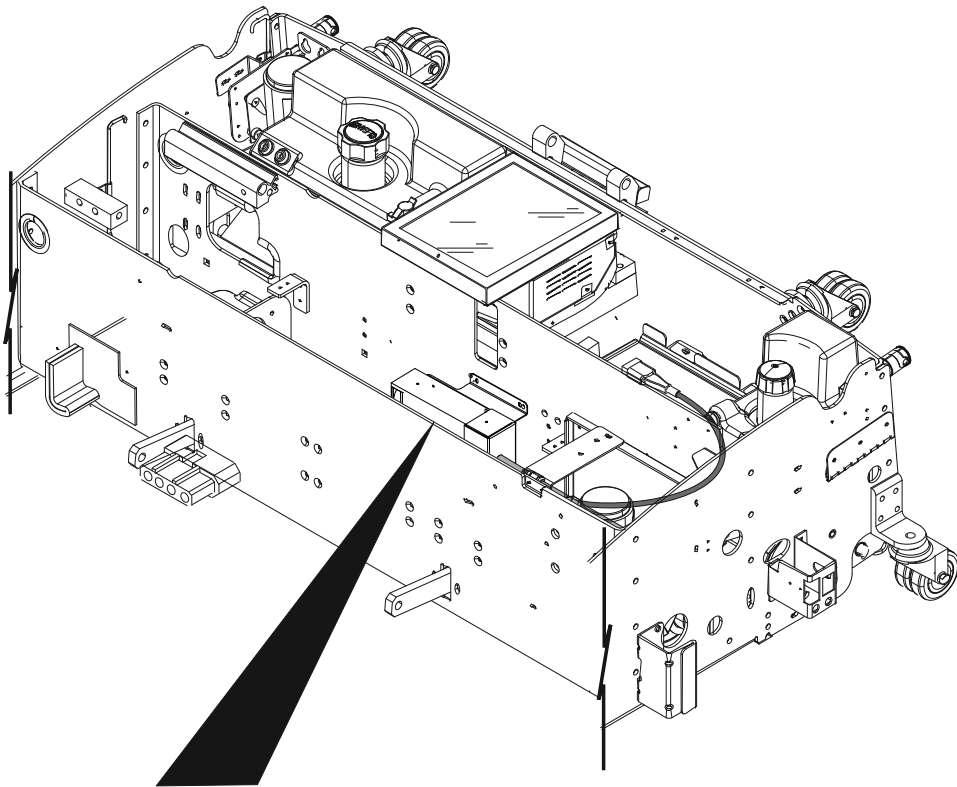


Index No.	Part No.	Description
1.	14-101948000	AC/DC Power Supply and Mount Bracket Assembly
2.	11-056006-015	Button Head Screw w/External Tooth Washer (M4 x 6 mm)
3.	11-615132-000	Locknut (1/2 NPT)
4.	14-101957-001	AC/DC Power Supply Cable
5.	14-101950-000	Splash Guard
6.	14-101888-000	Input Power to Power Supply Cable Assembly
7.	14-101036-000	AC/DC Power Supply Sensing Cable Assembly
8.	14-100947-000	Power Supply Bracket

AC/DC Power



AC/DC Power