

Index			Index		
No.	Part No.	Description	No.	Part No.	Description
1.	47-031455-001	N.A. Ball Accelerator Frame	30.	11-051028-001	Hex Hd. Cap Screw (6 mm x 25 mm)
	47-275705-009	R.O. Ball Accelerator Frame (208/230V)	31.	11-051702-001	Hex Nut (6 mm)
	*47-275706-009	N.A. Ball Accelerator Pkg. (380V)	32.	47-031603-003	Motor Mounting Bracket
2.	47-031248-004	Tension Spring	33.	11-051769-001	Lockwasher (6 mm)
3.	47-031440-003	Tension Bar	34.	11-051704-001	Hex Nut (8 mm)
4.	11-051703-001	Hex Nut (10 mm)	35.	47-031604-004	Shaft
5.	11-053501-000	Key (5 mm x 5 mm x 25 mm)	36.	11-051805-001	Split Pin (2.5 mm x 20 mm)
6.	47-031454-002	Pivoting Lever	37.	47-031307-004	Angle Bracket
7.	47-031456-004	Axle	38.	11-051743-001	Locknut (6 mm)
8.	11-052926-001	Flat Hd. Cap Screw (10 mm x 20 mm)	39.	99-010123-004	Bushing
9.	11-051045-001	Hex HD. Cap Screw (10 mm x 30 mm)	40.	47-031453-004	Spring Bracket
10.	11-051745-001	Locknut (10 mm)	41.	99-020163-004	Spring
11.	10-635127-000	Flat Belt	42.	**47-033867-004	Motor Drive Pulley
12.	***47-035232-002	Front Driving Drum Complete - Spacers not included	43.	11-053904-000	V-Belt (10 mm x 6 mm x 950 mm, 50Cy, export only)
	*47-035234-004	Spacer - needed when replacing Driving Drum (2 each)		11-053907-000	V-Belt (10 mm x 6 mm x 925 mm) 60Cy - domestic only)
13.	47-035064-099	Rear Driving Drum Complete - spacers not included	44.	11-052804-001	Set Screw (16 mm x 8 mm)
	*47-035234-004	Spacer - needed when replacing Driving Drum (2 each)	45.	11-051018-001	Hex Hd. Cap Screw (6 mm x 20 mm)
14.	11-051015-001	Hex Hd. Cap Screw (8 mm x 25 mm)	46.	11-052048-001	Flat Washer (6.4 mm)
15.	11-052028-001	Flat Washer (10.5 mm)	47.	99-040113-002	N.A. Ball Accelerator Motor (1/2 H.P., 230VAC/380VAC)
16.	11-052017-001	Flat Washer (8.4 mm)		99-076363-000	R.O. Distributor Motor (1/2 H.P., 240/400VAC) w/Integral Brake
17.	11-051744-001	Locknut (8 mm)		99-040295-004	N.A. Accelerator Motor (1/2 H.P., 208VAC)
18.	11-052017-001	Flat Washer (8.4 mm)		99-076362-000	R.O. Distributor Motor (208VAC, 0.37kW)
19.	47-862787-000	Protective Cover (Pkg. of 4)	48.	47-032500-004	Ball Stop (for welded configuration)
20.	11-052609-001	N.A. Carriage Bolt (8 mm x 100 mm)	49.	47-032125-003	Guard Bracket
	47-861021-001	R.O. Carriage Bolt (8 mm x 100 mm) Pkg. of 5	50.	47-032126-003	Ball Stop
21.	11-680925-000	N.A. Strain Relief	51.	47-033504-004	Flat Belt Guard Complete
	11-055080-000	R.O. Strain Relief	52.	11-052610-001	N.A. Carriage Belt (6 mm x 20 mm)
22.	68-100192-000	N.A. Cable Assembly	53.	11-051770-001	Lockwasher (8 mm)
	*47-142614-000	Cable Assembly (GS Consolidated Electronics)	54.	47-022519-000	N.A. Ball Wipe w/Sleeve
23.	47-031309-001	Ball Rod		47-022519-002	N.A. Sleeve only
24.	53-520634-001	Transition Track (GS Accelerators to Return Track)	55.	47-030924-003	Drive Disc
25.	11-051045-001	Hex Hd. Cap Screw (10 mm x 30 mm)			
26.	11-051771-001	Lockwasher (10 mm)			
27.	11-052018-001	Flat Washer (10.5 mm)			
28.	47-031261-004	Spacer			
29.	11-053577-000	Rubber Bumper (6 mm Thread)			

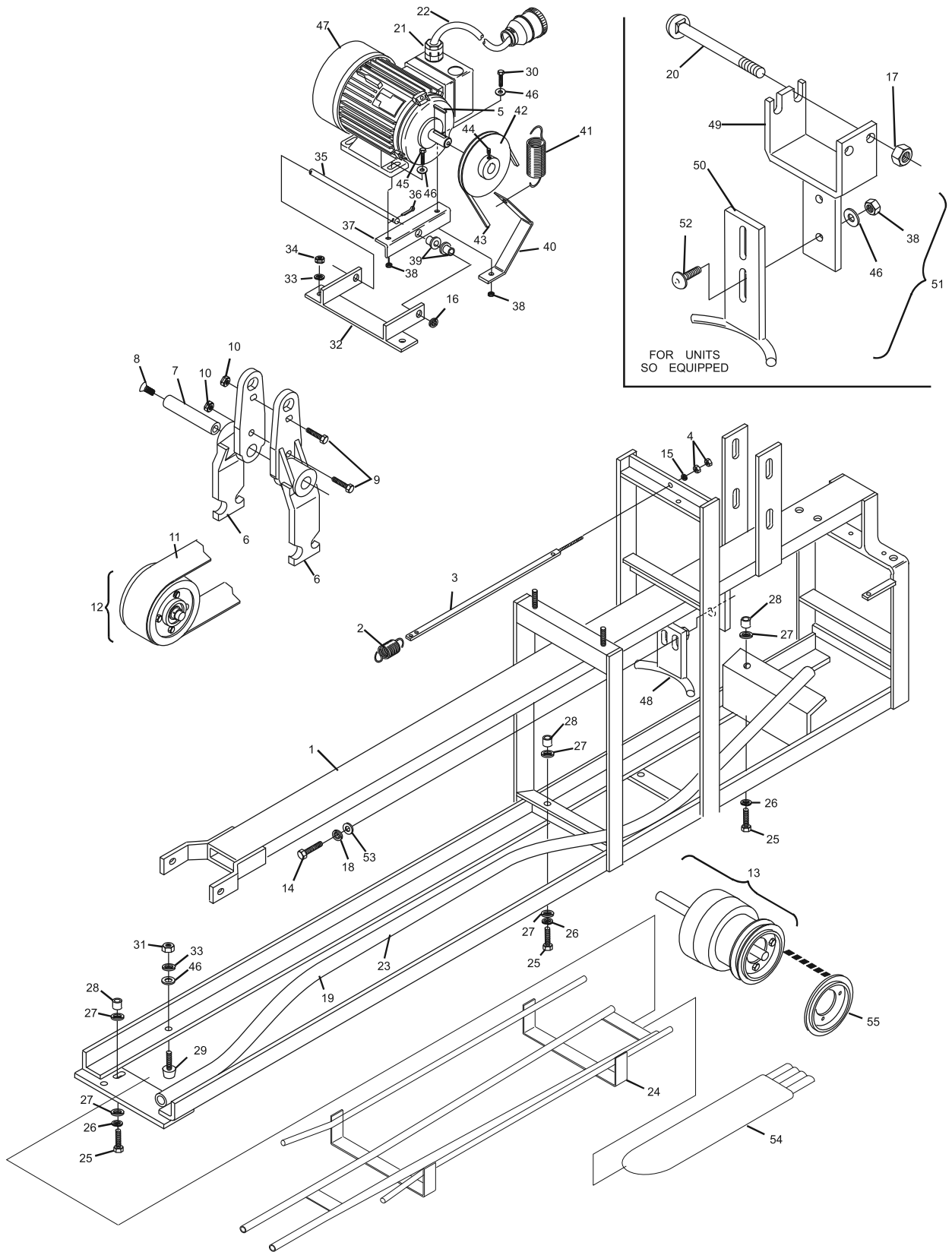
N.A. = No Longer Available

* Not Illustrated

** Replaces 47-031306-004 Motor Drive Pulley

*** Replaces 47-035063-009 Front Drive Drum

Ball Accelerator



FOR UNITS
SO EQUIPPED

Ball Accelerator