

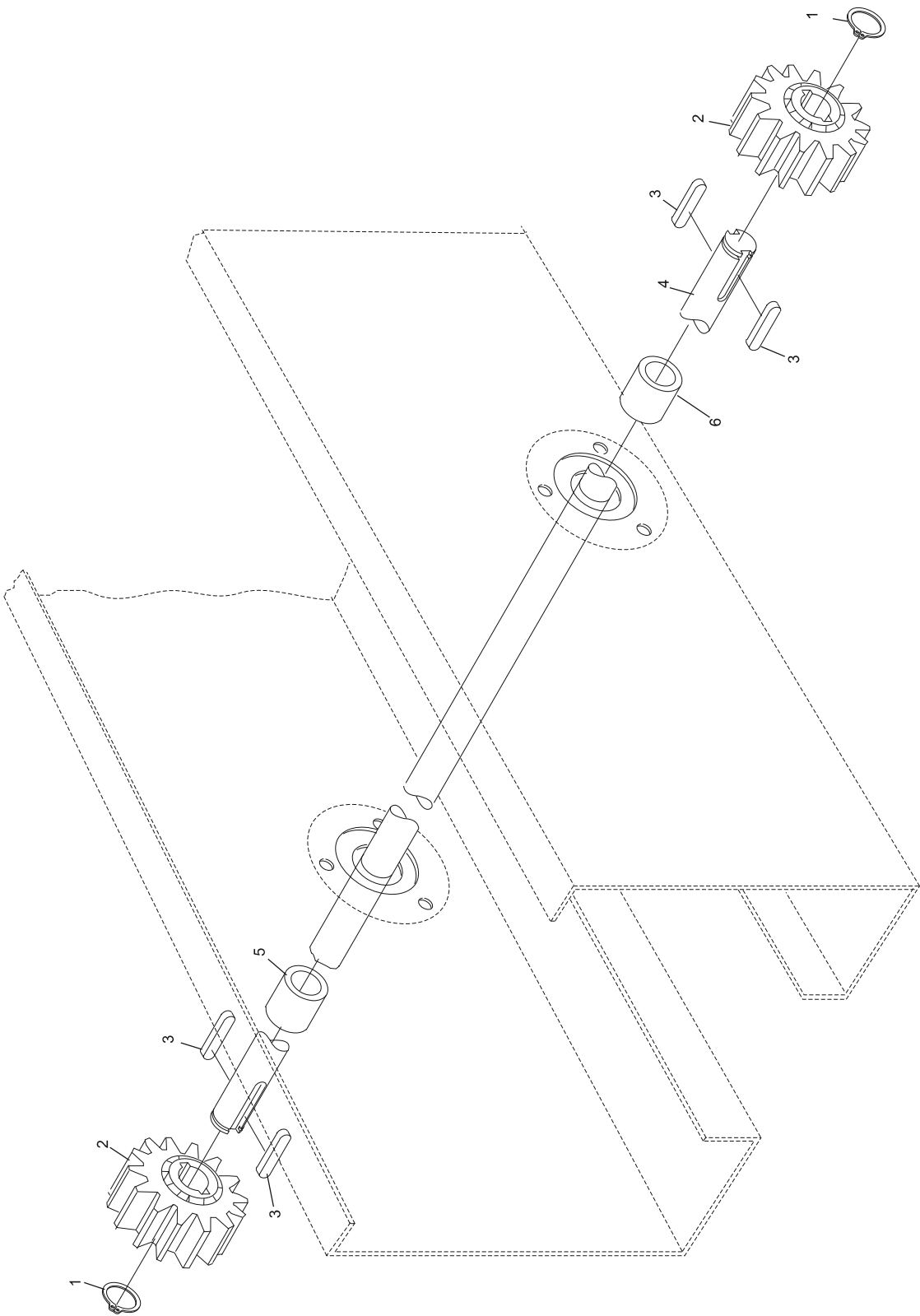
Index

No.	Part No.		Description
1.	11-051856-001		Retaining Ring (25 mm)
2.	N.A.		Pinion Gear (Plastic)
	47-071449-604	N.A.	Sintered Iron Pinion Gear
	47-071449-609	R.O.	Pkg. Metal Pinion Gear
3.	11-053495-000		Key (8 mm x 7 mm x 40 mm)
4.	47-071452-004		Shaft
5.	47-073584-004		R.H. Spacer Bushing (61.5 mm)
6.	47-071451-004		L.H. Spacer Bushing (43.5 mm)

N.A. = No Longer Available

R.O. = Replacement Option

Setting Table Pinion Shaft Assembly



Setting Table Pinion Shaft Assembly