

Index No.	Part No.	Description
1.	11-051030-001	Hex Hd. Cap Screw (5 mm x 20 mm)
2.	11-052039-001	Flat Washer (5.3 mm)
3.	11-051742-001	Locknut (5 mm)
4.	11-051744-001	Locknut (8 mm)
5.	11-051043-001	Hex Hd. Cap Screw (8 mm x 12 mm)
6.	47-097509-000	OEM Overflow Pin Sock
	47-022531-000	N.A. Sock (Black)
	47-092529-600	Sock - heavy duty (White)
7.	11-603301-000	Overflow Chute Clamp
8.	*47-095739-009	L.H. Plastic Chute
9.	*47-095740-009	R.H. Plastic Chute
10.	47-095080-004	Support Bracket
11.	47-093937-003	N.A. L.H. Chute Assembly
	47-095739-009	R.O. L.H. Chute Assembly w/o Sock
	47-093938-003	N.A. R.H. Chute Assembly
	47-095740-009	R.O. R.H. Chute Assembly w/o Sock
12.	47-860003-000	Pin Wipe
13.	47-093749-004	Chute Bracket

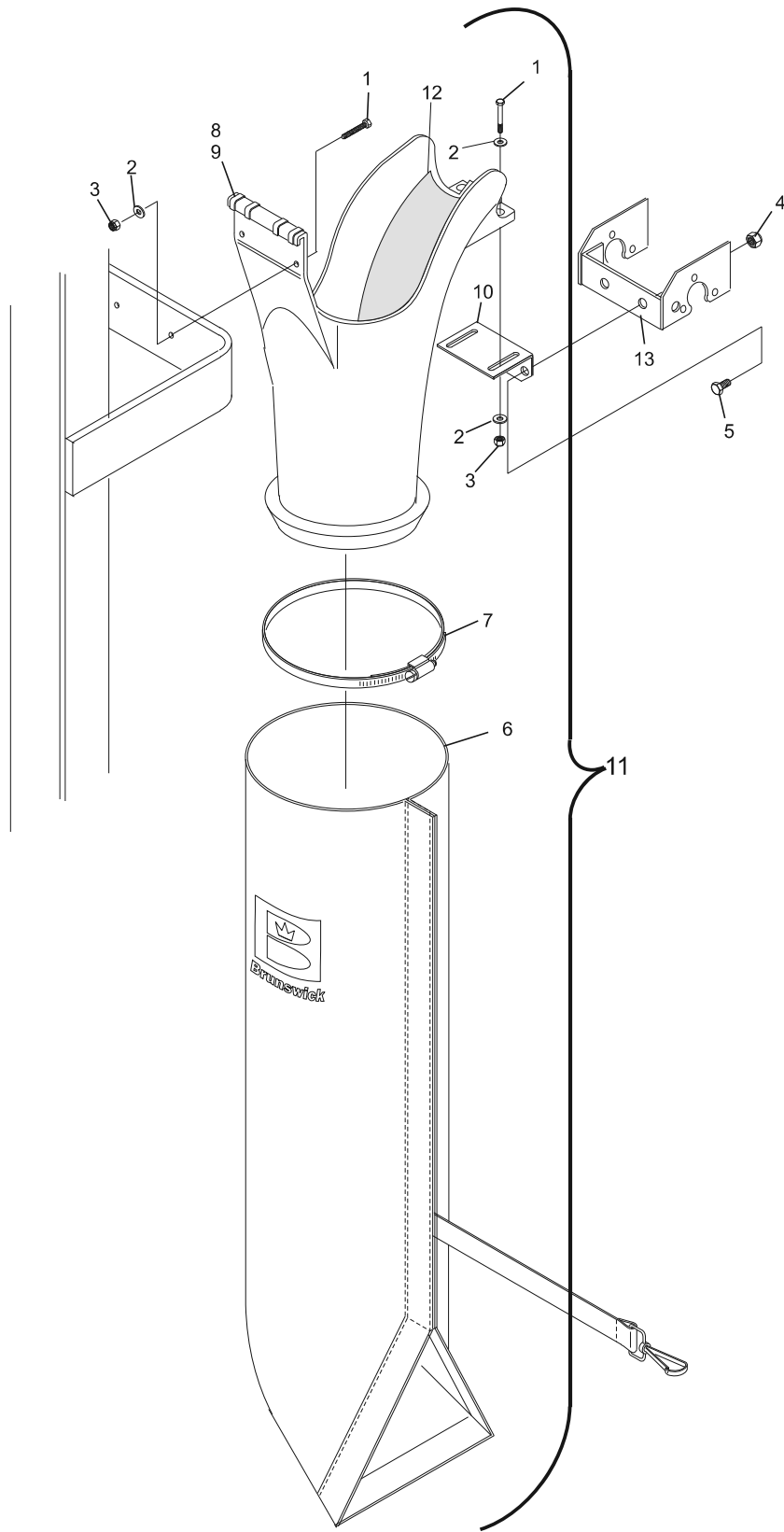
N.A. = No Longer Available
R.O. = Replacement Option

* When ordering - order the new style chute part numbers:
47-095738-001 L.H. Plastic Chute - only
47-095737-001 R.H. Plastic Chute - only
And order upgrade kit 47-275731-009 to upgrade to a shock mounted overflow chute, contains parts for two chutes.

** Order new shock mounted overflow chutes:
47-095740-009 R.H. Chute Assembly w/out Sock
47-095739-009 L.H. Chute Assembly w/out Sock

Reference page 11C.

Dual Feed Overflow Chute (Plastic)



Dual Feed Overflow Chute
(Plastic)