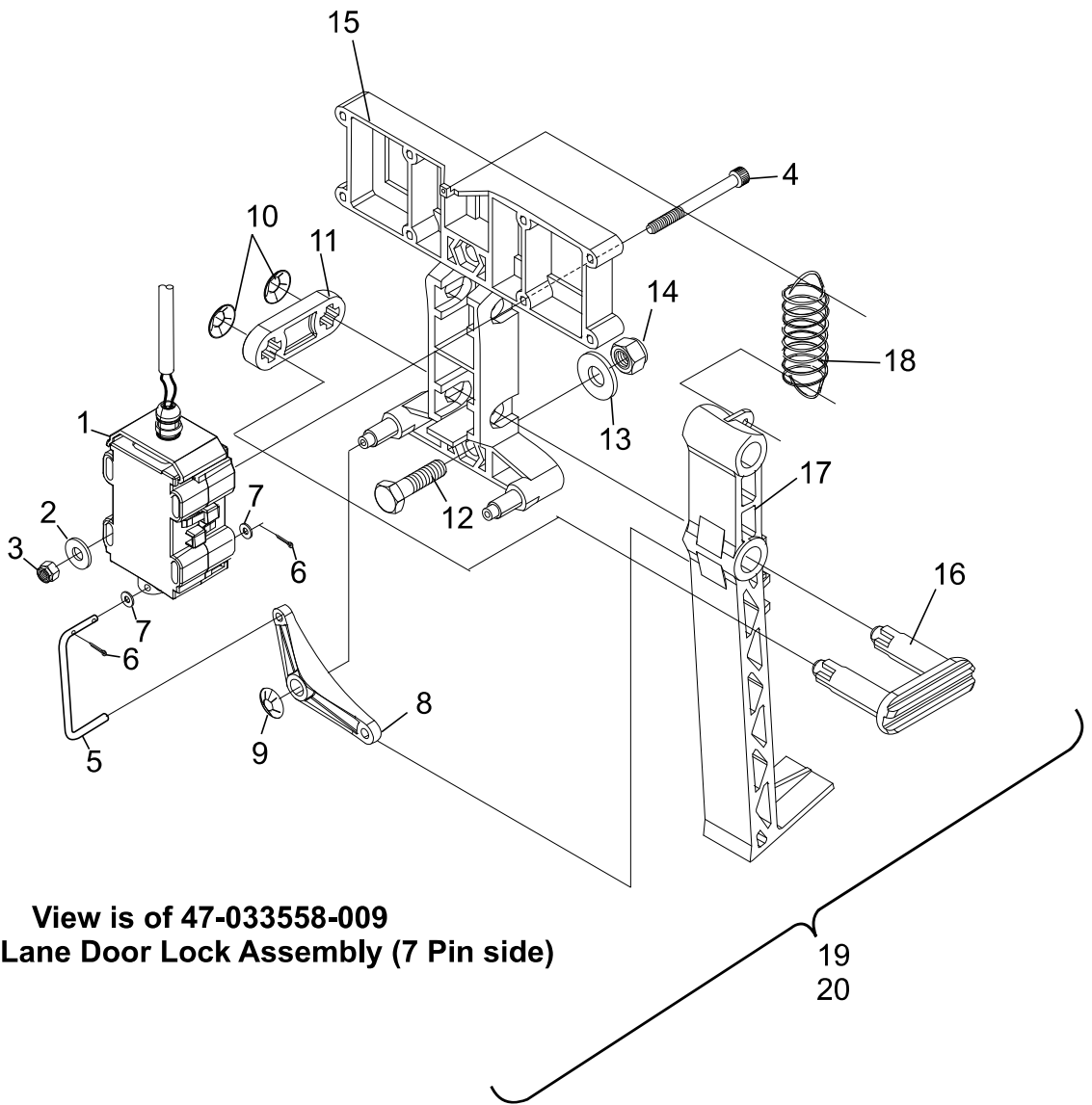


Index No.	Part No.	Package / Order Reference	Description
1.	99-070356-004		Solenoid Assembly
2.	11-052039-001		Flat Washer (5.3 mm)
3.	11-051742-001		Locknut (5 mm)
4.	11-051068-001		Hex Hd. Cap Screw (5 mm x 65 mm)
5.	47-031801-004		Connecting Link
6.	11-051791-001		Split (Cotter) Pin (1.6 mm x 10 mm)
7.	11-052025-001		Flat Washer (M4)
8.	47-031802-004		Lever
9.	11-053478-001		Speed Nut (8 mm)
10.	11-053480-001		Speed Nut (10 mm)
11.	47-031800-004		Pivot Link
12.	11-051021-001		Hex Hd. Cap Screw (10 mm x 35 mm)
13.	11-052028-001		Flat Washer (10.5 mm)
14.	11-051745-001		Locknut (10 mm)
15.	47-031796-002		Holder
16.	47-031798-004		Connecting Stud
17.	47-031797-002		Locking Bolt
18.	47-031799-004		Tension Spring
19.	47-033557-009		L.H. Door Lock Assembly
			Includes Index Numbers 1 through 18
20.	47-033558-009		R.H. Door Lock Assembly
			Includes Index Numbers 1 through 18

Ball Door/Lock Assembly (SUBWAY)



Ball Door/Lock Assembly (SUBWAY)