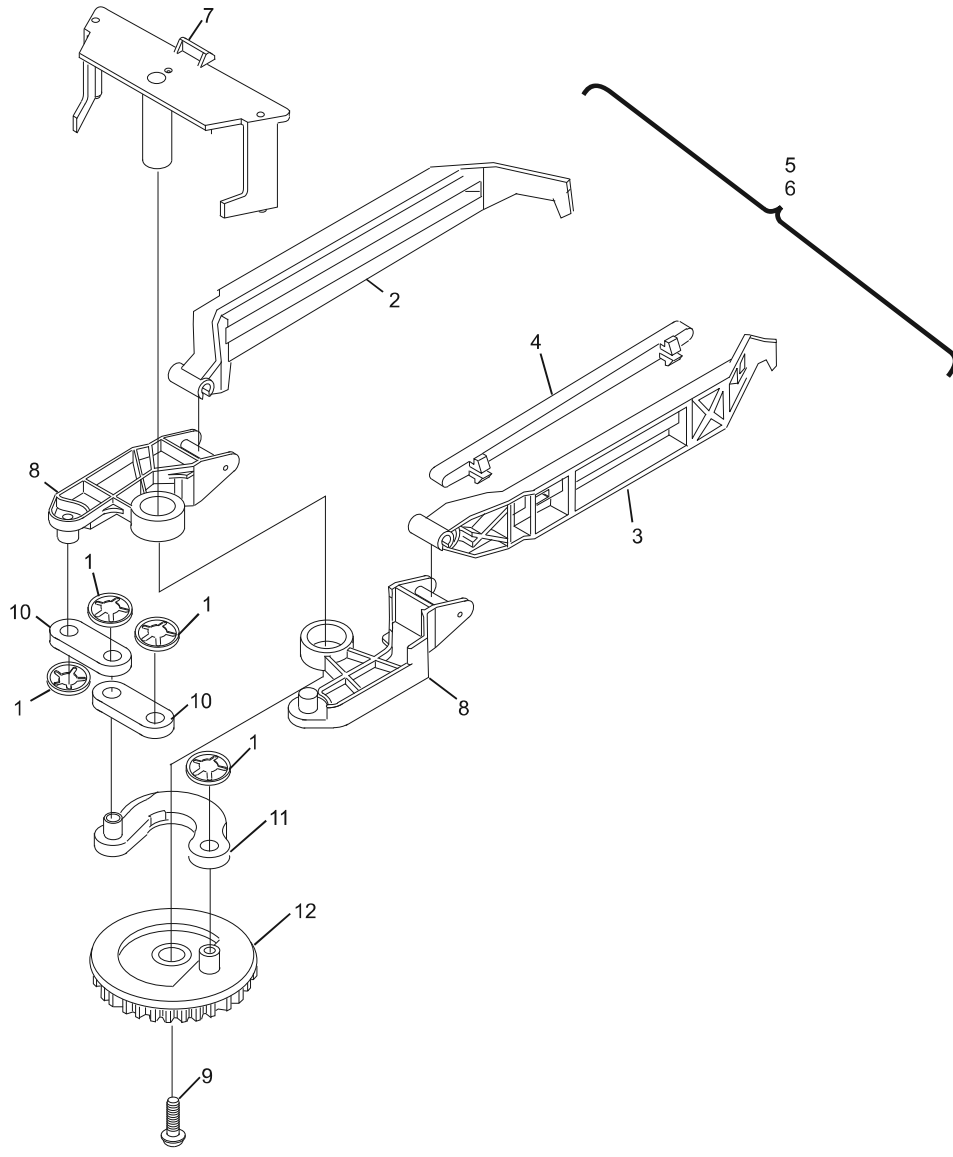


**Index**

<b>No.</b>	<b>Part No.</b>		<b>Description</b>
1.	11-053478-001	N.A.	Speed Nut (8 mm)
	47-861050-000	R.O.	Speed Nut (8 mm) Pkg. of 10
2.	47-054896-002		R.H.Tong
3.	47-055148-002		L.H. Tong
4.	47-051771-600		Double Damper Oversized Pkg. of 10
	47-051770-600		Double Damper - Standard Pkg. of 10
	47-051758-003		OEM Standard Damper
	47-051758-600		Urethane Damper - Oversized Pkg. of 10
	47-051758-500		PCV Damper - Oversized Pkg. of 10
5.	47-055117-009		Spotting Tong - Complete Assembly (Location 1, 4, 5, and 6)
6.	47-055118-009		Spotting Tong - Complete Assembly (Location 2, 3, 7, 8, 9, and 10)
7.	47-054902-002		Deck Plate
8.	47-054898-003		Spotting Tong Pivot (Locations 1, 4, 5 and 6)
	47-054897-003		Spotting Tong Pivot (Locations 2, 3, 7, 8 and 9) - 10 shown
9.	11-054459-000		Self Tapping, Torx Screw (K60 x 16 mm)
10.	47-051762-004		Connecting Link
11.	47-054900-003		Lever (locations 1, 4, 5, 6)
	47-054901-003		Lever (locations 2, 3, 7, 8, 9) - 10 shown
12.	47-054899-003		Gear

**GS Spotting Tong Assemblies  
New Style**



**GS Spotting Tong Assemblies  
New Style**