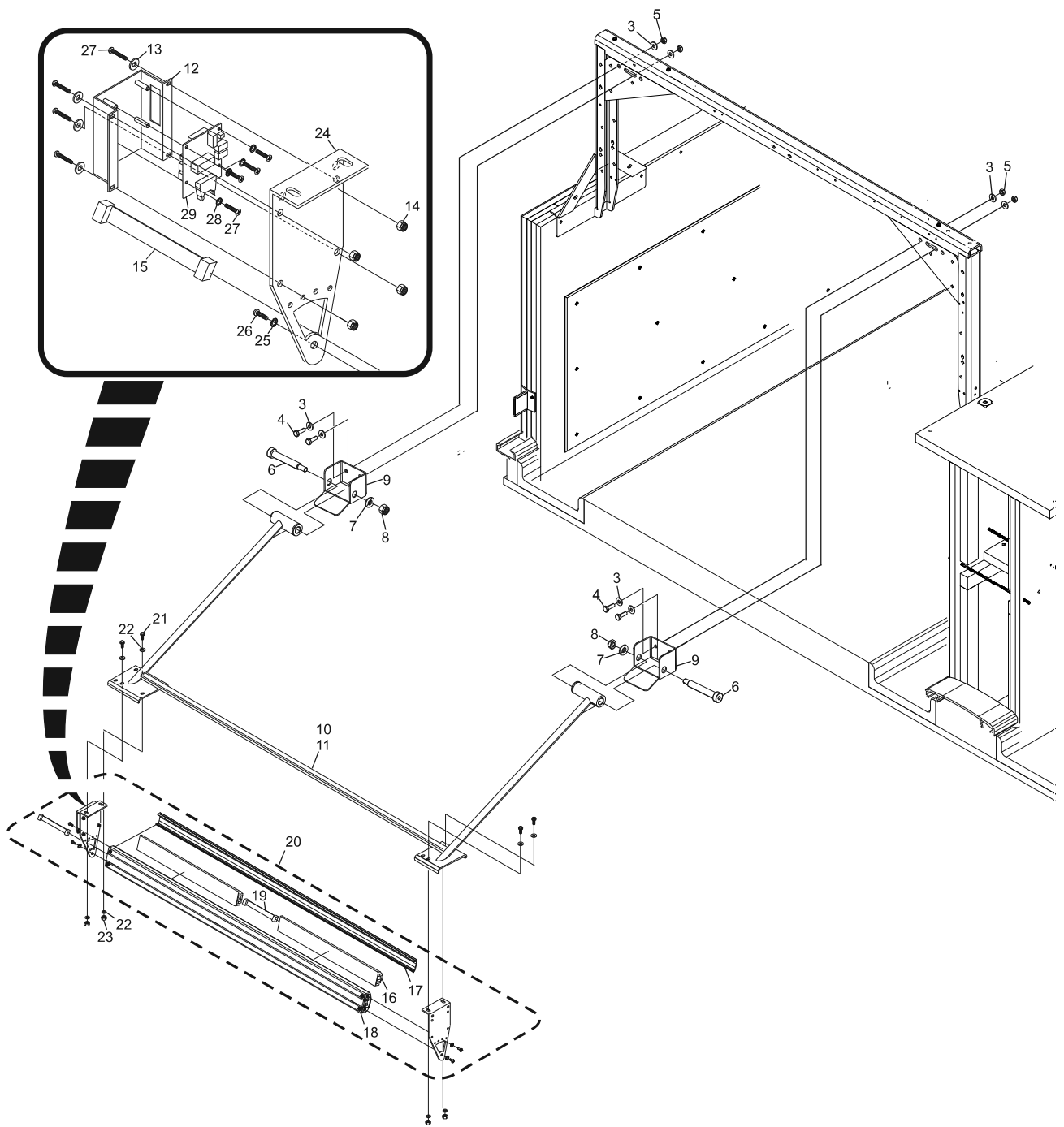


Index No.	Part No.	Package / Order Reference	Description
1.	55-278621-009		Pkg., L.H. Pivoting Pin Light (Left Lane) - shown
2.	*55-278615-009		Pkg., R.H. Pivoting Pin Light (Right Lane) - not shown
3.	11-052006-000		Flat Washer (8.4 mm x 20 mm x 2 mm)
4.	11-051015-001		Hex Cap Screw (M8 x 25 mm)
5.	11-051744-001		Metric Hex Locknut (M8)
6.	11-056104-000		Hex Socket Head Shoulder Bolt (M8 - 10 mm x 90 mm)
7.	11-052024-001		Flat Washer (13 mm x 30 mm x 16 mm)
8.	11-051747-001		Metric Hex Locknut (M12)
9.	55-278617-000		Frame Holder
10.	55-278622-000		L.H. Welded Frame - only (Left Lane) - shown
11.	*55-278616-000		R.H. Welded Frame - only (Right Lane) - not show
12.	47-226856-000		Bracket for Pin Light Controller PCB
13.	11-052055-001		Washer (3.2 mm x 7 mm x .5 mm)
14.	11-051746-015		Locknut (M3)
15.	47-225111-000		Cable - Ribbon
16.	47-226586-000		LED Pinlight Board
17.	84-200242-302		Lens - LED Pinlight
18.	47-226549-000		LED Pinlight Enclosure
19.	47-226409-000		Cable - Ribbon
20.	47-226551-009	47-860017-000	Assembly - LED Pinlight Complete With Brackets (Includes Index Numbers 12 - 19)
21.	11-051027-001		Screw Hex. Cap. (M5 x 40 mm)
22.	11-052020-001		Flat Washer (M5 x 12 mm)
23.	11-051742-001		Hex Locknut (M5)
24.	47-226757-000		LED Pinlight Bracket
25.	11-055013-001		Lock Washer - External Tooth (M5)
26.	11-053788-001		Screw (M5 x .8 mm x 12 mm)
27.	11-053800-001		Screw (M3 x .5 mm x 12 mm)
28.	11-055011-015		Lock Washer - External Tooth (M3)
29.	47-225589-000		Pin Light Controller PCB

\* = Not Illustrated

## StringPin Pivoting Pinlight



**StringPin Pivoting Pinlight**