

Service Parts

Boost ST

Ten Pin

October 2023 / 55-900201-000

Brunswick® 

CUSTOMER SERVICE

A tradition in excellence.

Boost ST Service Parts Catalog

© October 2023 by Brunswick Bowling Products. All rights reserved.

Reorder Part No. 55-900201-000

Notice: If available, updates to this catalog can be found on-line at www.brunswickbowling.com.

Confidential proprietary information. All information contained in this document is subject to change without notice.

Brunswick Bowling Products
525 West Laketon Avenue
Muskegon, MI 49441
U.S.A.

231.725.3300

Contents

Select Only Genuine Brunswick Replacement Parts for Brunswick Equipment.....	1
Setting Platform.....	3
Drive Chain Assembly.....	4
PMI / String Spool Assemblies.....	5
Return Lever Assembly.....	6
Pinsetter Motor / Switch Cluster Assemblies.....	7
Gate Assembly.....	8
360 Controller.....	9
Ball Accelerator.....	10

Intentionally Blank Page

Select Only Genuine Brunswick Replacement Parts for Brunswick Equipment

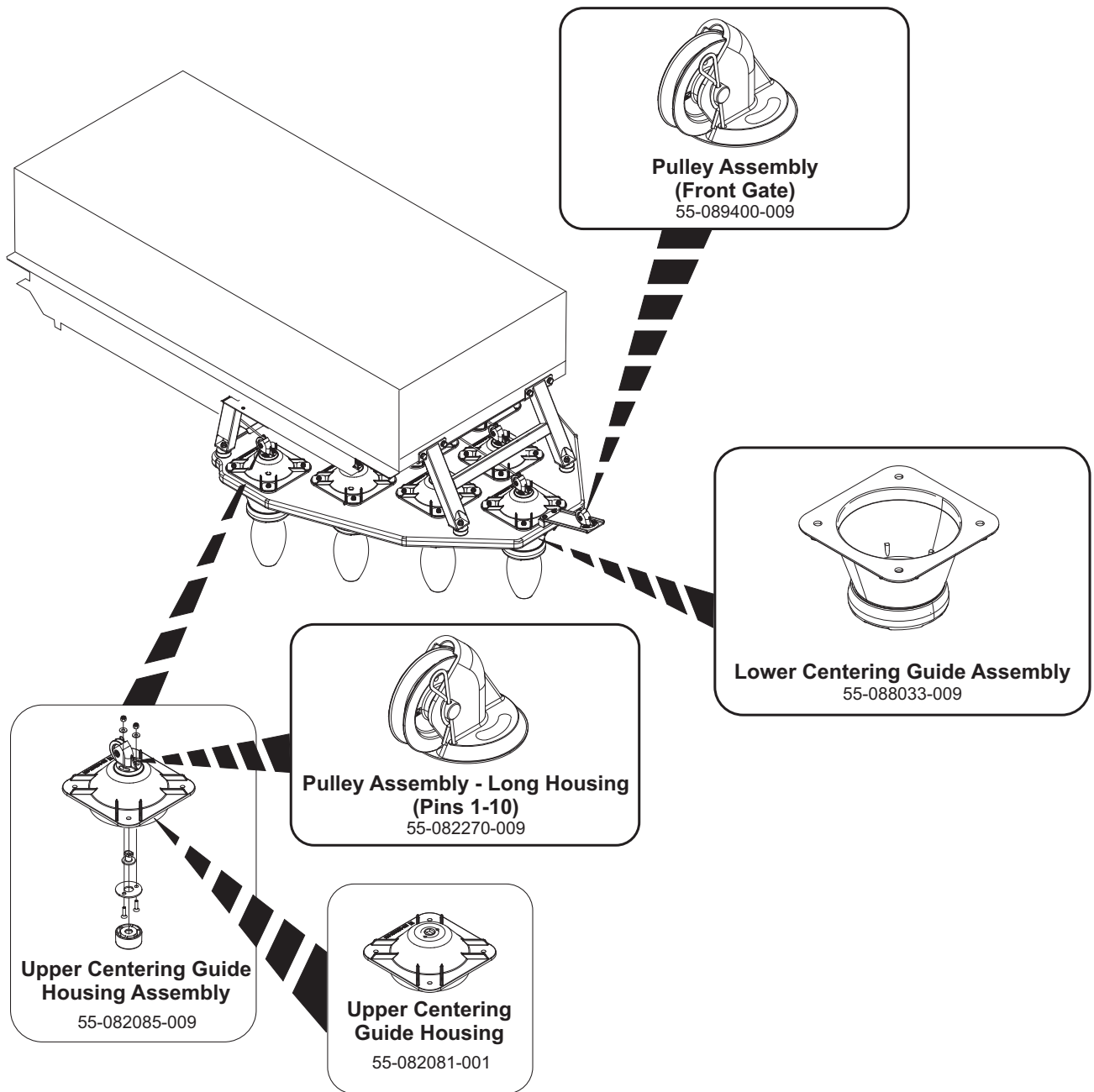
You purchased the best when you bought Brunswick equipment. Insist on the best in replacement parts. Buy Genuine Brunswick Replacement Parts to keep your equipment in top-notch working condition.

Here's why you should insist on Brunswick Replacement Parts for your Brunswick equipment:

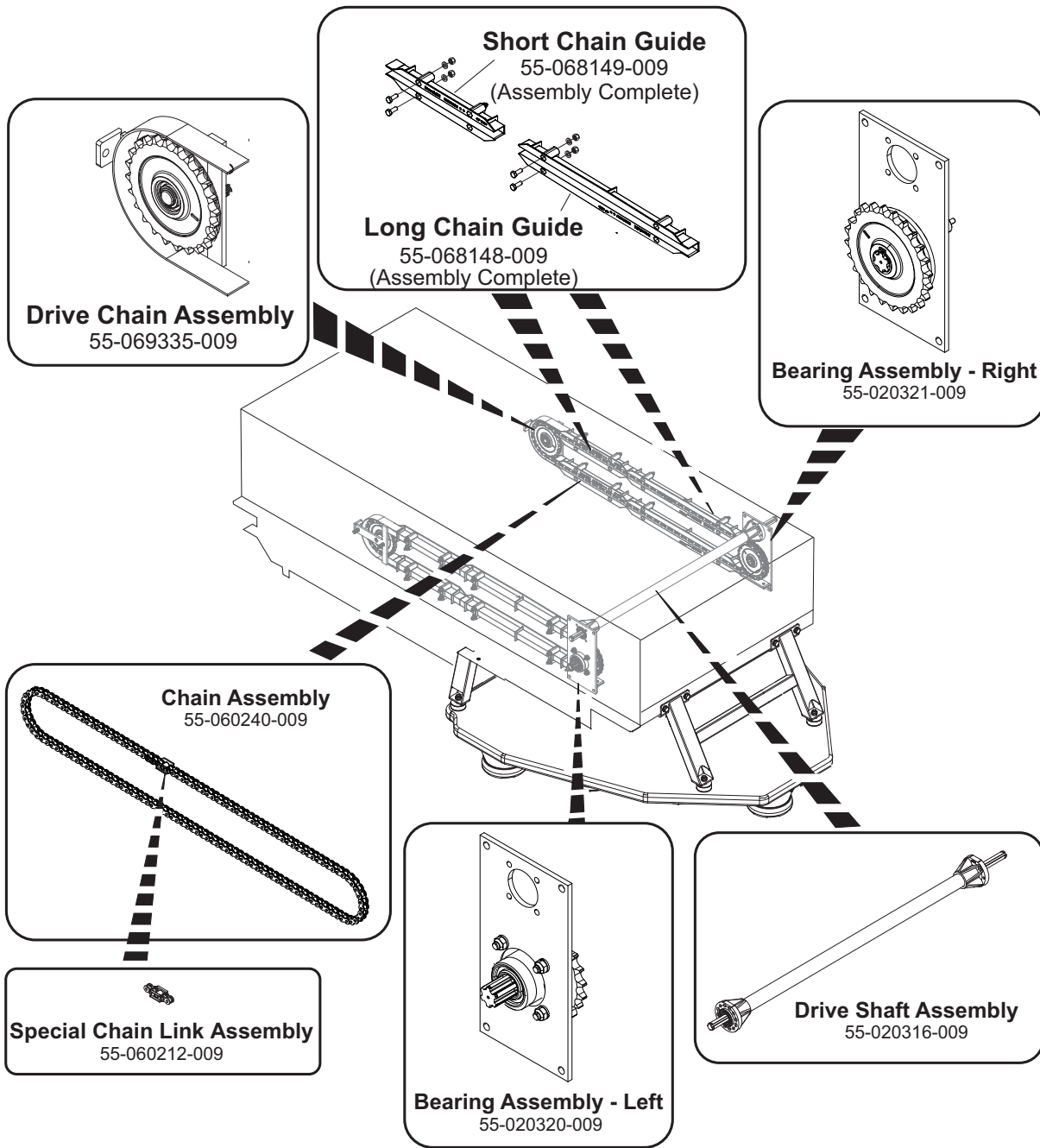
- Only Brunswick replacement parts are guaranteed to be the same, top quality, heavy-duty parts that go into the world's finest equipment by Brunswick.
- Rigid quality control assures maximum protection against part defect or failure.
- Full-time testing of all equipment and continual updating of parts provides the latest improvements.
- Each improved part is designed to be interchangeable with the part it is replacing.
- Efficient cost methods of production and design, reduce the cost of parts.

To place an order contact your certified Brunswick parts distributor or Brunswick at 1-800-YES-BOWL or 231-725-3300. Authorized Brunswick part distributors listings can be found on-line at www.brunswickbowling.com

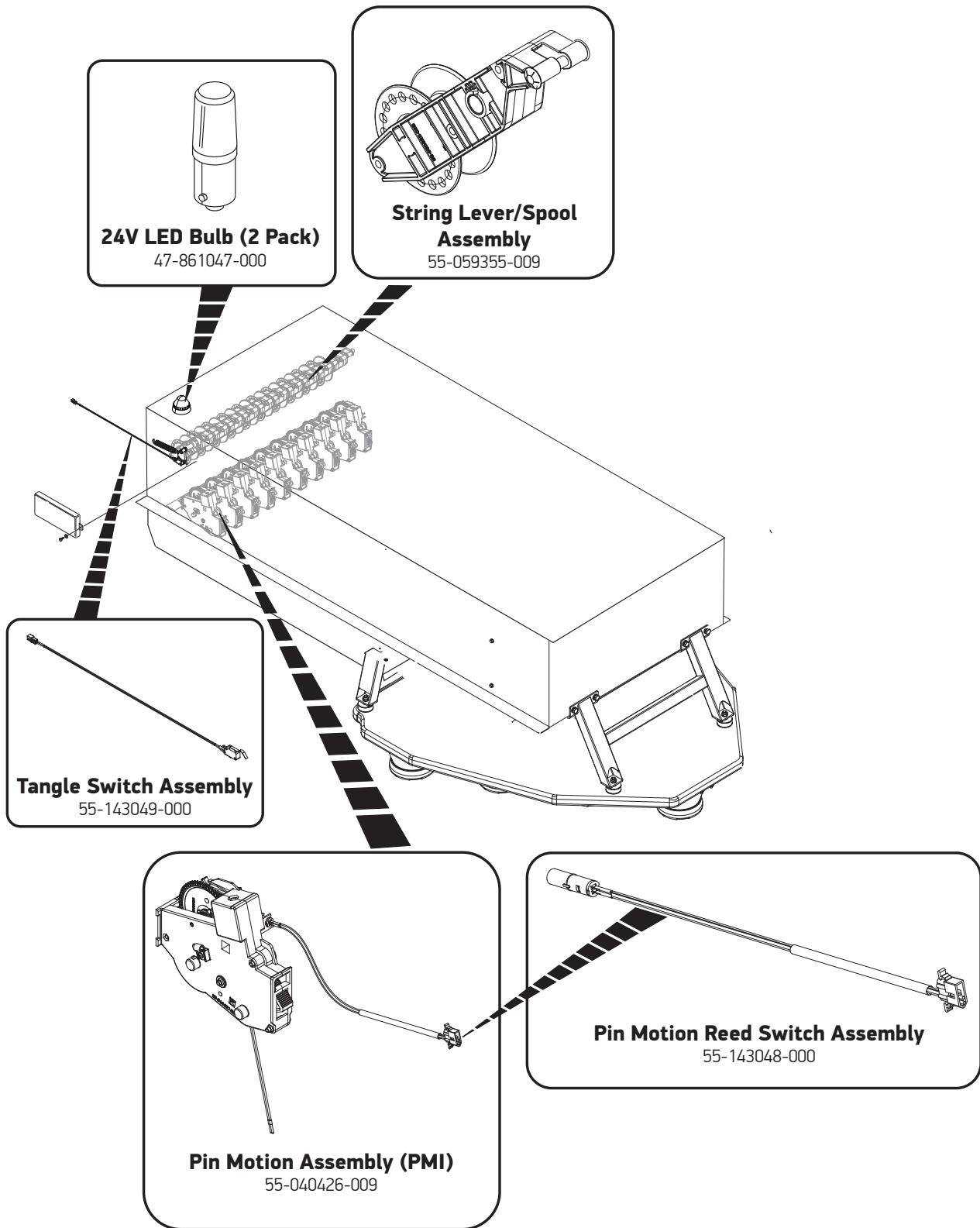
Intentionally Blank Page



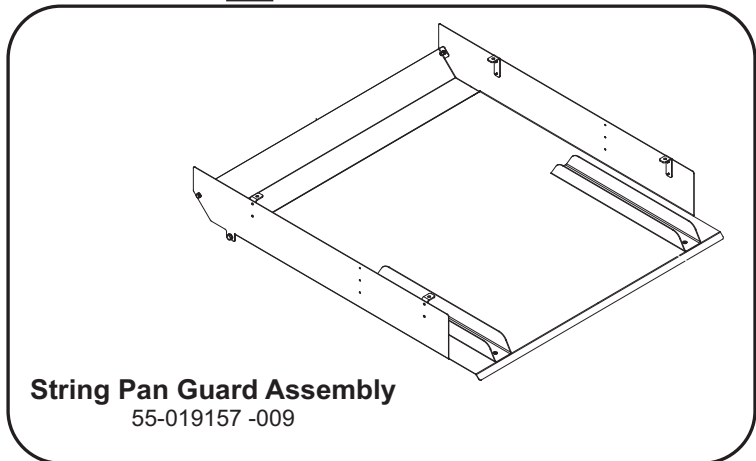
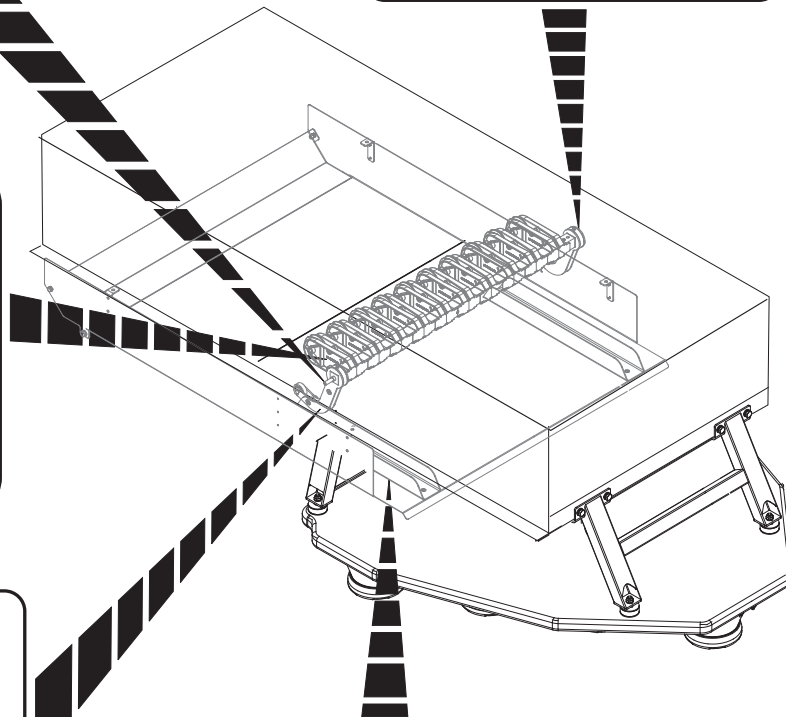
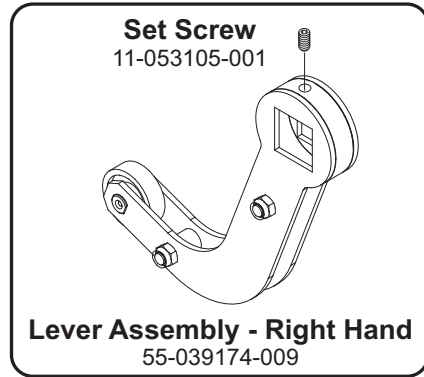
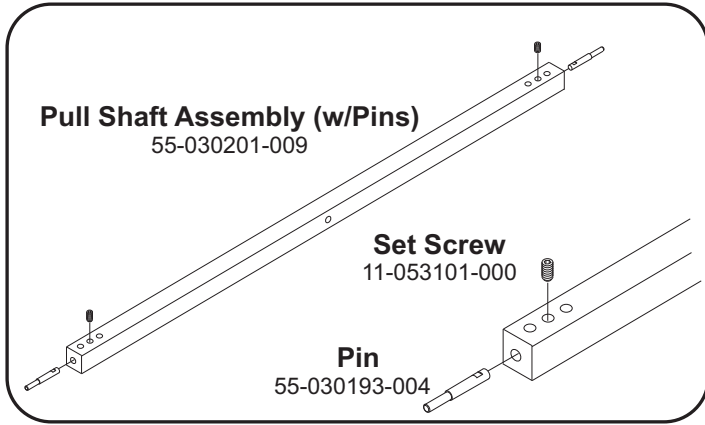
Setting Platform



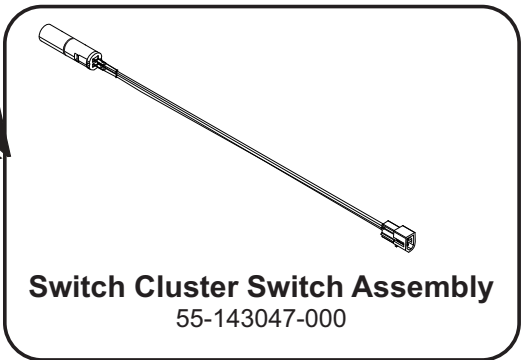
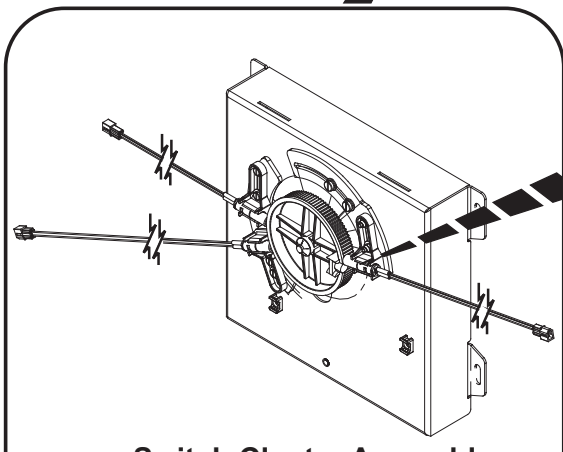
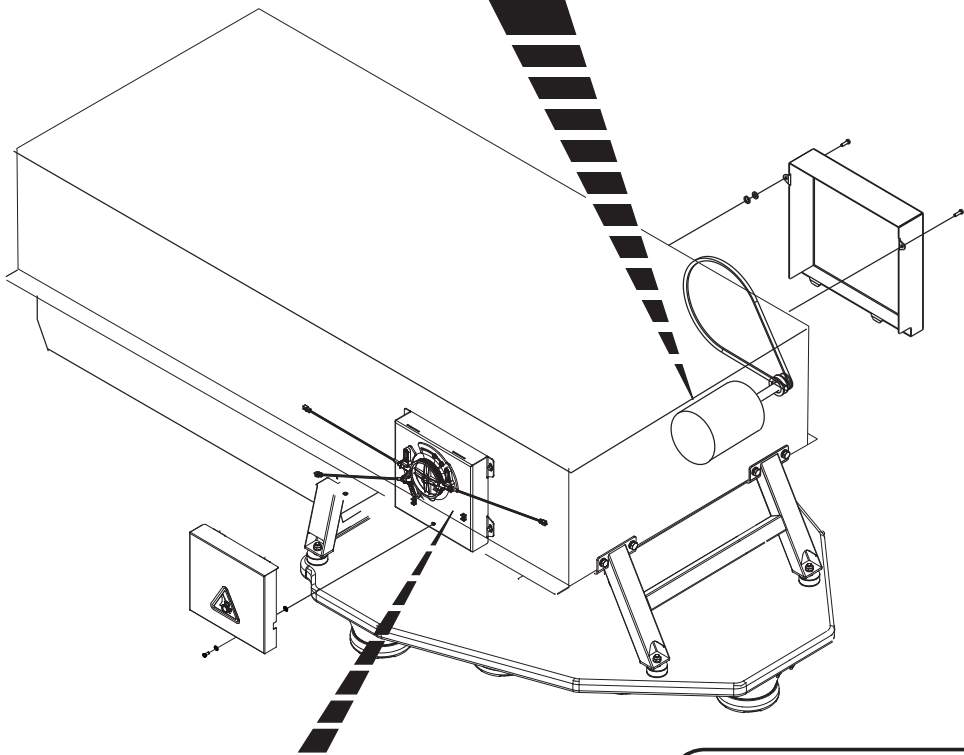
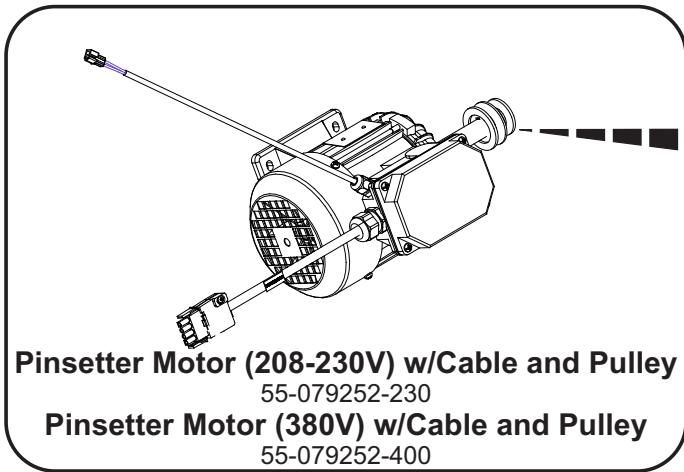
Drive Chain Assembly



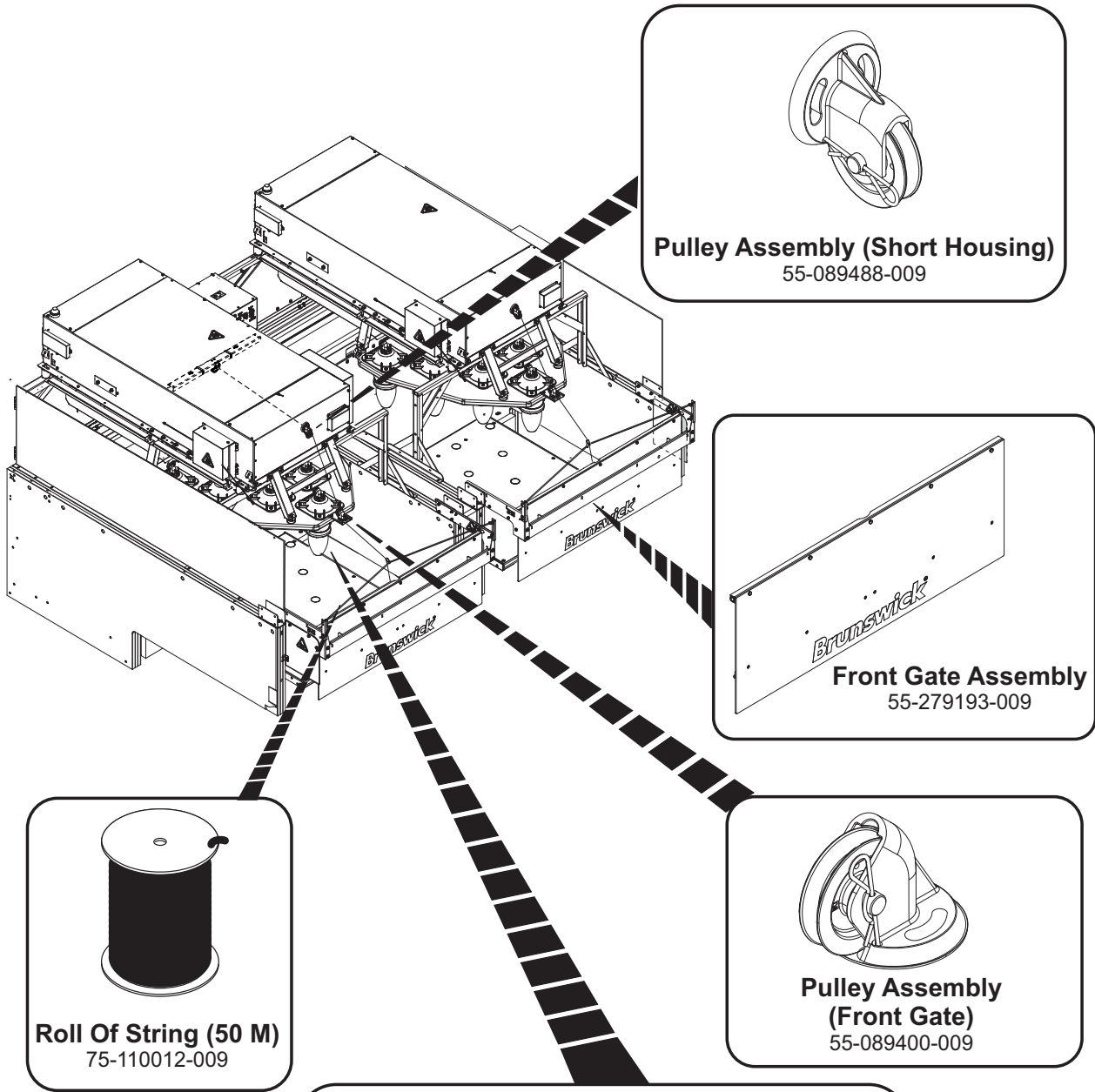
PMI / String Spool Assemblies



Return Lever Assembly




Pinsetter Motor / Switch Cluster Assemblies



String Pins - Crown (Set Of 10)

White 63-861186-167	Yellow 63-861173-167
White - Glow 63-861185-167	Magenta 63-861171-167
Orange 63-861174-167	Green 63-861172-167



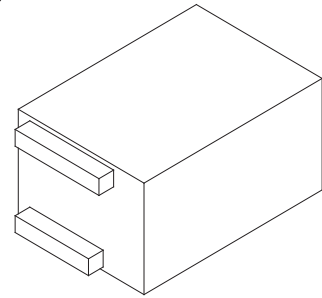
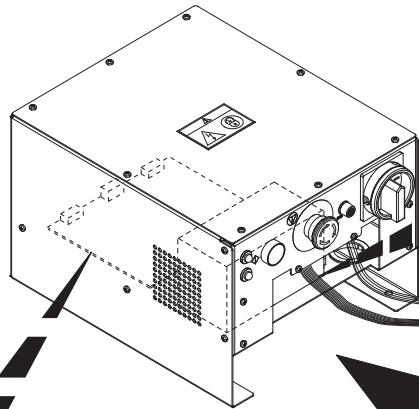
Gate Assembly

360 Controller - UL 208V/230V

55-860075-230

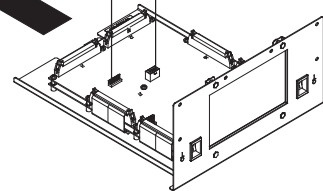
360 Controller - CE 380V/400V

55-860075-400



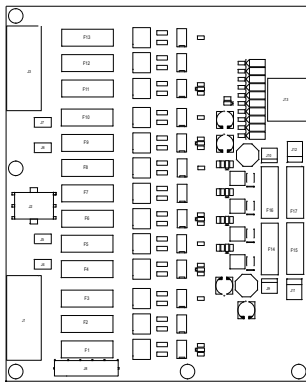
Power Supply - 24V

55-860060-000



360 Controller - Slide Out

55-860076-400 (New)

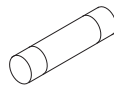


High Voltage PCB (230v)

55-860059-230

High Voltage PCB (380v)

55-860059-380



Fuses

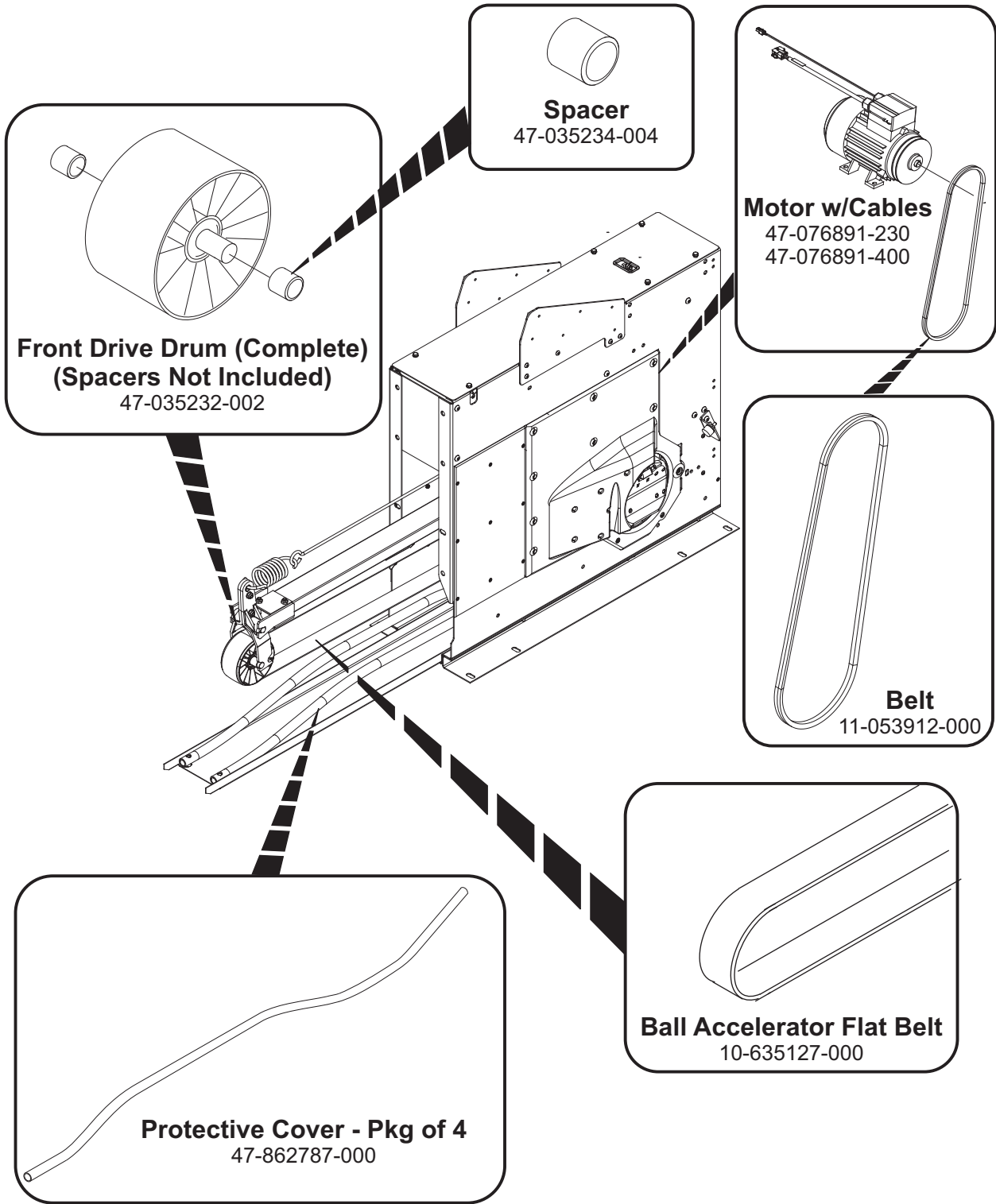
0.5A 250V Slow Blow - Pkg of 1
11-685056-000

2.0A 250V Slow Blow - Pkg of 4
57-861635-000

3.0A 250V Slow Blow - Pkg of 4
57-861874-000

3.15A 250V Fast Blo - Pkg of 5
47-862854-000

360 Controller



Ball Accelerator