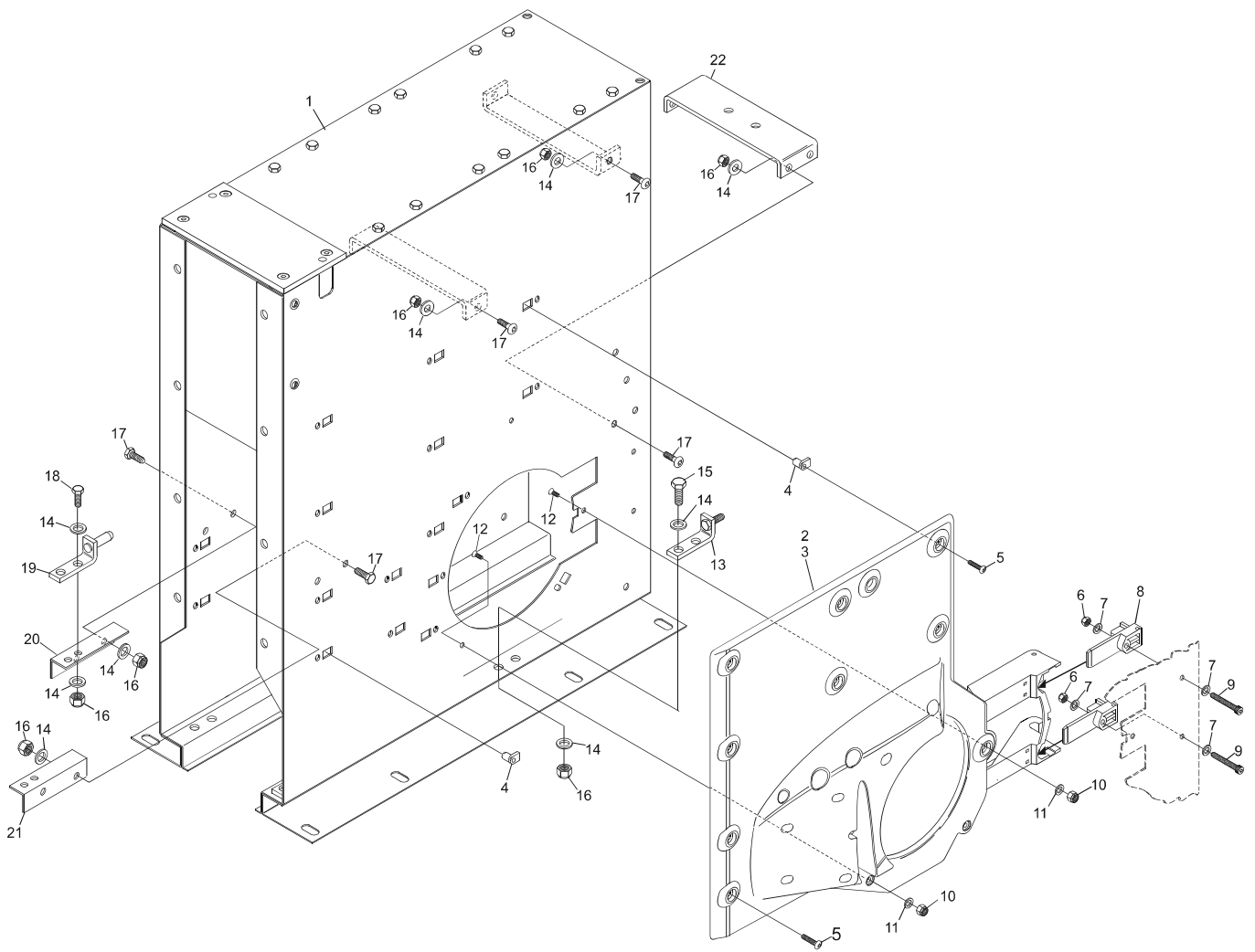


Index No.	Part No.	Package / Order Reference	Description
1.	55-108223-009		Accelerator Box Assembly
2.	47-035240-001		L.H. Ball Door Protector Plate - 10 pin side
3.	47-035241-001		R.H. Ball Door Protector Plate - 7 pin side (shown)
4.	11-055800-000		EJOT Plastic Fastener (Nut Plate)
5.	11-054466-000		Torx Head Seft Tap Plastic Screw (K60 x 25 mm)
6.	11-051743-001		Locknut (M6)
7.	11-052008-001		Flat Washer (6.4 mm x 12 mm x 1.6 mm)
8.	47-035239-004		Holder Wedge
9.	11-051562-001		Socket Head. Cap Screw (M6 x 60 mm)
10.	11-051742-001		Locknut (M5)
11.	11-052020-001		Flat Washer (5.3 mm x12 mm x 1 mm)
12.	11-052933-001		Countersunk Screw (M5 x 12 mm)
13.	47-035219-003		Angle Bracket w/ Threaded Pin
14.	11-052018-001		Flat Washer (10.5 mm x 20 mm x 2 mm)
15.	11-051045-001		Hex Head Cap Screw (M10 x 30 mm)
16.	11-051745-001		Locknut (M10)
17.	11-054805-001		Button Hd. Socket Screw (M10 x 25 mm)
18.	11-051019-001		Hex Hd. Cap Screw (10 mm x 25 mm)
19.	47-035220-003		Accelerator Bracket w/Pin
20.	47-035224-003		Front Support - Left Hand
21.	47-035223-003		Front Support - Right Hand
22.	47-035228-003		Cross Support Brace

Accelerator Box Assembly (Subway)



Accelerator Box Assembly (Subway)