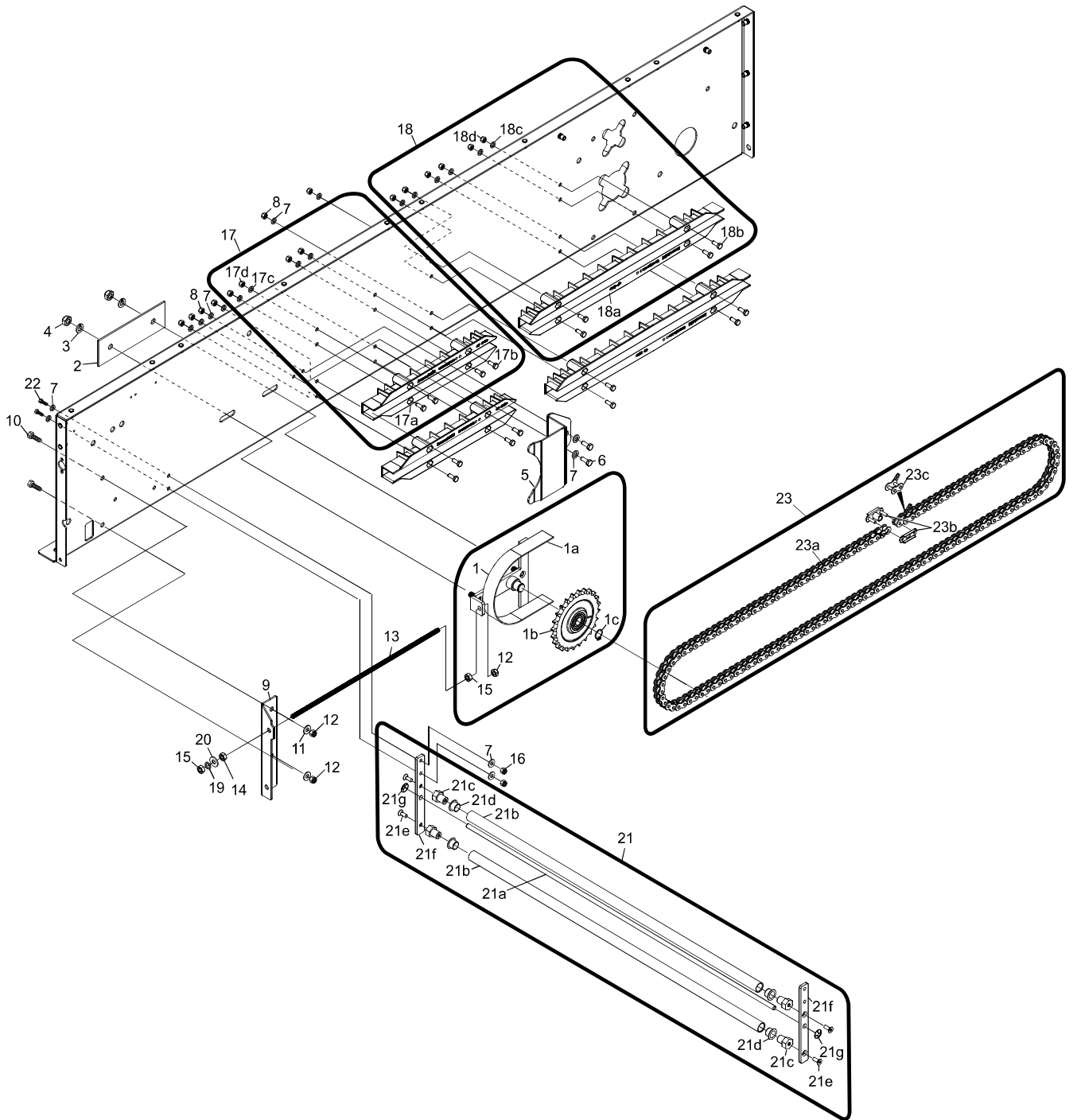


Index No.	Part No.	Package / Order Reference	Description
1.	55-069335-009		Drive Chain Guard Assembly
	1a. 55-069336-000		Drive Chain Guard
	1b. 55-060208-003		Sprocket
	1c. 11-051852-000		Retaining Ring - External (17 mm)
2.	55-060207-003		Tension Bracket
3.	11-051771-001		Lockwasher (M10)
4.	11-051745-001		Hex Lock Nut (M10)
5.	55-068011-000		Drive Chain Guard (Cover)
6.	11-051035-001		Hex Hd. Cap Screw (M6 x 16 mm)
7.	11-052008-001		Flat Washer (6.4 mm x 12 mm x 1.6mm)
8.	11-051743-001		Hex Lock Nut (M6)
9.	55-019145-00		PMI Bracket R.H.
10.	11-051010-001		Hex Head Cap Screw (M8 x 20 mm)
11.	11-052003-001		Flat Washer (8.4 mm x 16 mm x 1.6 mm)
12.	11-051744-001		Hex Lock Nut (M8)
13.	55-069128-000		Threaded Rod (M8 x 400 mm)
14.	11-051704-001		Hex Nut (M10)
15.	11-051704-001		Hex Nut (M8)
16.	11-051743-001		Hex Lock Nut (M6)
17.	55-068149-009		Short Chain Guide w/Mounting Hardware
	17a.55-068149-000		Short Chain Guide
	17b.11-051035-001		Hex Head Cap Screw (M6 x 16 mm)
	17c.11-052008-001		Flat Washer
	17d.11-051743-001		Hex Lock Nut (M6)
18.	55-068148-009		Long Chain Guide w/Mounting Hardware
	18a. 55-068148-000		Long Chain Guide
	18b.11-051035-001		Hex Head Cap Screw (M6 x 16 mm)
	18c.11-052008-001		Flat Washer
	18d.11-051743-001		Hex Lock Nut (M6)
19.	11-051770-001		Lock Washer
20.	11-052006-001		Flat Washer
21.	55-019375-009		Assembly - Guide Bracket
	21a. 55-018136-002		Rod - For Guide Bracket
	21b. 55-018135-002		Guide Rod
	21c. 55-018016-000		Shoulder Stud
	21d. 47-034842-004		Plastic Bushing
	21e.11-052936-001		Flat Sink Head Socket Screw (M6 x 16 mm)
	21f. 55-019376-000		Base Plate - Guide for Bracket
	21g.11-053478-001	47-861050-000	Speed Nut (Quicklock M8), Pkg Qty - 10
22.	11-051018-001		Hex Head. Cap Screw (M6 x 20 mm)
23.	55-060240-009		Chain Assembly w/Special Link
	23a. 55-060714-004		Chain Assembly
	23b. 55-060212-003		Special Chain Link
	23c. 11-600500-000		Master Link Spring Lock Type

## Chain Drive Assembly



## Chain Drive Assembly