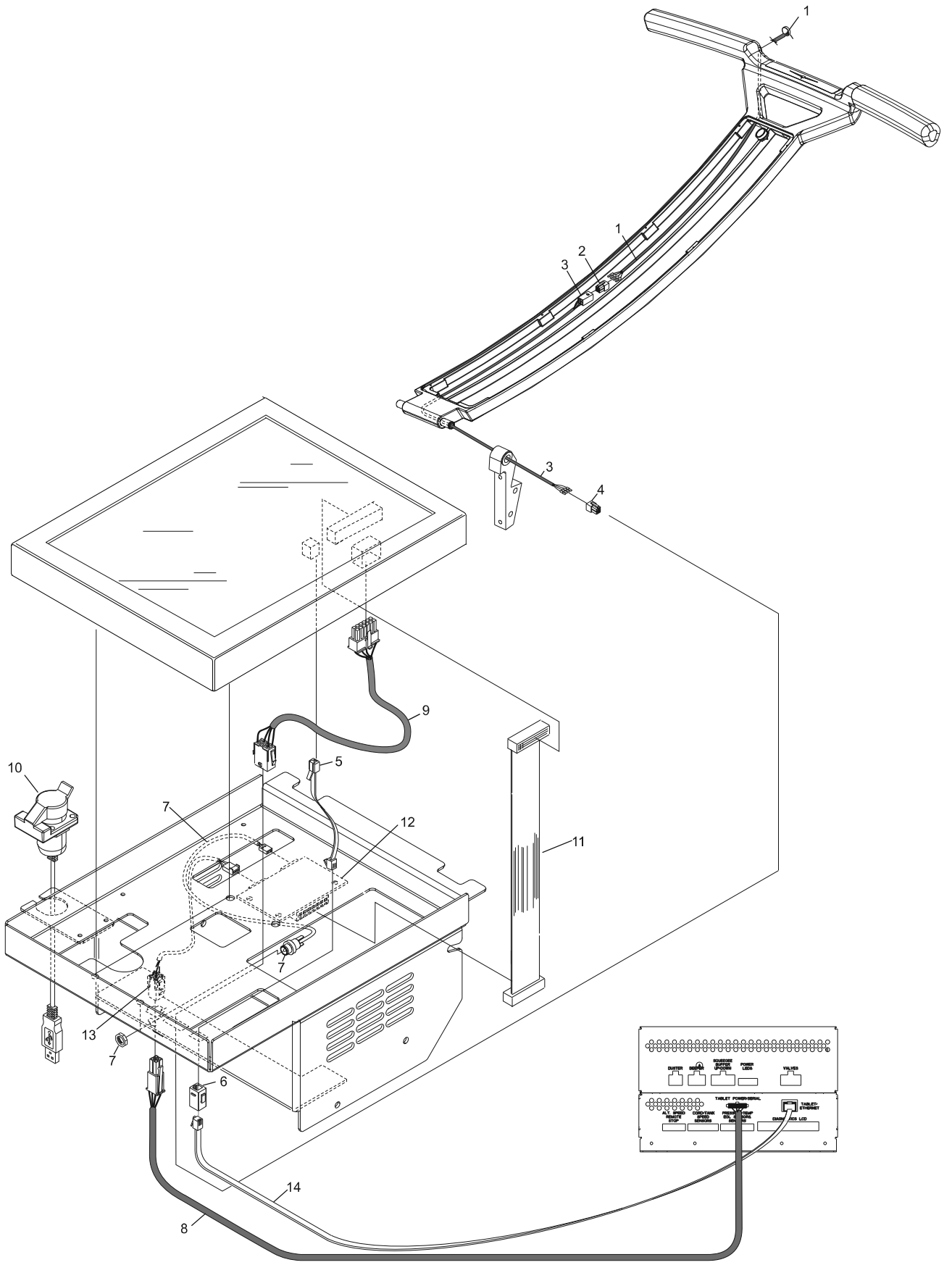


| Index No. | Part No. | Description |
|------------------|-----------------|--|
| 1. | 14-101393-000 | Cable Assembly - Button Lane Machine |
| 2. | 11-680133-000 | Connector Housing - 8 Position |
| 3. | 14-101186-000 | Cable Assembly - Button to Tablet |
| 4. | 11-697856-000 | Connector Housing - 8 Position |
| 5. | 57-501416-001 | Cable Assembly - Mini CAT5E, S5 Tablet |
| 6. | 11-681167-000 | RJ-45 Coupler, CA5E |
| 7. | 14-101815-000 | Cable Assembly - Power, Bracket to Interface Board |
| 8. | 14-101812-000 | Power/Serial Tablet to Enclosure |
| 9. | 14-101814-000 | Button Bracket to GPIO |
| 10. | 14-101816-000 | USB Receptacle w/Cover and 12" Cable Assembly |
| 11. | 57-501412-000 | Interface to S5 Tablet, Ribbon Cable Assembly |
| 12. | 57-501295-001 | Interface PCB Assembly |
| 13. | 14-101813-000 | Power/Serial Bracket to Interface - Cable Assembly |
| 14. | 57-501416-003 | Mini CAT6, S5 Tablet Cable Assembly |

Tablet Interface



Tablet Interface