

Index

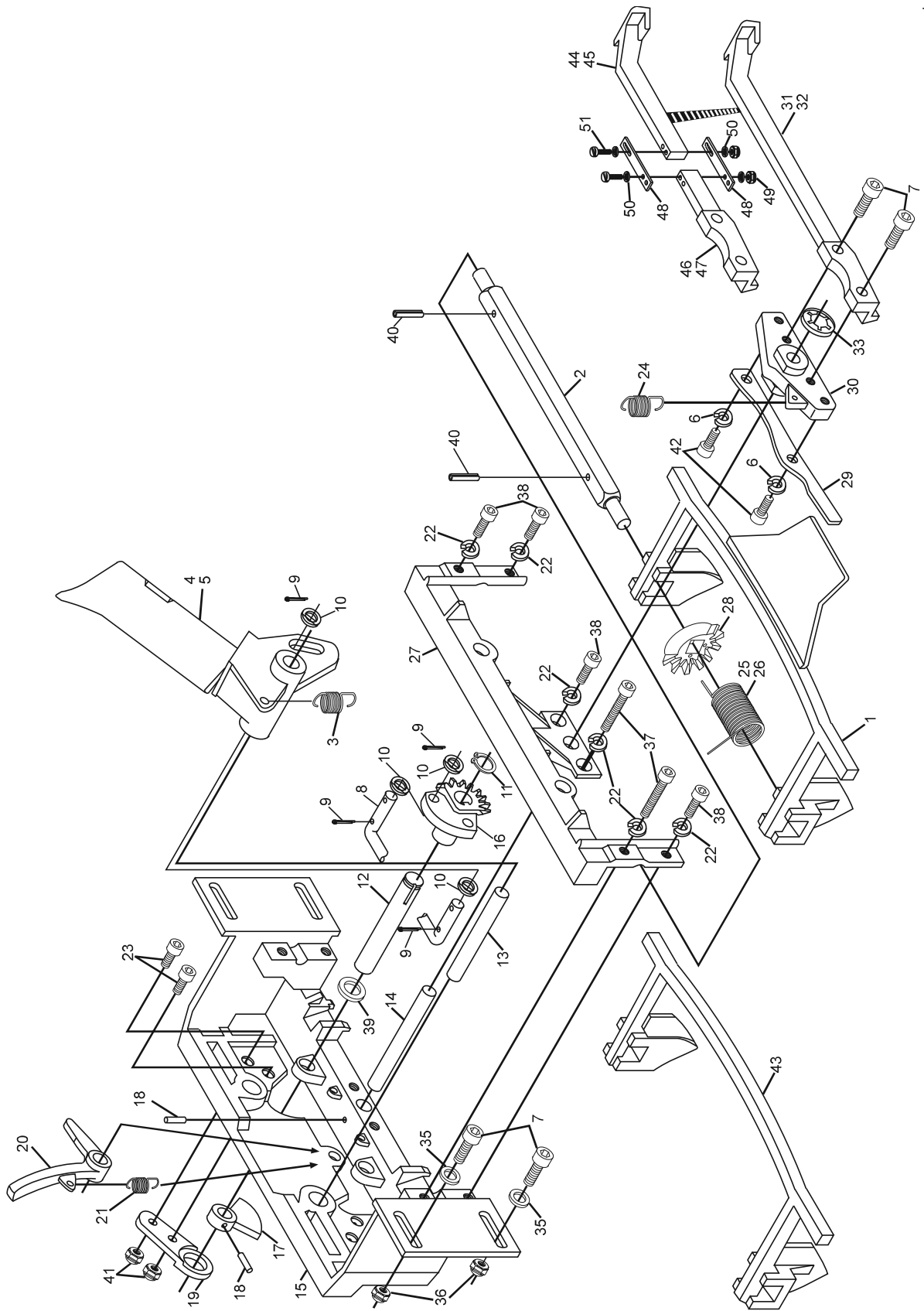
| No. | Part No. | Description |
|------------|-----------------|---|
| 1. | 47-091690-002 | Retaining Bow w/Flap |
| 2. | 47-091694-004 | Square Spindle |
| 3. | 47-090581-004 | Tension Spring |
| 4. | 47-092442-003 | R.H. Ejector Flap |
| 5. | 47-092441-003 | L.H. Ejector Flap |
| 6. | 11-051769-001 | Lockwasher (6 mm) |
| 7. | 11-051515-001 | Socket Hd. Cap Screw (6 mm x 18 mm) |
| 8. | 47-090568-004 | Bow |
| 9. | 11-051791-001 | Split Pin (1.6 mm x 10 mm) |
| 10. | 47-090575-004 | Flat Washer (6.5 mm) |
| 11. | 11-051855-001 | Retaining Ring (10 mm) |
| 12. | 47-090570-004 | Shaft |
| 13. | 47-090572-004 | Shaft |
| 14. | 47-090571-004 | Shaft |
| 15. | 47-090565-002 | N.A. Bottom Housing |
| 16. | 47-090560-004 | N.A. Bevel Wheel w/Cam |
| 17. | 47-090557-004 | N.A. Cam |
| 18. | 11-052681-001 | Rolled Pin (3 mm x 16 mm) |
| 19. | 47-090558-004 | Cam Retainer |
| 20. | 47-090556-004 | Retaining Lever |
| 21. | 47-094352-004 | Tension Spring |
| 22. | 11-051768-001 | Lockwasher (5 mm) |
| 23. | 11-051523-001 | Socket Hd. Cap Screw (5 mm x 10 mm) |
| 24. | 47-090580-004 | Tension Spring |
| 25. | 47-090577-004 | R.H. Torsion Spring (Pin Nos. 2,4,6,8 & 10) |
| 26. | 47-090578-004 | L.H. Torsion Spring (Pin Nos. 1,3,5,7 & 9) |
| 27. | 47-090562-003 | Top Housing |
| 28. | 47-090559-004 | Bevel Wheel |
| 29. | 47-091693-004 | Clamping Lever |
| 30. | 47-091692-004 | Pivoting Lever |
| 31. | N.A. | Release Lever Pin (Pin Nos. 1,4,5 & 6) |
| 32. | N.A. | Release Lever Pin (Pin Nos. 2,3,7,8,9 & 10) |
| 33. | 11-053478-001 | N.A. Speed Nut (8 mm) |
| | 47-861050-000 | R.O. Speed Nut (8 mm) Pkg. of 10 |
| 34. | *N.A. | Pin Station Complete (Pin Nos. 1, 5 & 6) |
| | *N.A. | Pin Station Complete (Pin Nos. 2, 3, 8 & 9) |
| | *N.A. | Pin Station Complete (Pin No. 4) |
| | *N.A. | Pin Station Complete (Pin No. 7) |
| | *N.A. | Pin Station Complete (Pin No. 10) |
| 35. | 11-052037-001 | Flat Washer (6.4 mm) |
| 36. | 11-051743-001 | Locknut (6 mm) |
| 37. | 11-051524-001 | N.A. Socket Hd. Cap Screw (5 mm x 40 mm) |
| 38. | 11-051522-001 | Socket Hd. Cap Screw (5 mm x 16 mm) |
| 39. | 11-052042-001 | Flat Washer (10 mm) |
| 40. | 11-052680-001 | Rolled Pin (2 mm x 18 mm) |
| 41. | 11-051742-001 | Locknut (5 mm) |
| 42. | 11-051509-001 | Socket Hd. Cap Screw (6 mm x 12 mm) |
| 43. | *N.A. | Retaining Bow |
| 44. | 47-093591-004 | Release Lever Pin - two piece (Pin Nos. 2,3,7,8,9 & 10) |
| 45. | 47-093592-004 | Release Lever Pin - two piece (Pin Nos. 1,4,5 & 6) |
| 46. | 47-093589-004 | Release Lever Pin - two piece (Pin Nos. 2,3,7,8,9 & 10) |
| 47. | 47-093590-004 | Release Lever Pin - two piece (Pin Nos. 1,4,5 & 6) |
| 48. | 47-091725-004 | Retaining Plate |
| 49. | 11-051741-001 | Locknut (4 mm) |
| 50. | 11-052025-001 | Flat Washer (4.3 mm) |
| 51. | 11-052208-001 | Sld. Machine Hd. Screw (4 mm x 30 mm) |

N.A. = No Longer Available

* Use Universal Pin Station - pages 8J and 9J.

** Use appropriate Universal Pin Station.

**Pin Station Assembly
(Machine Series 54 and Below)**



**Pin Station Assembly
(Machine Series 54 and Below)**