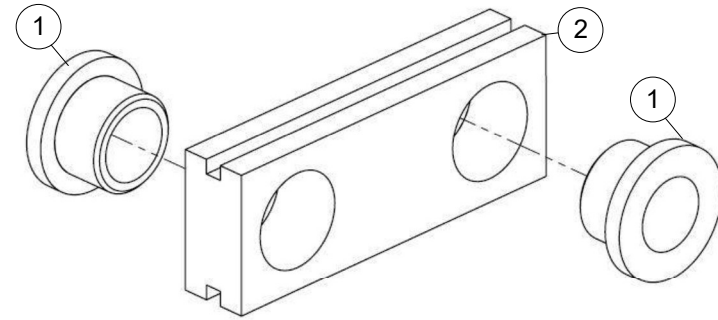


Transfer Roller Support Assembly - 294-116-059

	NUMBER	DESCRIPTION
1	04-017	BUSHING, FLANGED, 3/8 X 1/2 X 3/8
2	294-116-058	TRANSFER ROLLER SUPPORT ARM



Roller Shaft Support Assembly - 294-116-057

	NUMBER	DESCRIPTION
1	04-017	BUSHING, FLANGED, 3/8 X 1/2 X 3/8
2	294-116-056	ROLLER SHAFT SUPPORT ARM

