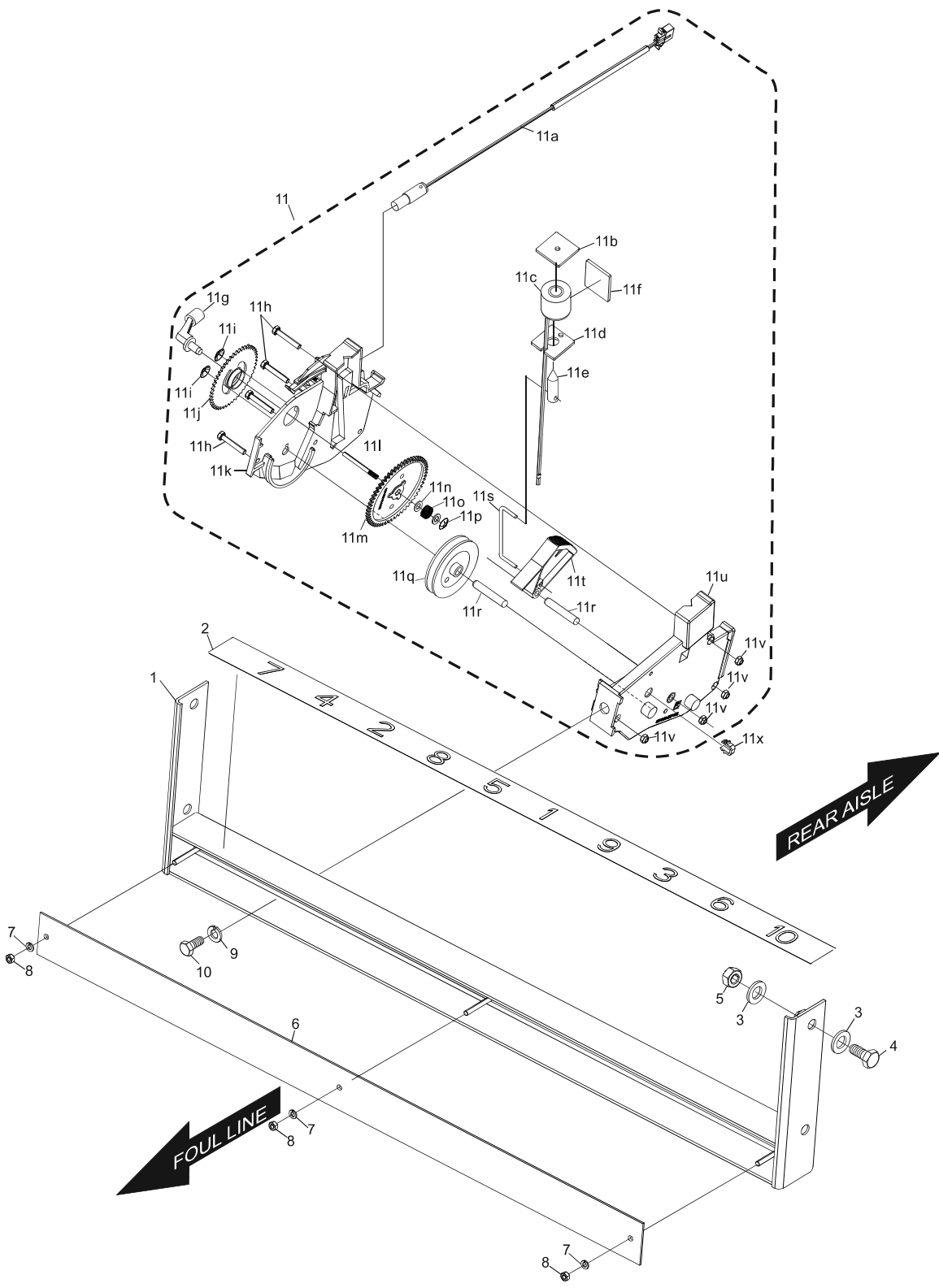


<b>Index No.</b>	<b>Part No.</b>	<b>Package / Order Reference</b>	<b>Description</b>
1.	55-040422-002		Control Holder For Pin Motion Interfaces
2.	55-268152-003		Label - "Numbering"
3.	11-052018-001		Flat Washer (M10 )
4.	11-051019-001		Screw Hex. Cap. (M10 x 25 mm)
5.	11-051745-001		Hex Locknut (M10)
6.	55-040554-003		Control Holder Cover
7.	11-051768-001		Lock Washer (M5)
8.	11-051701-001		Hex Nut (M5)
9.	11-051772-001		Lock Washer (M12)
10.	11-051062-001		Screw Hex. Cap (M12 x 25 mm)
11.	55-040426-009		Pin Motion Interface Assembly
	11a. 55-143048-000		Assembly - Pin Motion Interface Reed Switch
	11b. 55-040443-004		Solenoid Bracket
	11c. 55-040478-004		Solenoid
	11d. 55-040440-004		Plunger Bracket
	11e. 55-040437-004		Plunger
	11f. 55-040439-004		Solenoid Bracket
	11g. 55-040434-004		Switch Activator
	11h. 11-051002-001		Screw Hex. Cap. (M5 x 30 mm)
	11i. 11-053481-001		Speed Nut (Quick Lock)
	11j. 55-040433-004		String Adjustment Gear
	11k. 55-040428-001		Outside P. M. Interface Housing
	11l. 55-048013-000		Pin
	11m. 55-040432-004		Switch Gear
	11n. 11-054113-000		Shim Washer
	11o. 99-020164-004		Compression Spring
	11p. 11-053477-001		Speed Nut (Quick Lock)
	11q. 55-040430-004		String Pulley
	11r. 11-054004-001		Roll Pin
	11s. 55-040436-004		Solenoid Link
	11t. 55-040431-004		String Holder Cam
	11u. 55-040427-001		P.M.I. Housing Right Hand
	11v. 11-051742-001		Hex Locknut (M5)
	11x. 99-050166-004		Cable Holder
12.	75-110012-009		String,black - 50 Meter Roll (Not Shown)

## Pin Motion Interface (PMI)



**Pin Motion Interface (PMI)**