

Index

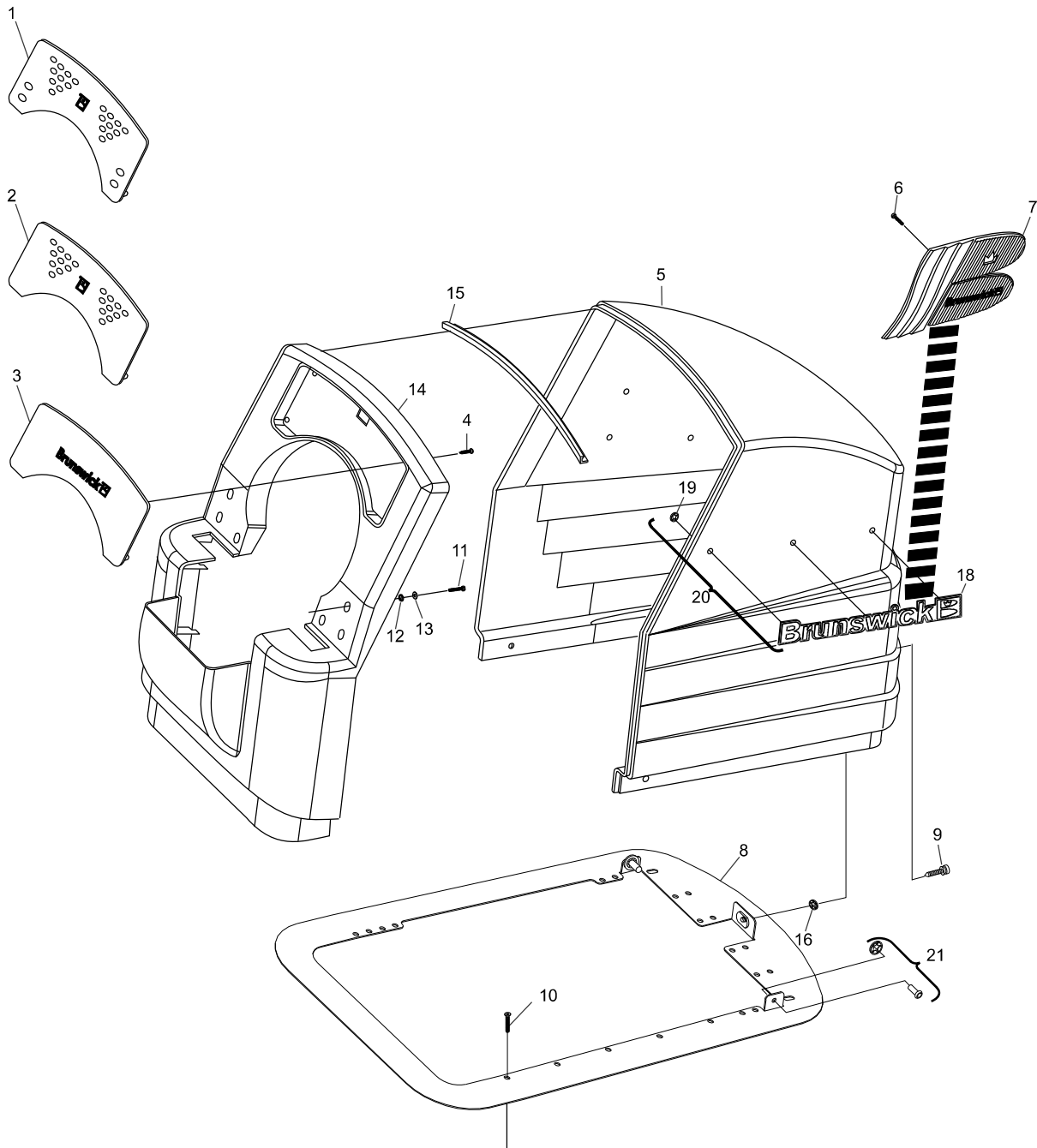
No.	Part No.		Description
1.	53-400052-000	N.A.	Player Control Station
2.	53-400053-000	N.A.	Pinfall Display
3.	*53-400009-XXX		Throat Decorative Insert (Dark Gray w/Silver)
	53-400009-229		Throat Decorative Insert (Graphite w/Silver)
	53-400009-205	N.A.	Throat Decorative Insert (Black w/Black Logo)
	53-400027-002	R.O.	Throat Decorative Insert (Black) Less Color
4.	11-082685-001		Pan Hd. C.R. Tap Screw (#12-14 x 1/2")
5.	53-861034-002		Ball Return Hood Assembly (includes Index No. 15) - Silver
	53-860937-000		Ball Return Hood Assembly (Gray) includes Index No. 15
	53-861034-205		Ball Return Hood Assembly (Black) includes Index No. 15
6.	11-082683-001		Type "B" C.R. Pan Hd. Screw (#10-16 x 3/8")
7.	*53-400048-xxx		Side Logo Assembly
	53-400048-227		Side Logo Assembly (Black)
8.	53-866035-000	S.O.	Flange - Ball Lift Hood includes Index Nos. 10, 9, and 16 (Dark Gray)
	53-866035-003		Flange - Ball Lift Hood includes Index Nos. 10, 9, and 16 (Graphite)
9.	11-690544-000		Knurled Captive Screw (1-1/2")
10.	11-081201-000		Robertson Flat Hd. Socket Screw (#10 x 1-1/2")
11.	11-001182-001		Hex Head Cap Screw (1/4-20 x 3/4")
12.	11-195014-001		Lockwasher (1/4")
13.	11-191010-001		Flat washer (1/4")
14.	53-861126-000		Pkg. Throat (Dark Grey) - includes Index No.15
	53-861126-003		Pkg. Throat (Graphite) - includes Index No.15
	53-861126-205		Pkg. Throat (Black) - includes Index No.15
15.	53-400044-000		Hood Lip Trim
16.	11-690545-000		Captive Screw Retainer
17.	*53-861090-XXX		Ball Return Color Kit (includes Index Nos. 3 and 7, wear strip, ball rail extrusion and decal vent. Not Illustrated
	53-861122-002		Color Kit (Graphite w/Silver)
	53-861090-227		Color Kit (Dark Gray w/Silver)
18.	53-400092-000	N.A.	Brunswick Side Logo Assembly (designed for Black Hoods and Silver Hoods only) - See Index #20
19.	11-532001-009	N.A.	Retaining Clip - See Index #20
20.	53-860648-000		Pkg. - Brunswick Side Plate Logo (includes 3 Retaining Clips 11-532001-009) part not sold separately
21.	53-520723-000		Ball Lift Hood Retainer & Clip (Pkg. of 2)

S.O. = *Special Order*
 N.A. = *No Longer Available*
 R.O. = *Replacement Option*

* Color Chart

Part No. Suffix	Primary Color	Secondary Color
-002	BLACK	less Color
-220	BLUEBERRY	BANANA accent
-221	KIWI	BLUEBERRY accent
-222	CRANBERRY	BANANA accent
-223	GRAPE	KIWI accent
-224	BANANA	GRAPE accent
-225	STRAWBERRY	BANANA accent
-229	GRAPHITE	SILVER accent

Framework Hood



Framework Hood