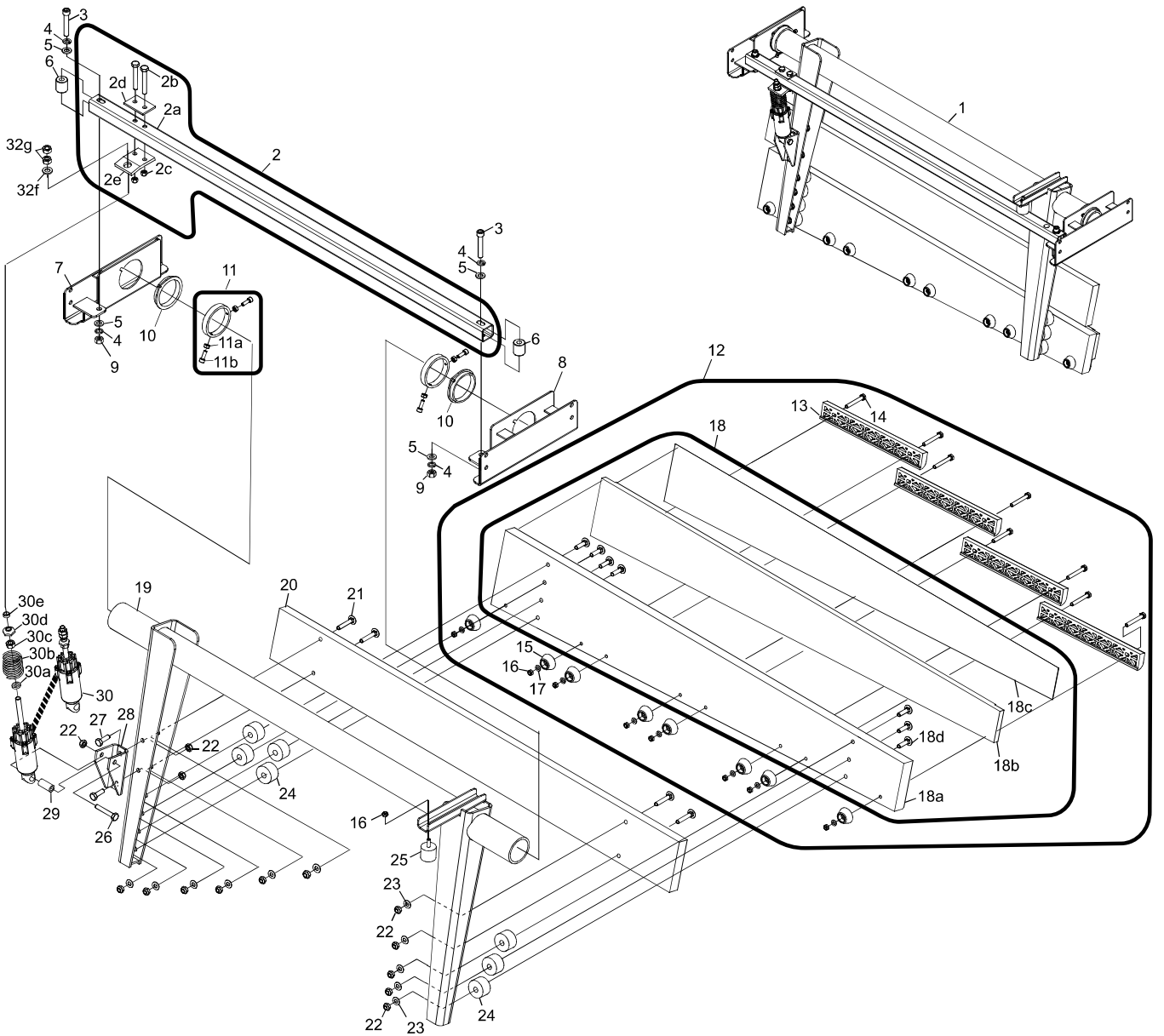


Index No.	Part No.	Package / Order Reference	Description
1.	55-279323-009		L.H. Ball Cushion Assembly
2.	55-279320-009		Transverse Bar Assembly
	2a. 55-279320-000		Traverse Bar
	2b. 11-051031-000		Hex Head Cap Screw (M10 x 65 mm)
	2c. 11-051745-000		Locknut (M4)
	2d. 47-021120-004		Square Tube Mounting Plate
	2e. 47-021111-004		Hydraulic Mounting Plate
3.	11-051554-000		Socket Head Cap Screw (M12 x 70 mm)
4.	11-051772-000		Lock Washer
5.	11-052015-000		Flat Washer
6.	47-021110-004		Square Tube Spacer
7.	55-279319-000		Ball Cushion Holder, RH
8.	55-279318-000		Ball Cushion Holder, LH
9.	11-051706-000		Locknut
10.	99-010108-004		Bearing
11.	47-020953-004		Stop Collar
	11a. 11-051702-000		Hex Nut
	11b. 11-051515-000		Socket Head Cap Screw (M8 x 16 mm)
12.	55-279321-009		Assembly, Ball Cushion Board, LH - includes index nos 13, 14, 15, 16, 17, 18, 18a, 18b, 18c, and 18d
13.	47-021010-003		Impact Strip
14.	11-051055-000		Hex Head Cap Screw (M8 x 60 mm)
15.	47-023660-004		Cap
16.	11-051744-000		Locknut
17.	11-052003-000		Flat Washer
18.	47-027221-000		Assembly, Ball Cushion Board, LH - includes index nos. 18a, 18b, 18c and 18d
	18a.47-027219-000		Ball Cushion Board, LH
	18b.47-024953-000		PUR Foam Pit Board, LH
	18c.47-025152-003		Facing
	18d.11-052623-000		Carriage Bolt (M10 x 40 mm)
19.	55-279316-000		String Cushion Frame, LH
20.	55-279392-000		Ball Cushion Baiord, Top
21.	11-052618-000		Carriage Bolt (M10 x 40 mm)
22.	11-051745-000		Locknut
23.	11-054274-001		Flat Washer
24.	99-070398-004		Rubber Bumper
25.	11-053591-000		Motor Mount
26.	11-051071-000		Hex Head Cap Screw (M10 x 60 mm)
27.	11-051019-000		Hex head Cap Screw (M10 x 25 mm)
28.	47-025637-000		Support
29.	47-052638-000		Spacer
30.	99-026121-000		Shock, Complete - includes index nos. 30a, 30b, 30c, 30d, and 30e
	30a. 11-055351-000		Seal
	30b. 47-071602-004		Spring
	30c. 11-051706-000		Hex Nut
	30d. 47-021119-004		Round Top
	30e. 47-021108-004		Spacer for Hydraulic

Ball Cushion



Ball Cushion