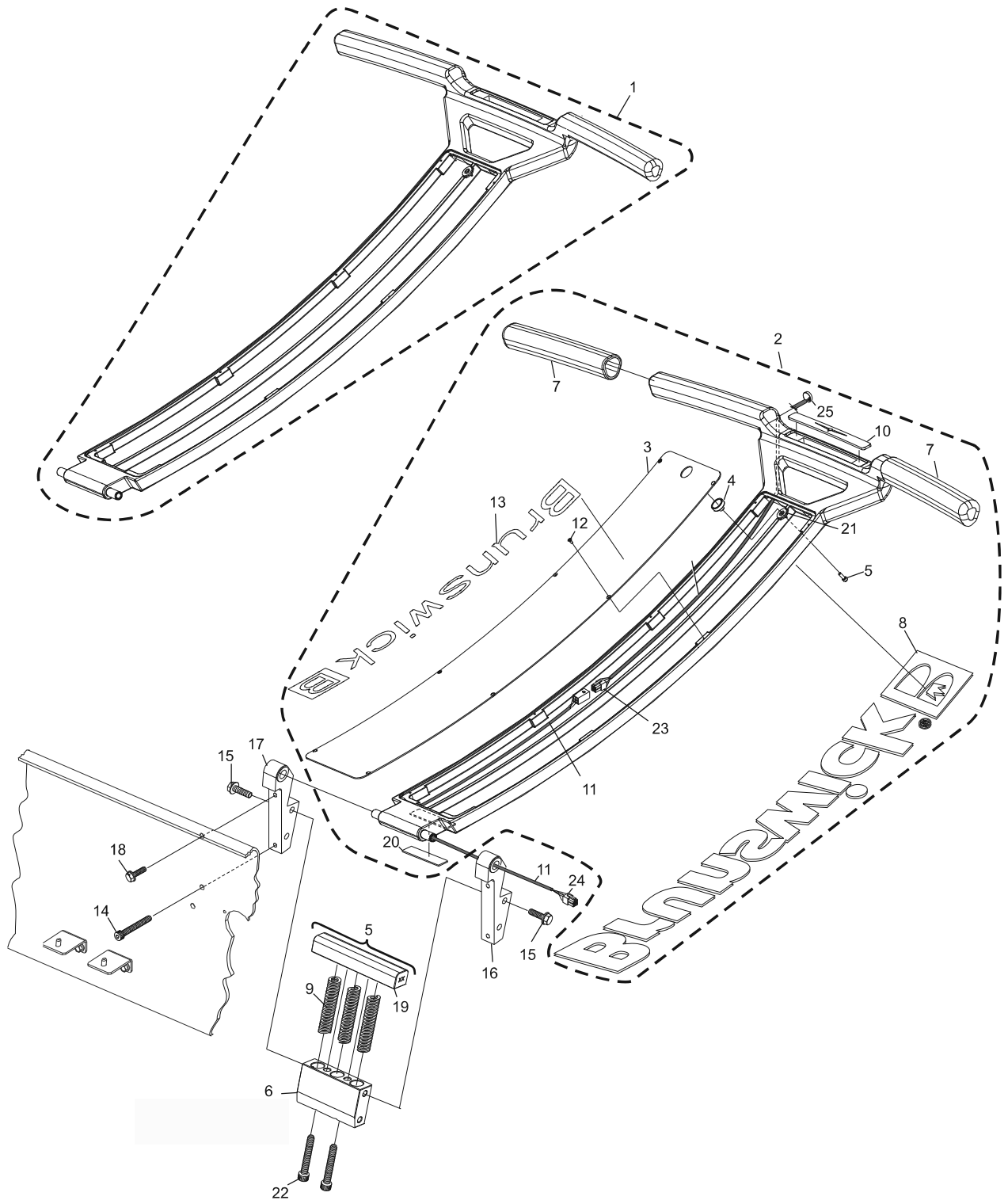


**Index**

<b>No.</b>	<b>Part No.</b>	<b>Description</b>
1.	14-101130-000	Handle w/Hinge Pins
2.	14-101132-000	Assembly, T-Handle Complete
3.	14-100376-001	Handle Cover Plate
4.	11-637202-000	Magnet
5.	11-004996-000	Socket Head Cap Screw (M4 x 12 mm)
6.	14-100142-000	Over Travel Block (lower)
7.	14-100012-001	Handle Grip
8.	14-100415-001	Decal - Raised Brunswick
9.	11-581050-000	Spring
10.	14-101137-000	Emblem
11.	14-101186-000	Cable - Button to Tablet
12.	11-014267-000	Flat Hd. C.R. Screw (#4-40 x 1/4")
13.	14-100941-000	Decal
14.	11-005272-015	Socket Head Cap Screw (5/16-18 x 2")
15.	11-010789-000	Hex Head Serrated Flange Screw (5/16-18 x 1-1/4")
16.	14-100134-002	Handle Hinge Bracket (left hand)
17.	14-100134-001	Handle Hinge Bracket (right hand)
18.	11-010783-000	Hex Head Serrated Flange Screw (5/16-18 x 3/4") Assembly
19.	14-100141-000	Over Travel Block (upper)
20.	84-200297-000	Double Sided Adhesive Foam Tape
21.	11-190012-015	Flat Washer (5/16")
22.	11-005353-015	Socket Head Cap Screw (3/8-16 x 2-1/4")
23.	11-680133-000	Connector Housing - 4 Position
24.	11-697856-000	Connector Housing - 8 Position
25.	14-101393-000	Lane Machine Button

**Handle System**



**Handle System**