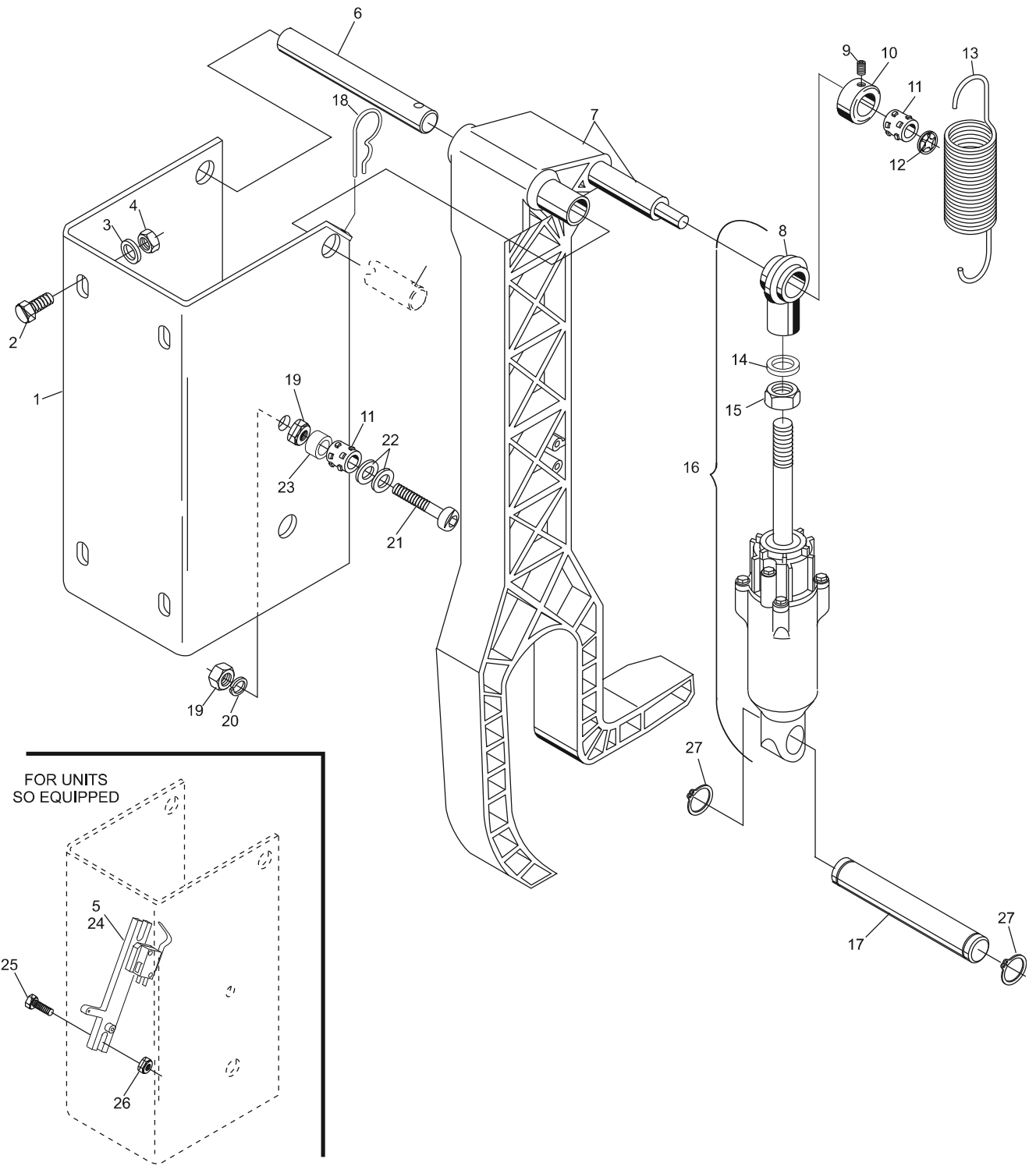


Index		
No.	Part No.	Description
1.	47-045372-003	Holder Support
2.	11-051038-001	Hex Hd. Cap Screw (8 mm x 16 mm)
3.	11-052003-001	Flat Washer (8.4 mm)
4.	11-051744-001	Locknut (8 mm)
5.	47-243027-004	Switch Assembly (silver box, consolidated and nexgen)
6.	47-045551-004	Top Shaft
7.	47-041816-001	Guide Hook
8.	99-040151-004	Connector Joint
9.	11-053101-000	Set Screw (6 mm x 8 mm)
10.	11-053616-001	Stop Collar (15 mm)
11.	47-041813-004	Bushing
12.	11-053480-001	Speed Nut (10 mm)
13.	47-081654-004	Tension Spring
14.	11-051772-001	Lockwasher (12 mm)
15.	11-053154-001	Jam Nut (12 mm)
16.	99-040400-002	N.A. Sweep Attenuator Hydraulic Complete
	99-046122-000	R.O. Hydraulic Sweep Wagon Assembly
17.	47-045484-004	Bottom Shaft (130 mm)
18.	11-054300-001	Cotter Pin (2 mm)
	11-054301-001	N.A. Hitch Pin (3 mm x 25 mm)
19.	11-051703-001	Hex Nut (10 mm)
20.	11-051771-001	Lockwasher (10 mm)
21.	11-051538-001	Socket Hd. Cap Screw (10 mm x 50 mm)
22.	11-052035-001	Flat Washer (10.5 mm)
23.	47-043583-004	Spacer
24.	99-050230-004	Switch (red box)
25.	11-052206-001	Cap Screw (4 mm x 25 mm)
26.	11-051741-001	Locknut (4 mm)
27.	11-051861-000	Retaining Ring (18 mm)

N.A. = No Longer Available
R.O. = Replacement Option

GS-X Sweep Attenuator Assembly



GS-X
Sweep Attenuator Assembly