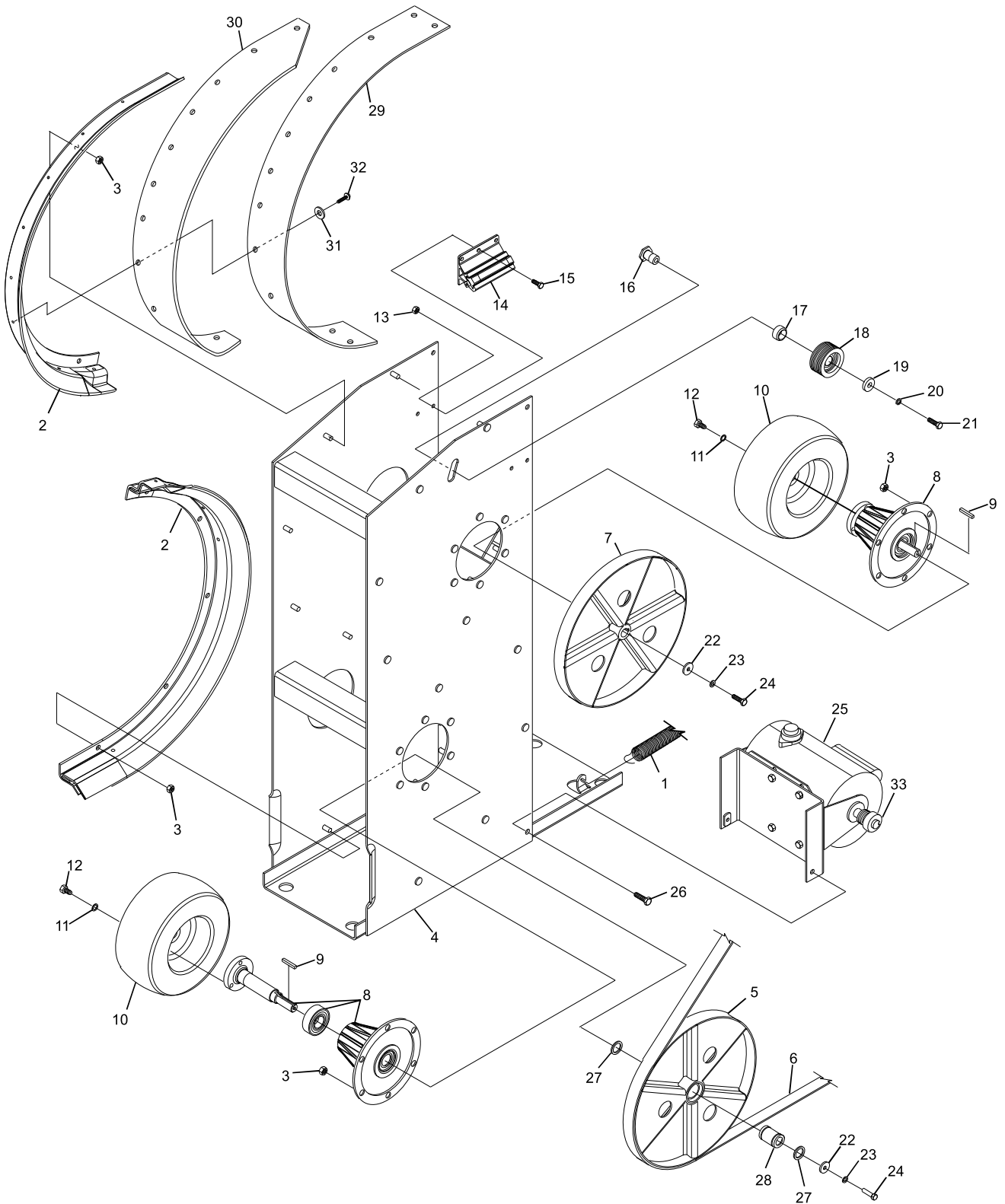


<b>Index No.</b>	<b>Part No.</b>	<b>Description</b>
1.	53-520234-000	Tension Spring
2.	53-520678-002	Ball Lift Track Assembly Right-Hand (upper and lower)
	*53-520679-002	Ball Lift Track Assembly Left-Hand (upper and lower)
3.	11-051744-001	Locknut (M8)
4.	53-520675-001	Ball Lift Weldment Assembly
5.	53-520663-001	Lower Pulley w/Bearing Assembly
6.	53-520230-002	"V" Belt
	53-520235-000	Belt (generic)
7.	53-520658-000	Ball Lift Upper Pulley
8.	53-520685-000	Ball Lift Bearing Housing
9.	10-620057-000	Square Key
10.	53-520060-000	Tire and Rim Assembly
11.	11-051770-001	Lockwasher (M8)
12.	11-051043-001	Hex Hd. Cap Screw, (M8 x 12 mm)
13.	11-051743-001	Hex Nut, Self-Locking, (M6)
14.	53-520073-000	Ball Transition Assembly
15.	11-051035-001	Hex Hd. Cap Screw, (M6 x 16 mm)
16.	53-520071-001	Bearing Stud
17.	53-520072-000	Spacer
18.	53-520244-001	Idler Assembly
19.	11-052018-001	Washer, Plain (10.5 mm x 21 mm x 2 mm)
20.	11-051771-001	Lockwasher (M10)
21.	11-051028-001	Hex Head Cap Screw, (M6 x 25 mm)
22.	11-052067-001	Washer, Plain, (7.4 mm x 22 mm x 2 mm)
23.	11-051769-001	Lockwasher, (M6)
24.	11-051028-001	Hex Hd. Cap Screw, (M6 x 25 mm)
25.	53-520704-001	Motor/Mount Bracket/Power Bracket Assembly
26.	11-051053-001	Hex Hd. Cap Screw, (M8 x 40 mm)
27.	11-051856-001	Retaining Ring
28.	53-520421-000	Inner Ring
29.	53-520421-001	Leather Track (right-hand or left-hand)
30.	53-520686-000	Rubber Track (right-hand or left-hand)
31.	11-190006-001	Washer, Plain (#10)
32.	11-081206-000	Truss Hd. Robertson Screw (10-24 x 5/8")
33.	53-520532-000	Poly V Sheave (1" Dia.)

\* Not Illustrated

## **Frameworkx Ball Lift (Mectric)**



**Frameworx Ball Lift  
(Metric)**